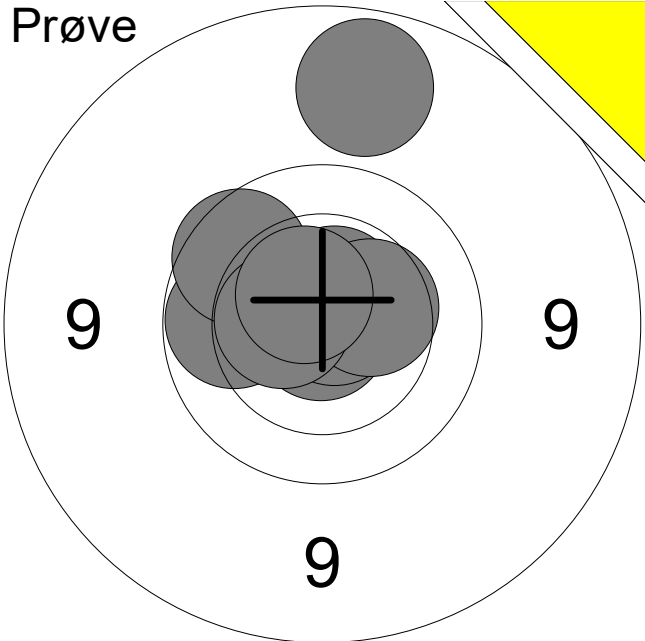
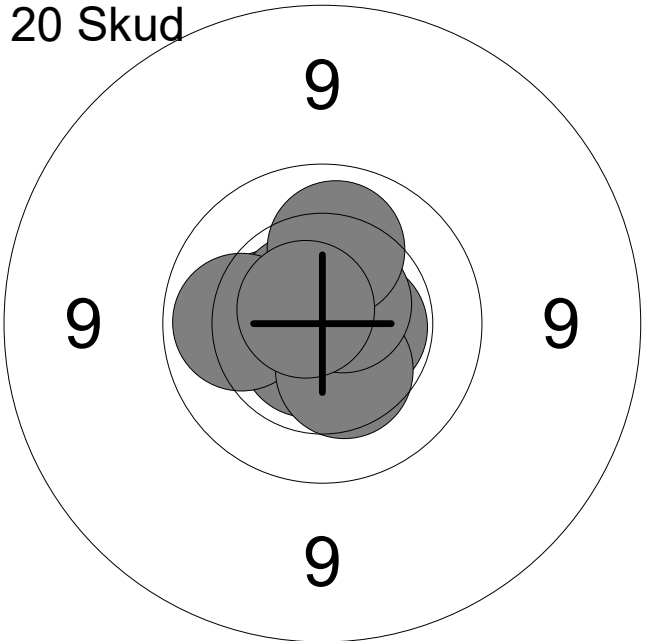
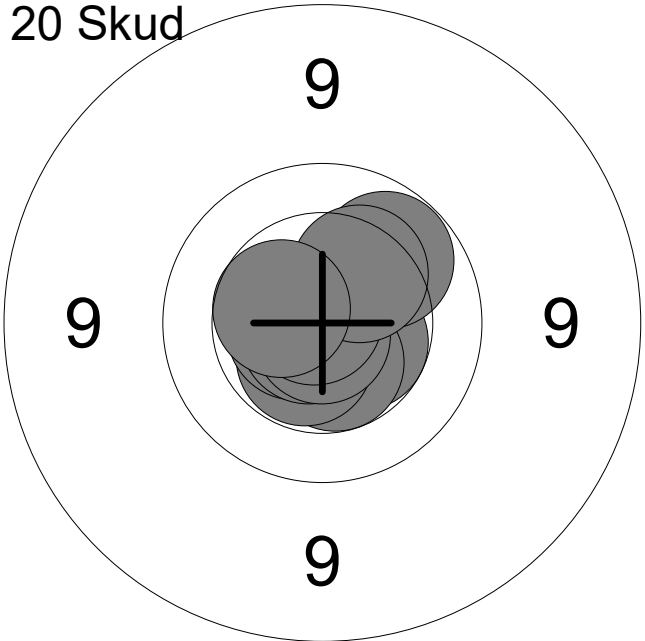
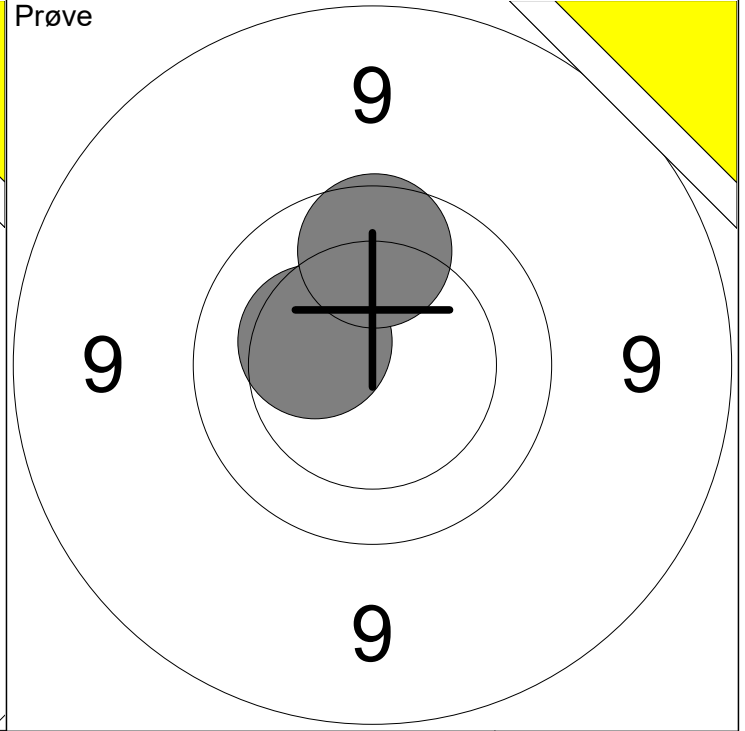
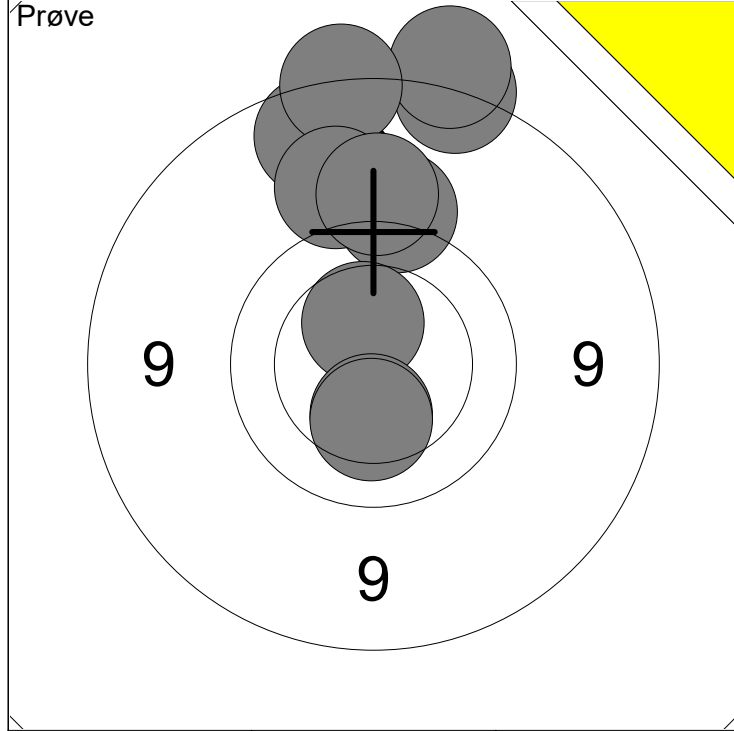
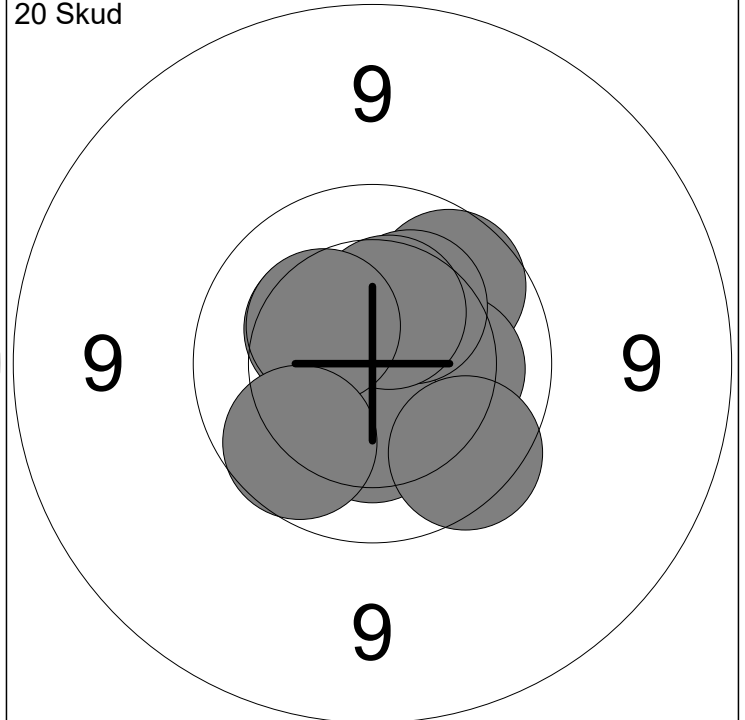
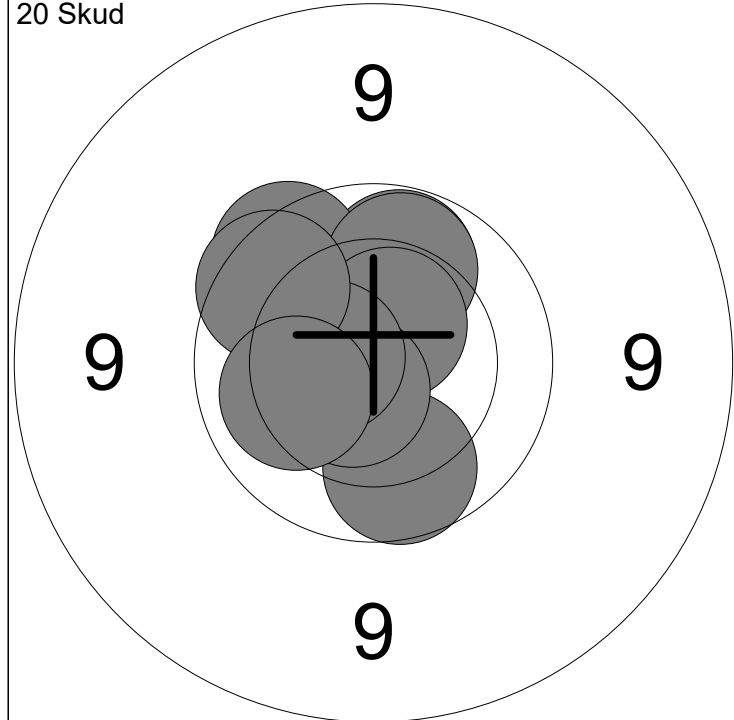


Hold <b>2</b>	Skive <b>12</b>	<b>Sebastian Ebert Soerensen</b>		
ØSF		Kreds 57, Ferslev, Skibby		J1
18.11.2024		Ølstykke Skydningen 2024		Ølstykke skytteforening
<b>Prøve</b> 		1:	9.0	↑
		2:	10.9x	↓
		3:	10.8x	↗
		4:	10.0	←
		5:	9.9	↖
		6:	10.6x	↑
		7:	10.4	↗
		8:	10.5x	←
		9:	10.6x	↖
		<b>Serie</b>	<b>88 ( 5x)</b>	
		<b>Total</b>	<b>0 ( 0x)</b>	
<b>20 Skud</b> 		1:	10.4	←
		2:	10.6x	↓
		3:	10.6x	↗
		4:	10.1	←
		5:	10.6x	↘
		6:	10.5x	→
		7:	10.4	↓
		8:	10.6x	↗
		9:	10.1	↑
		10:	10.7x	↖
		<b>Serie</b>	<b>100 ( 6x)</b>	
		<b>Total</b>	<b>100 ( 6x)</b>	
<b>20 Skud</b> 		11:	10.5x	↘
		12:	10.5	↓
		13:	10.5x	↓
		14:	10.6x	←
		15:	10.7x	↖
		16:	10.8x	↓
		17:	10.8x	↖
		18:	10.0	↗
		19:	10.3	↗
		20:	10.5	←
		<b>Serie</b>	<b>100 ( 6x)</b>	
		<b>Total</b>	<b>200 (12x)</b>	



1: 8.7 ↑	6: 9.3 ↑	Serie	89 (0x)
2: 8.6 ↑	7: 9.3 ↑		
3: 8.9 ↑	8: 10.4 ↑	Total	0 (0x)
4: 8.7 ↑	9: 10.3 ↓		
5: 9.4 ↑	10: 10.3 ↓		

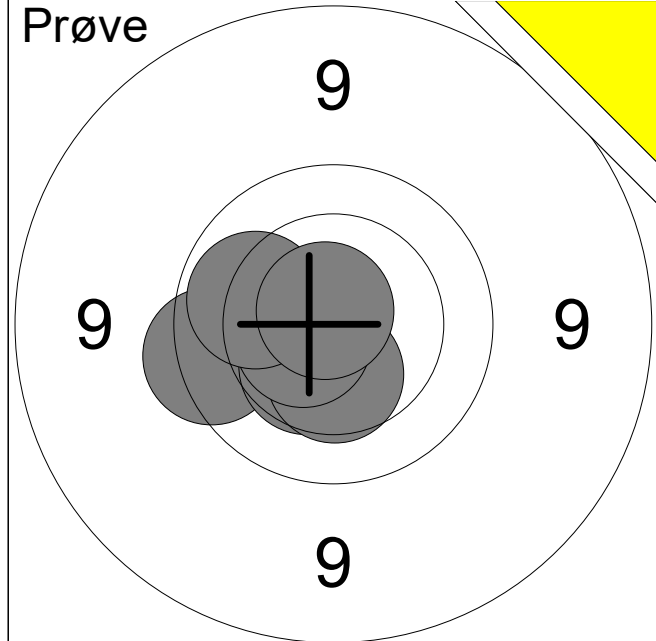
11: 10.3 ←	Serie	19 (0x)
12: 9.9 ↑		
	Total	0 (0x)



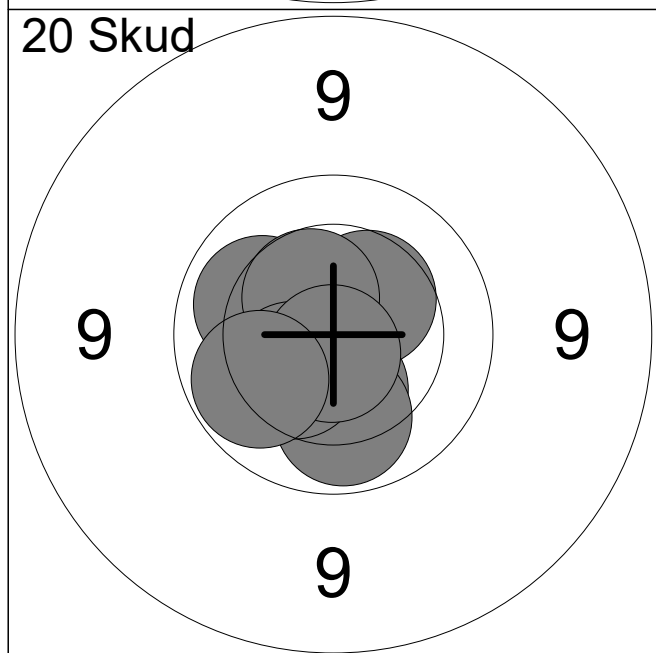
1: 10.0 ↑	6: 10.5x ↑	Serie	97 (4x)
2: 10.6x ↑	7: 10.6x ↓		
3: 9.8 ↖	8: 10.5x ←	Total	97 (4x)
4: 10.0 ↑	9: 9.8 ↖		
5: 9.9 ↓	10: 10.1 ←		

11: 9.9 ↗	16: 10.3 ↗	Serie	97 (1x)
12: 10.8x ↓	17: 10.4 ↑		
13: 10.3 ↖	18: 10.3 ↖	Total	194 (5x)
14: 10.2 →	19: 9.9 ↓		
15: 10.3 ↓	20: 9.8 ↘		

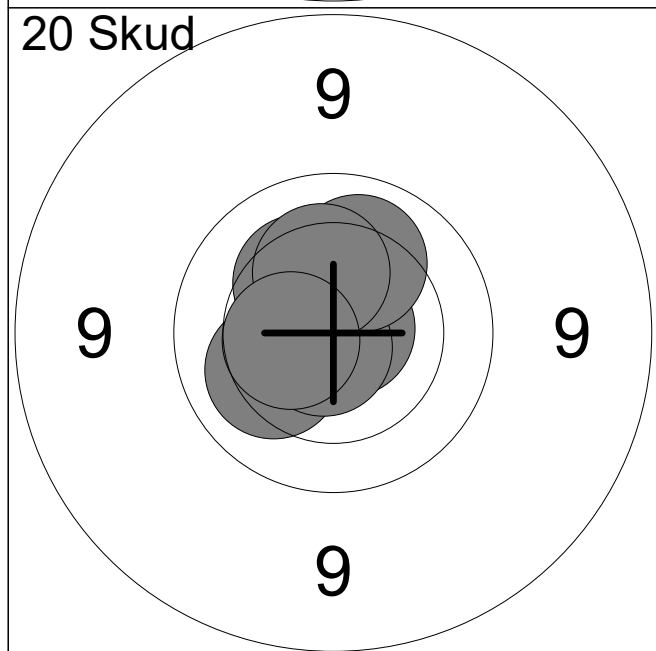
Hold <b>3</b>	Skive <b>5</b>	<b>Malou Schmidt-Larsen</b>																																
ØSF		Ølstykke Skytteforening		J2																														
18.11.2024		Ølstykke Skydningen 2024		Ølstykke skytteforening																														
<b>Prøve</b>		<table border="0"> <tr><td>1:</td><td>10.0</td><td>↙</td></tr> <tr><td>2:</td><td>10.7x</td><td>↗</td></tr> <tr><td>3:</td><td>10.7x</td><td>↖</td></tr> <tr><td>4:</td><td>10.4</td><td>↖</td></tr> <tr><td>5:</td><td>10.6x</td><td>↖</td></tr> </table>			1:	10.0	↙	2:	10.7x	↗	3:	10.7x	↖	4:	10.4	↖	5:	10.6x	↖															
1:	10.0	↙																																
2:	10.7x	↗																																
3:	10.7x	↖																																
4:	10.4	↖																																
5:	10.6x	↖																																
		Serie		50 ( 3x)																														
		Total		0 ( 0x)																														
<b>20 Skud</b>		<table border="0"> <tr><td>1:</td><td>10.7x</td><td>↖</td></tr> <tr><td>2:</td><td>10.5</td><td>→</td></tr> <tr><td>3:</td><td>10.3</td><td>↖</td></tr> <tr><td>4:</td><td>10.7x</td><td>↓</td></tr> <tr><td>5:</td><td>10.7x</td><td>↖</td></tr> <tr><td>6:</td><td>10.1</td><td>↗</td></tr> <tr><td>7:</td><td>10.6x</td><td>↓</td></tr> <tr><td>8:</td><td>10.4</td><td>↑</td></tr> <tr><td>9:</td><td>10.9x</td><td>↘</td></tr> <tr><td>10:</td><td>10.9x</td><td>↑</td></tr> </table>			1:	10.7x	↖	2:	10.5	→	3:	10.3	↖	4:	10.7x	↓	5:	10.7x	↖	6:	10.1	↗	7:	10.6x	↓	8:	10.4	↑	9:	10.9x	↘	10:	10.9x	↑
1:	10.7x	↖																																
2:	10.5	→																																
3:	10.3	↖																																
4:	10.7x	↓																																
5:	10.7x	↖																																
6:	10.1	↗																																
7:	10.6x	↓																																
8:	10.4	↑																																
9:	10.9x	↘																																
10:	10.9x	↑																																
		Serie		100 ( 6x)																														
		Total		100 ( 6x)																														
<b>20 Skud</b>		<table border="0"> <tr><td>11:</td><td>10.2</td><td>↖</td></tr> <tr><td>12:</td><td>10.6x</td><td>↑</td></tr> <tr><td>13:</td><td>10.8x</td><td>↘</td></tr> <tr><td>14:</td><td>10.4</td><td>↓</td></tr> <tr><td>15:</td><td>10.2</td><td>↓</td></tr> <tr><td>16:</td><td>10.6x</td><td>↘</td></tr> <tr><td>17:</td><td>10.4</td><td>→</td></tr> <tr><td>18:</td><td>10.4</td><td>↘</td></tr> <tr><td>19:</td><td>10.4</td><td>↑</td></tr> <tr><td>20:</td><td>10.4</td><td>↑</td></tr> </table>			11:	10.2	↖	12:	10.6x	↑	13:	10.8x	↘	14:	10.4	↓	15:	10.2	↓	16:	10.6x	↘	17:	10.4	→	18:	10.4	↘	19:	10.4	↑	20:	10.4	↑
11:	10.2	↖																																
12:	10.6x	↑																																
13:	10.8x	↘																																
14:	10.4	↓																																
15:	10.2	↓																																
16:	10.6x	↘																																
17:	10.4	→																																
18:	10.4	↘																																
19:	10.4	↑																																
20:	10.4	↑																																
		Serie		100 ( 3x)																														
		Total		200 ( 9x)																														



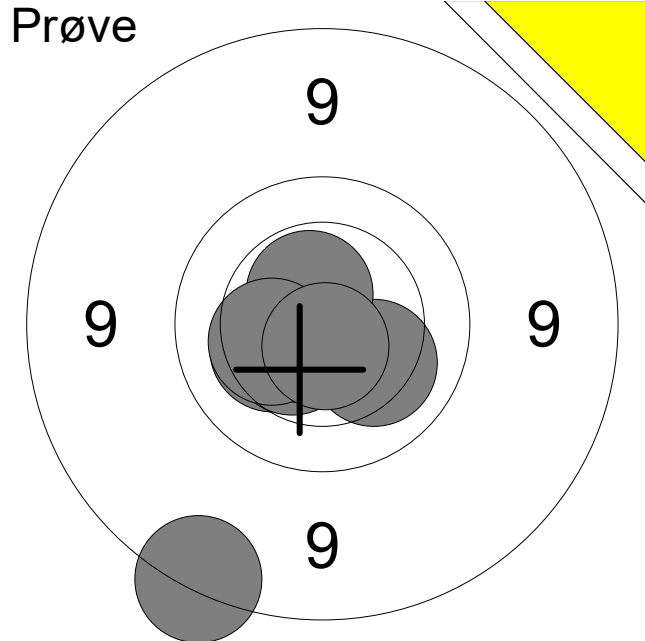
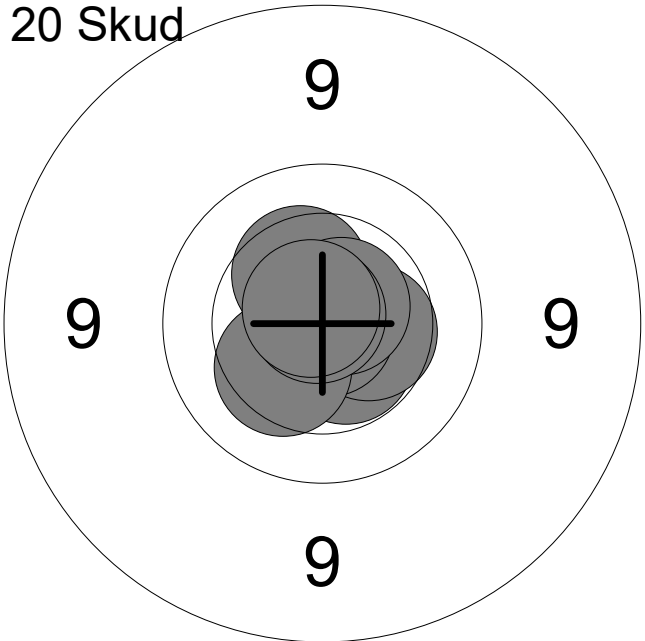
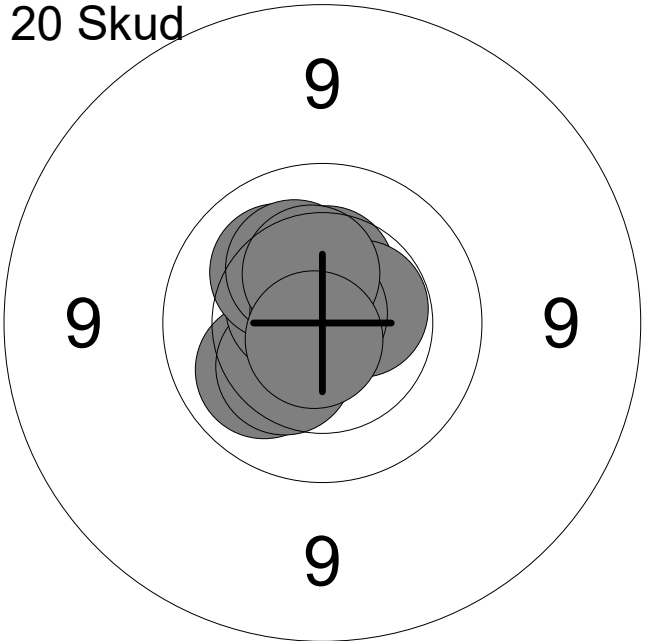
1:	9.7	←
2:	10.4	↓
3:	10.4	↓
4:	10.6x	←
5:	10.0	←
6:	10.8x	↗
<b>Serie</b>		<b>59 ( 2x)</b>
<b>Total</b>		<b>0 ( 0x)</b>

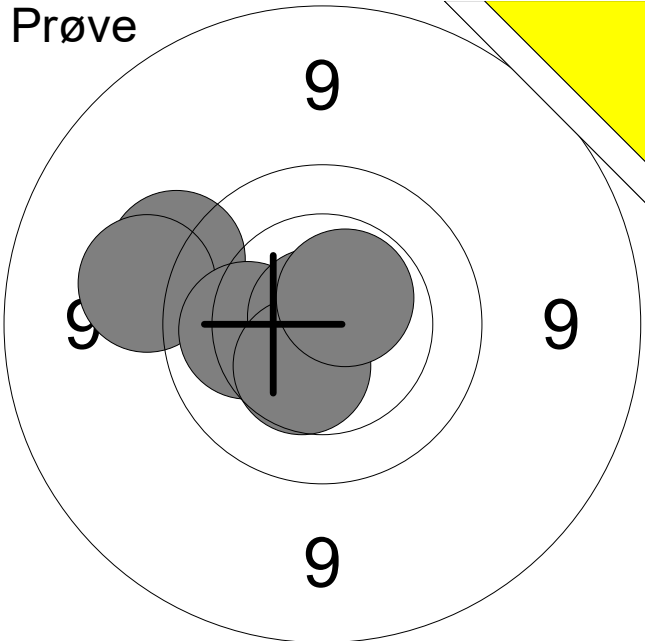
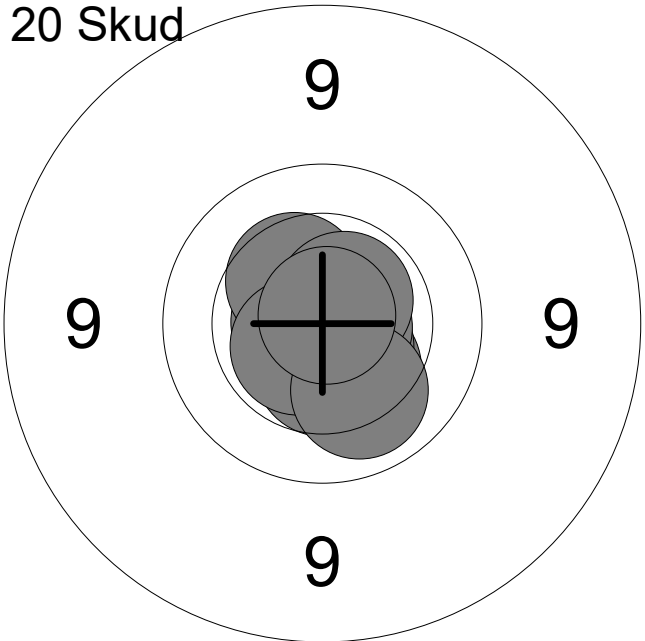
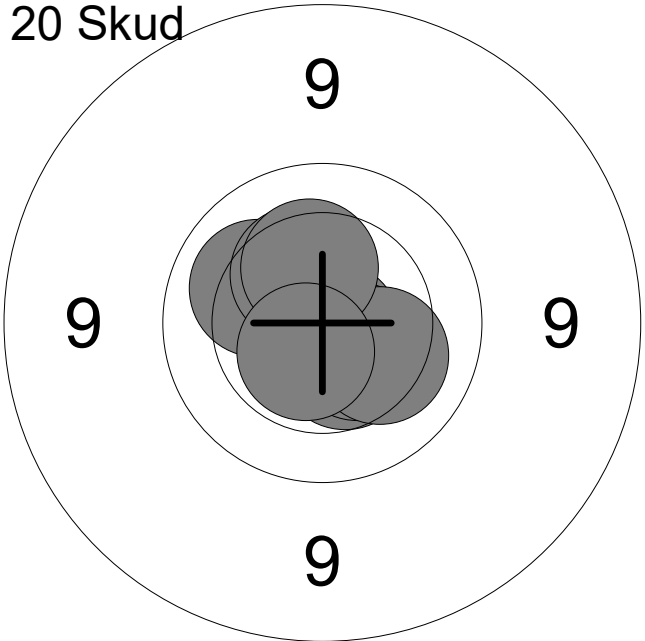


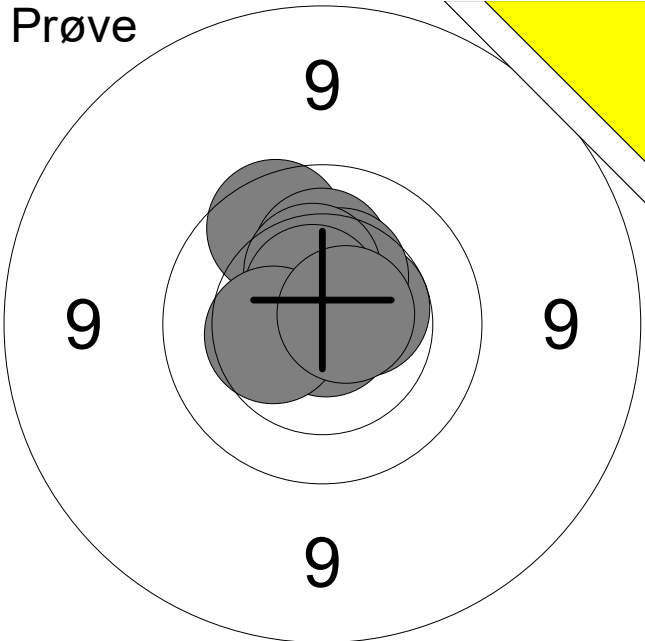
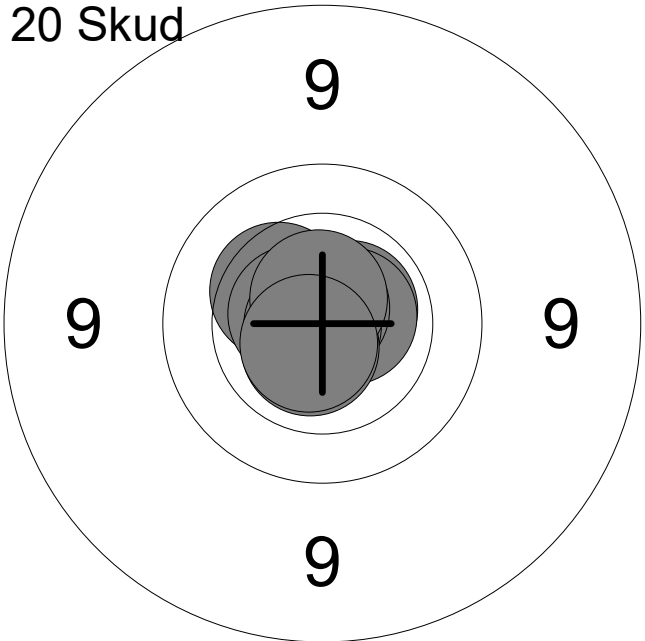
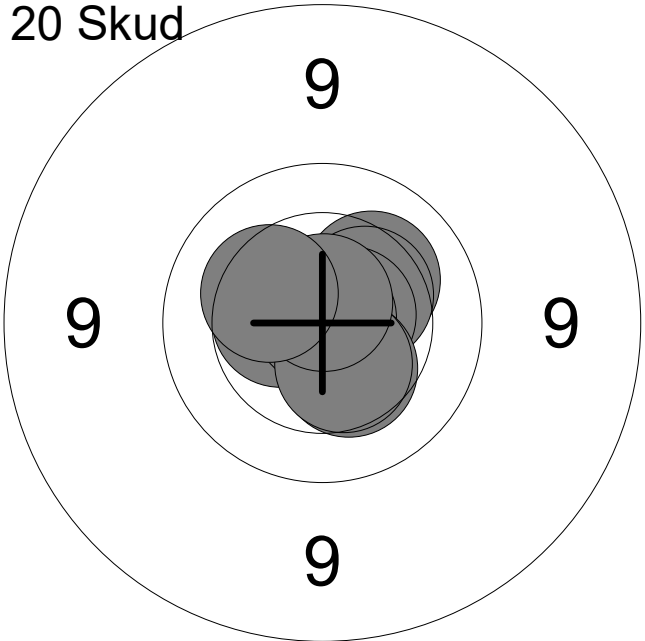
1:	10.8x	↖
2:	10.7x	↗
3:	10.3	↓
4:	10.0	↓
5:	10.1	←
6:	10.4	↗
7:	10.5	↗
8:	10.4	←
9:	10.7x	↓
10:	10.0	←
<b>Serie</b>		<b>100 ( 3x)</b>
<b>Total</b>		<b>100 ( 3x)</b>

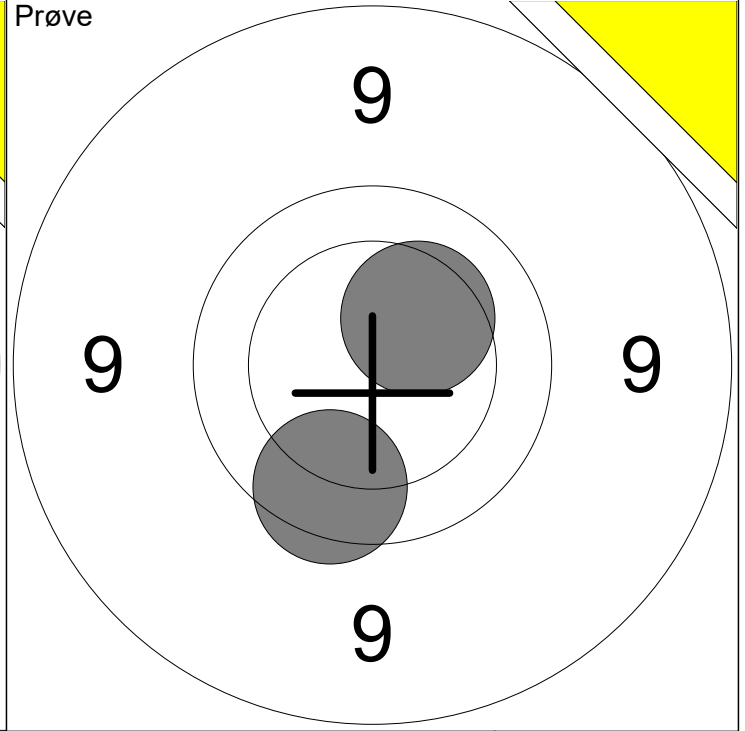
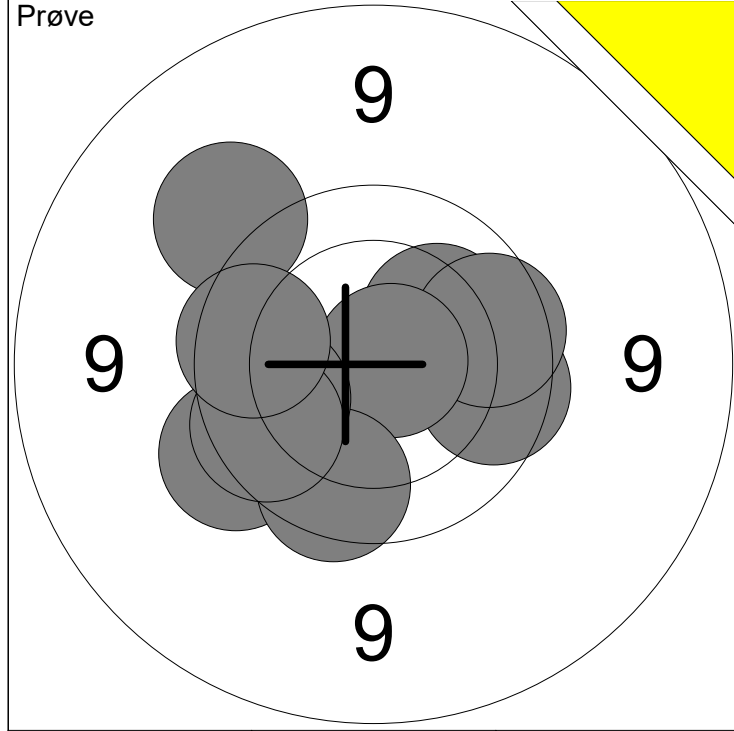


11:	10.6x	↖
12:	10.2	←
13:	10.8x	→
14:	10.7x	←
15:	10.5x	←
16:	10.3	↗
17:	10.8x	↓
18:	10.1	↗
19:	10.3	↑
20:	10.5	←
<b>Serie</b>		<b>100 ( 5x)</b>
<b>Total</b>		<b>200 ( 8x)</b>

Hold <b>3</b>	Skive <b>10</b>	<b>Dicte Christine Moeller</b>		
ØSF		Frederikssund Skytteforening, I		Å1
18.11.2024		Ølstykke Skydningen 2024	Ølstykke skytteforening	
<b>Prøve</b> 		1: 8.7 ↓ 2: 10.3 ← 3: 10.2 ↘ 4: 10.5 ↘ 5: 10.6x ← 6: 10.6x ↑ 7: 10.3 ← 8: 10.7x ↓		
		<b>Serie</b>		<b>78 ( 3x)</b>
		<b>Total</b>		<b>0 ( 0x)</b>
<b>20 Skud</b> 		1: 10.4 ↑ 2: 10.8x → 3: 10.7x → 4: 10.5x ↓ 5: 10.4 → 6: 10.9x ↓ 7: 10.3 ↓ 8: 10.7x ↗ 9: 10.8x ↑ 10: 10.7x ↑		
		<b>Serie</b>		<b>100 ( 7x)</b>
		<b>Total</b>		<b>100 ( 7x)</b>
<b>20 Skud</b> 		11: 10.1 ← 12: 10.3 ↓ 13: 10.6x ↗ 14: 10.2 ↗ 15: 10.4 ↑ 16: 10.5x → 17: 10.3 ↗ 18: 10.8x ↗ 19: 10.4 ↑ 20: 10.7x ↓		
		<b>Serie</b>		<b>100 ( 4x)</b>
		<b>Total</b>		<b>200 (11x)</b>

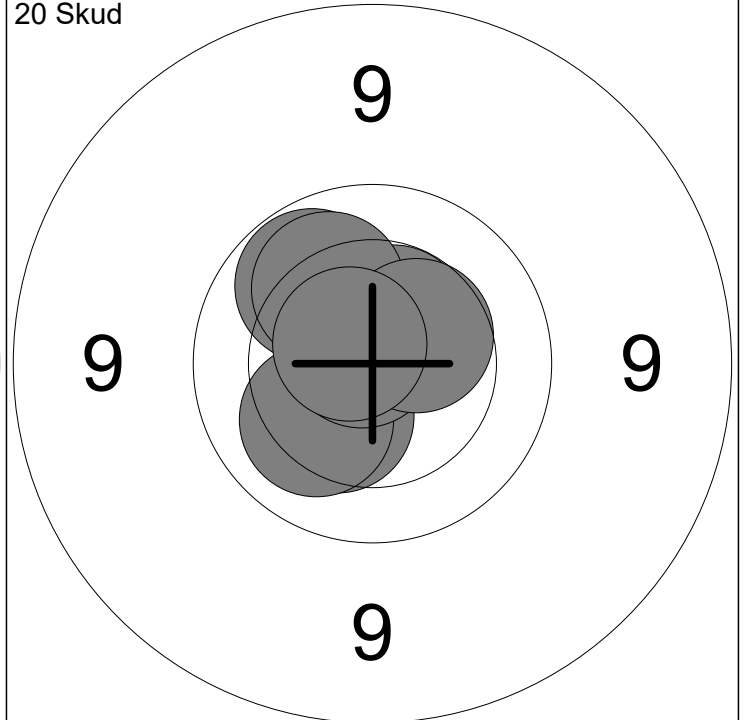
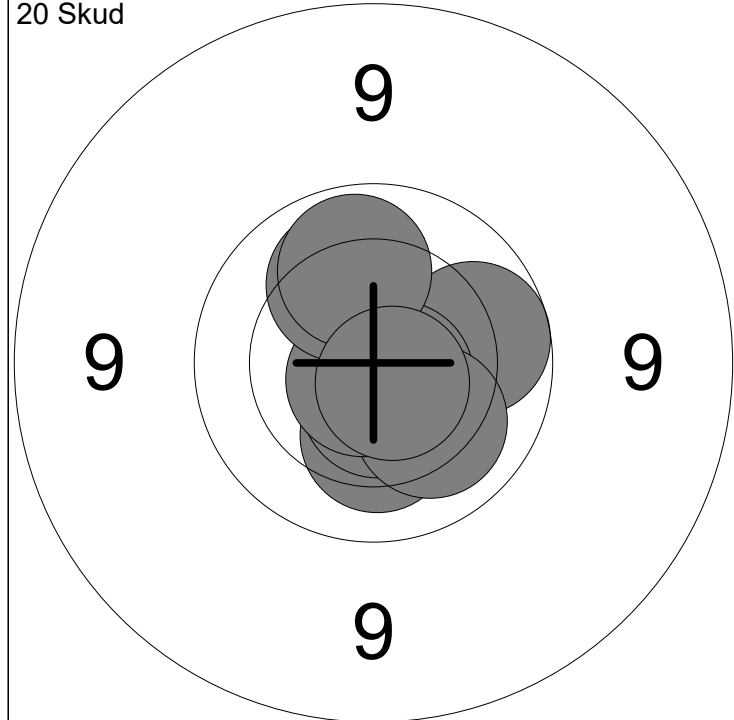
Hold <b>3</b>	Skive <b>11</b>	<b>Sandra Youden</b>		
ØSF		Frederikssund Skytteforening, I		Å1
18.11.2024		Ølstykke Skydningen 2024	Ølstykke skytteforening	
<b>Prøve</b> 		1: 9.5 ↖ 2: 9.4 ← 3: 10.1 ← 4: 10.8x ↗ 5: 10.4 ↘ 6: 10.6x ↗		
		Serie		58 ( 2x)
		Total		0 ( 0x)
<b>20 Skud</b> 		1: 10.5 ↓ 2: 10.4 ↓ 3: 10.7x ← 4: 10.6x ↘ 5: 10.7x → 6: 10.4 ↗ 7: 10.6x ↗ 8: 10.6x ↘ 9: 10.1 ↓ 10: 10.8x ↗		
		Serie		100 ( 6x)
		Total		100 ( 6x)
<b>20 Skud</b> 		11: 10.7x ← 12: 10.1 ↗ 13: 10.8x ↘ 14: 10.8x ↘ 15: 10.5 ↘ 16: 10.4 ↘ 17: 10.2 ↘ 18: 10.4 ↗ 19: 10.3 ↗ 20: 10.6x ↘		
		Serie		100 ( 4x)
		Total		200 ( 10x)

Hold <b>3</b>	Skive <b>12</b>	<b>Claus Soares Petersen</b>		
ØSF		Frederikssund Skytteforening, I		Å1
18.11.2024		Ølstykke Skydningen 2024	Ølstykke skytteforening	
<b>Prøve</b> 		1: 9.8 ↗ 2: 10.9x ↘ 3: 10.5 → 4: 10.7x ↗ 5: 10.2 ↑ 6: 10.4 ↗ 7: 10.4 ↑ 8: 10.6x ↗ 9: 10.4 ← 10: 10.7x →		
		Serie		99 ( 4x)
		Total		0 ( 0x)
<b>20 Skud</b> 		1: 10.3 ↖ 2: 10.6x → 3: 10.8x ↑ 4: 10.6x ← 5: 10.7x → 6: 10.8x ↑ 7: 10.8x ← 8: 10.7x ↘ 9: 10.7x ↑ 10: 10.7x ↘		
		Serie		100 ( 9x)
		Total		100 ( 9x)
<b>20 Skud</b> 		11: 10.2 ↗ 12: 10.4 ↗ 13: 10.7x → 14: 10.5 ← 15: 10.9x ↗ 16: 10.4 ↘ 17: 10.9x ↑ 18: 10.4 ↘ 19: 10.7x ↑ 20: 10.3 ↖		
		Serie		100 ( 4x)
		Total		200 ( 13x)



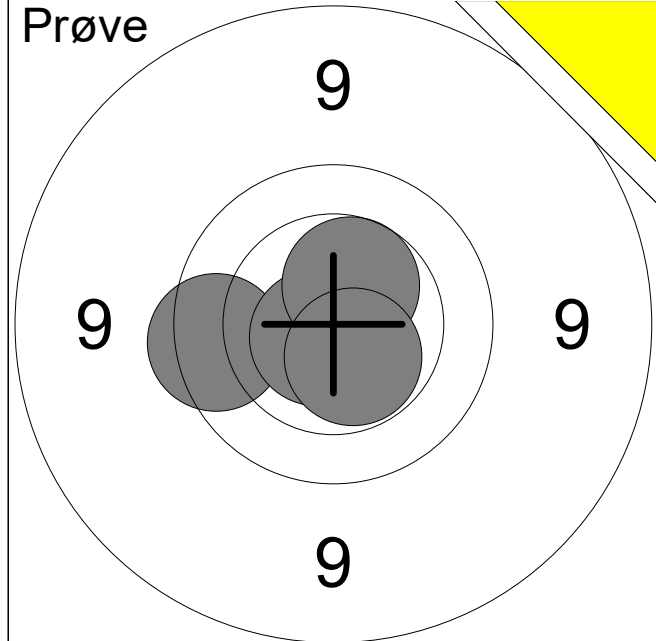
1: 10.2 ↗	6: 10.8x →	Serie	92 ( 1x)
2: 9.8 →	7: 9.8 ↓		
3: 9.4 ↗	8: 9.9 ←	Total	0 ( 0x)
4: 9.6 ↙	9: 9.8 ←		
5: 9.8 →	10: 9.8 ←		

11: 10.3 ↗	Serie	19 ( 0x)
12: 9.8 ↓		
Total		0 ( 0x)

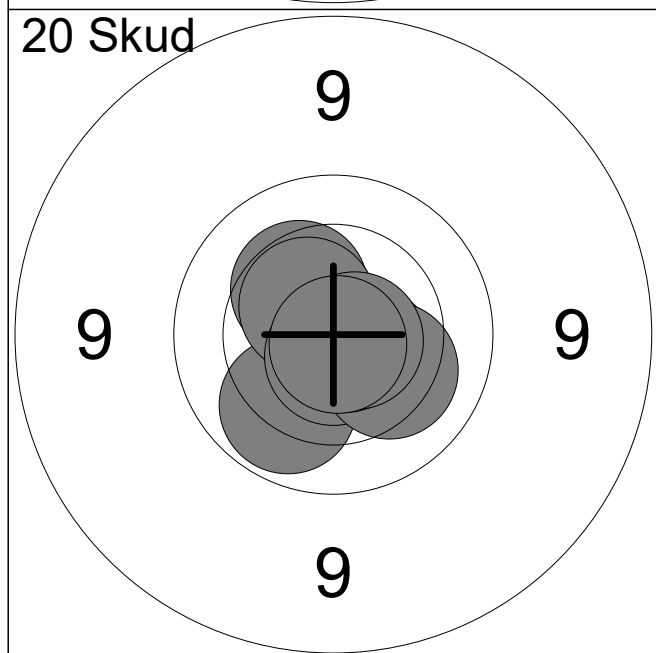


1: 10.2 ↓	6: 10.2 ↓	Serie	99 ( 4x)
2: 10.3 →	7: 10.8x ↙		
3: 9.9 →	8: 10.1 ↗	Total	99 ( 4x)
4: 10.6x ↓	9: 10.0 ↗		
5: 10.7x ↘	10: 10.7x ↓		

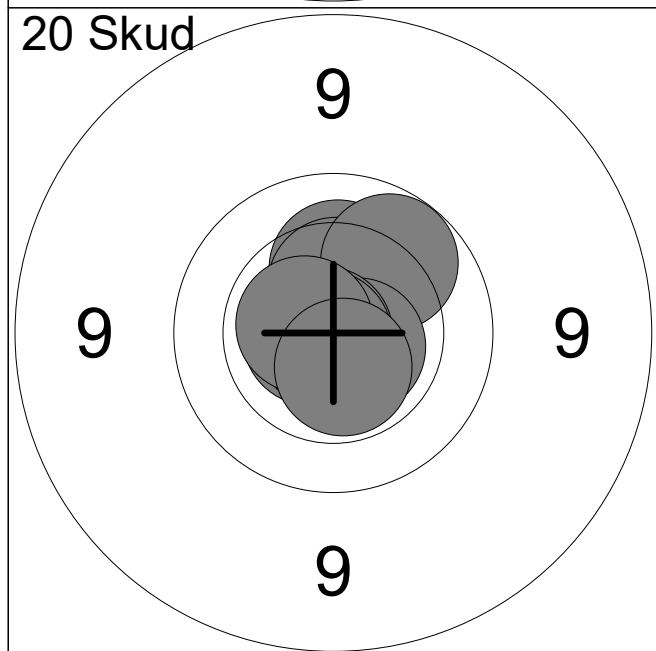
11: 10.7x ↗	16: 10.8x ↙	Serie	100 ( 5x)
12: 10.8x ←	17: 10.5x ↗		
13: 10.3 ↓	18: 10.1 ↙	Total	199 ( 9x)
14: 10.2 ↙	19: 10.4 ↗		
15: 10.0 ↗	20: 10.7x ↙		



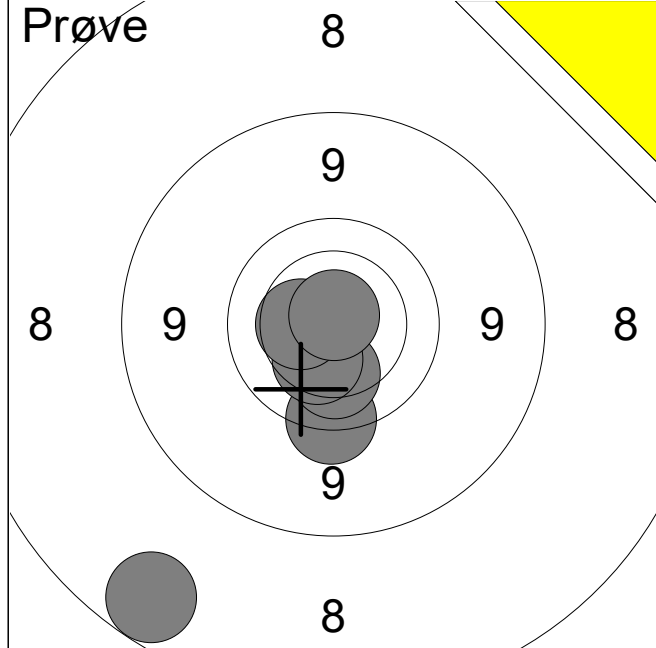
1:	9.8	←
2:	10.7x	↙
3:	10.5	↗
4:	10.5x	↘
<b>Serie</b>		<b>39 ( 2x)</b>
<b>Total</b>		<b>0 ( 0x)</b>



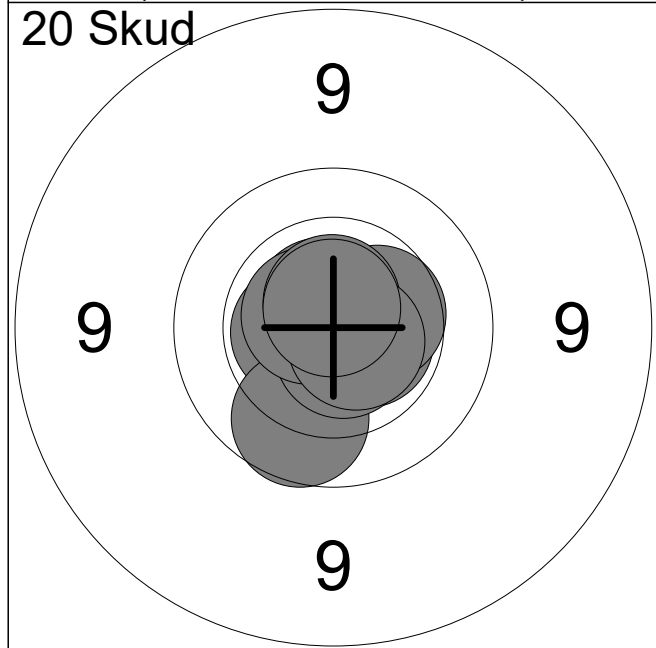
1:	10.8x	↘
2:	10.0	↙
3:	10.3	↗
4:	10.5x	↘
5:	10.5x	↗
6:	10.7x	↘
7:	10.2	↘
8:	10.8x	↘
9:	10.7x	→
10:	10.8x	↘
<b>Serie</b>		<b>100 ( 7x)</b>
<b>Total</b>		<b>100 ( 7x)</b>



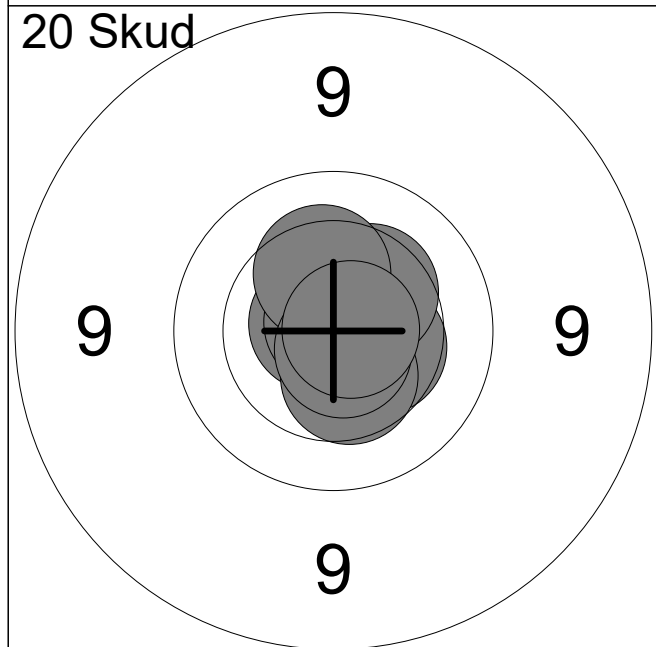
11:	10.7x	←
12:	10.8x	↗
13:	10.2	↑
14:	10.4	↑
15:	10.0	↗
16:	10.6x	↘
17:	10.9x	←
18:	10.8x	←
19:	10.6x	←
20:	10.6x	↘
<b>Serie</b>		<b>100 ( 7x)</b>
<b>Total</b>		<b>200 (14x)</b>



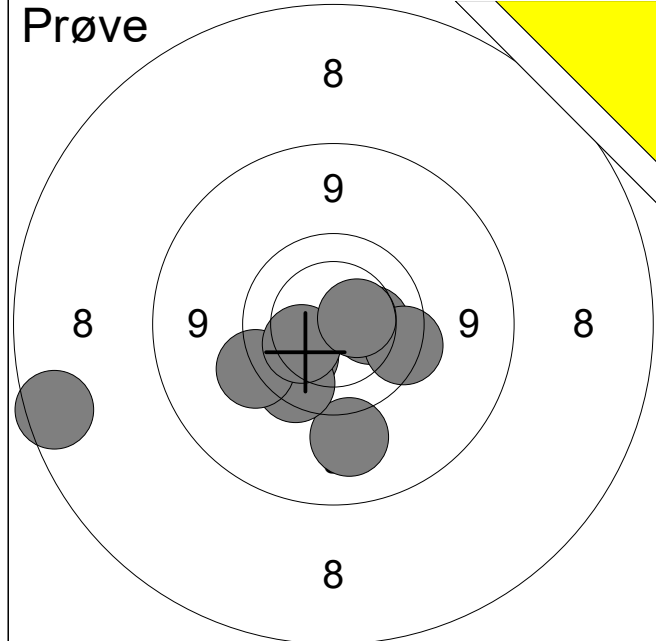
1:	8.0	↙
2:	9.6	↓
3:	10.1	↓
4:	10.3	↙
5:	10.4	←
6:	10.8x	↑
<b>Serie</b>		<b>57 ( 1x)</b>
<b>Total</b>		<b>0 ( 0x)</b>



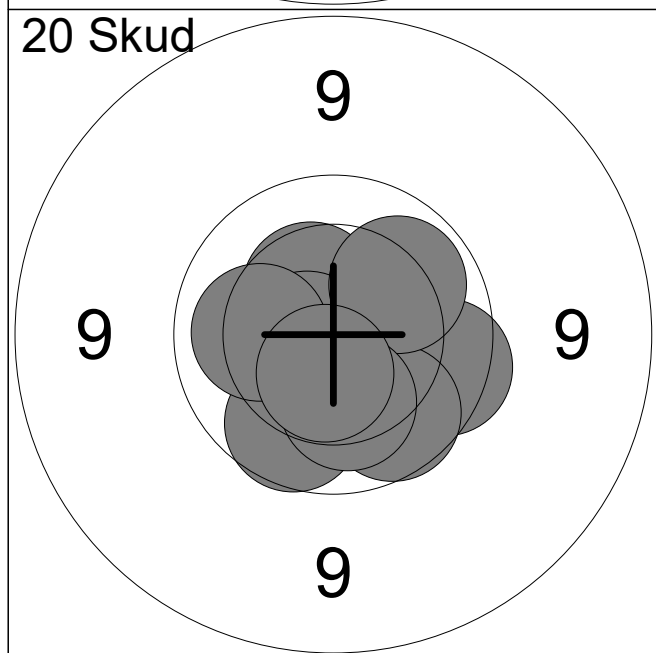
1:	10.6x	←
2:	10.7x	↗
3:	9.9	↓
4:	10.6x	↘
5:	10.7x	↓
6:	10.4	→
7:	10.7x	↖
8:	10.7x	↑
9:	10.7x	↘
10:	10.7x	↑
<b>Serie</b>		<b>99 ( 8x)</b>
<b>Total</b>		<b>99 ( 8x)</b>



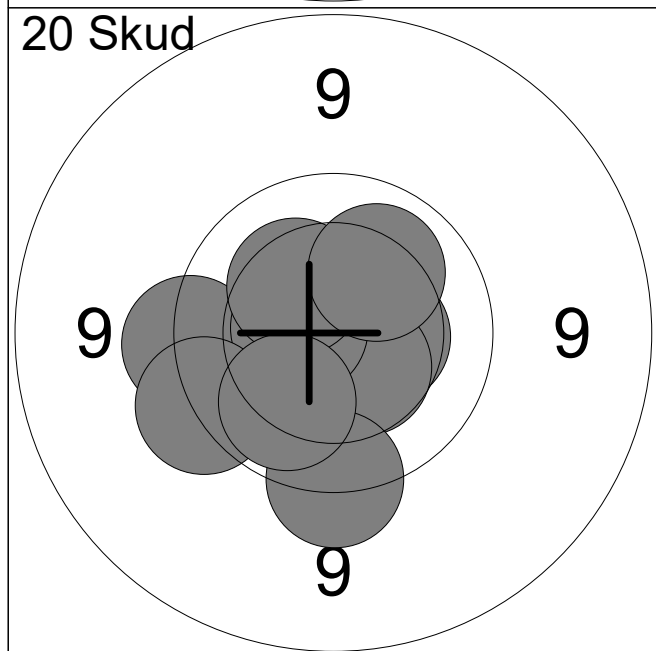
11:	10.7x	↗
12:	10.4	↘
13:	10.8x	↖
14:	10.4	↓
15:	10.7x	↑
16:	10.4	↗
17:	10.9x	↑
18:	10.3	↑
19:	10.7x	↓
20:	10.8x	→
<b>Serie</b>		<b>100 ( 6x)</b>
<b>Total</b>		<b>199 (14x)</b>



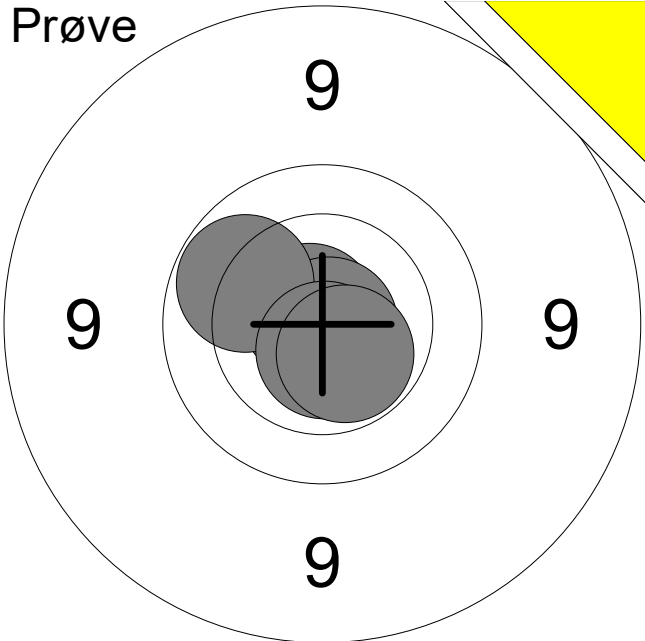
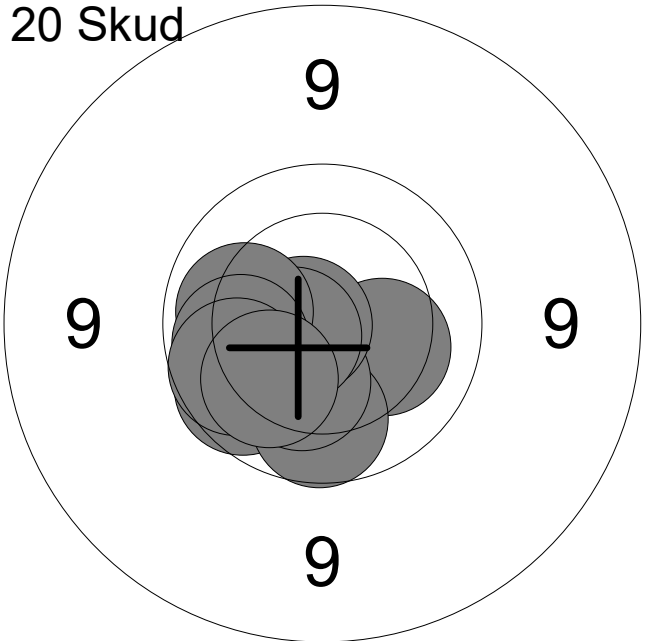
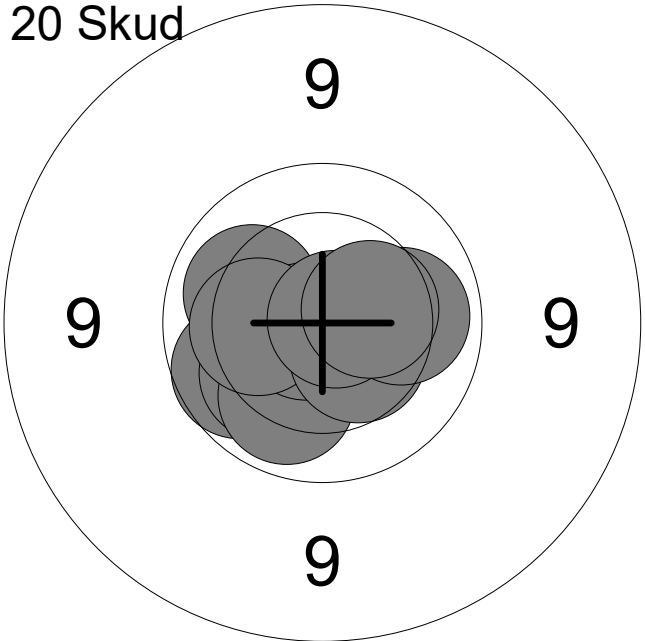
1:	9.3	↓
2:	10.0	↙
3:	10.2	→
4:	9.7	↘
5:	9.5	↙
6:	7.9	←
7:	10.2	↙
8:	9.7	→
9:	10.5	→
<b>Serie</b>		<b>83 ( 0x)</b>
<b>Total</b>		<b>0 ( 0x)</b>

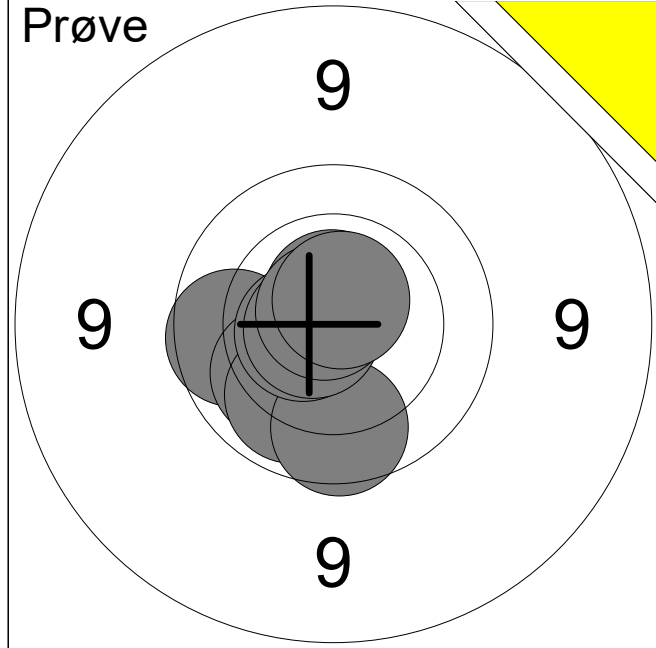


1:	10.6x	↗
2:	10.4	↗
3:	9.8	→
4:	9.9	↘
5:	10.7x	←
6:	10.1	↗
7:	9.9	↘
8:	10.2	↘
9:	10.1	←
10:	10.5x	↘
<b>Serie</b>		<b>97 ( 3x)</b>
<b>Total</b>		<b>97 ( 3x)</b>

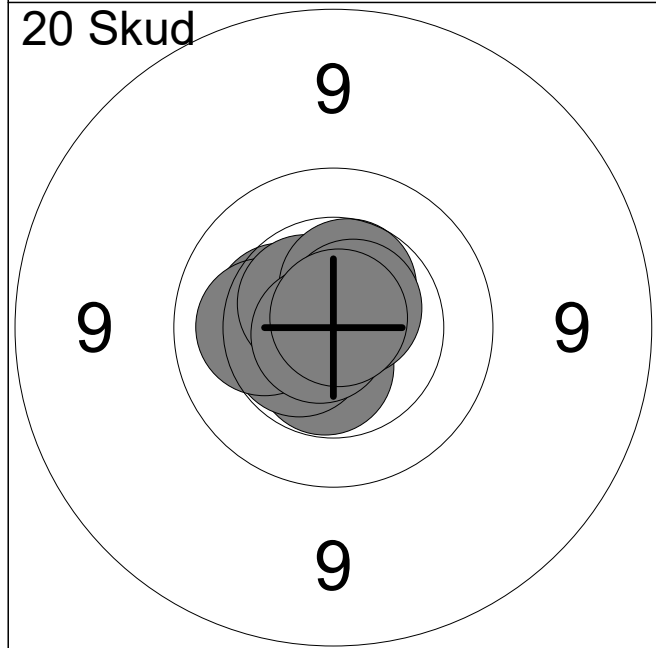


11:	10.5	←
12:	9.6	←
13:	10.4	→
14:	10.4	↘
15:	10.6x	←
16:	10.3	↗
17:	9.6	↘
18:	10.1	↗
19:	9.6	↙
20:	10.0	↘
<b>Serie</b>		<b>97 ( 1x)</b>
<b>Total</b>		<b>194 ( 4x)</b>

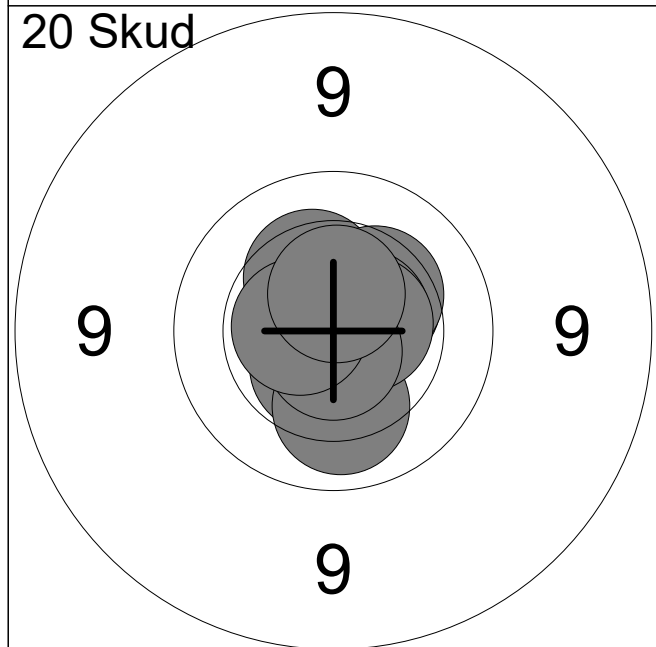
Hold <b>4</b>	Skive <b>10</b>	<b>Erik Nissen</b>		
ØSF		Frederikssund Skytteforening, I		BK1
18.11.2024		Ølstykke Skydningen 2024	Ølstykke skytteforening	
<b>Prøve</b> 		1: 10.8x ↗ 2: 10.9x → 3: 10.0 ↗ 4: 10.7x ↓ 5: 10.5x ↓		
		Serie		50 ( 4x)
		Total		0 ( 0x)
<b>20 Skud</b> 		1: 10.2 → 2: 9.9 ↙ 3: 9.9 ↓ 4: 10.3 ↓ 5: 10.7x ← 6: 10.6x ← 7: 10.1 ← 8: 10.0 ← 9: 9.9 ↙ 10: 10.1 ↙		
		Serie		97 ( 2x)
		Total		97 ( 2x)
<b>20 Skud</b> 		11: 9.9 ↙ 12: 10.1 ↙ 13: 10.1 ↓ 14: 10.1 ↙ 15: 10.8x ← 16: 10.2 ← 17: 10.4 ↓ 18: 10.8x → 19: 10.1 → 20: 10.4 →		
		Serie		99 ( 2x)
		Total		196 ( 4x)



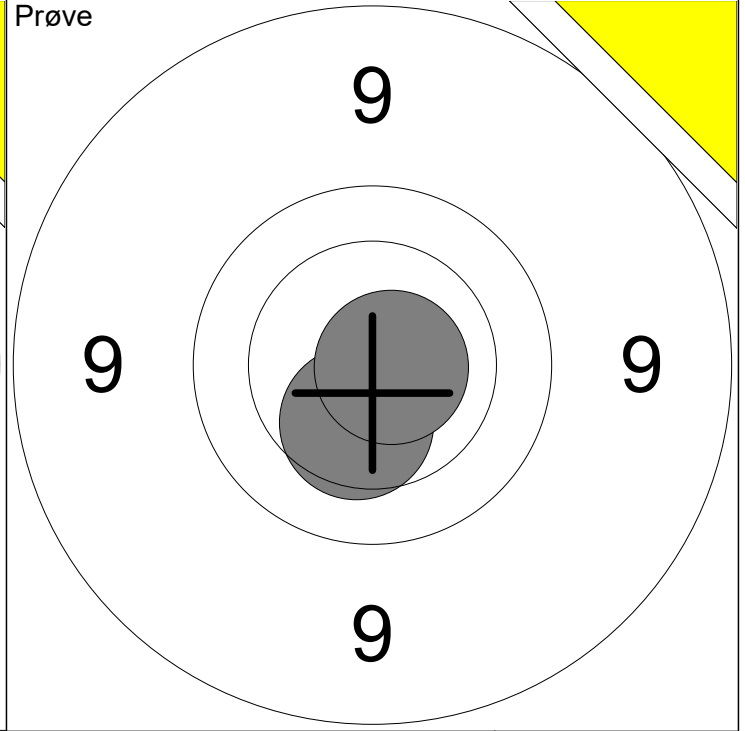
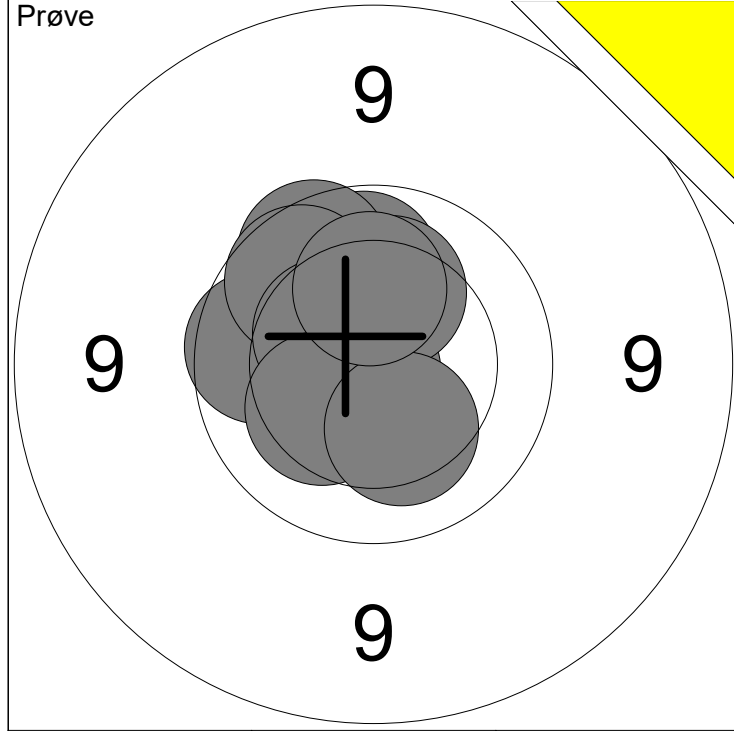
1:	9.9	←
2:	10.1	↙
3:	10.1	↓
4:	9.9	↓
5:	10.6x	←
6:	10.7x	↑
7:	10.7x	←
8:	10.8x	↗
9:	10.7x	↑
<b>Serie</b>		<b>88 ( 5x)</b>
<b>Total</b>		<b>0 ( 0x)</b>



1:	10.4	←
2:	10.5x	↓
3:	10.5x	↙
4:	10.2	←
5:	10.7x	↑
6:	10.5x	↖
7:	10.5	↗
8:	10.8x	←
9:	10.6x	↗
10:	10.8x	↗
<b>Serie</b>		<b>100 ( 7x)</b>
<b>Total</b>		<b>100 ( 7x)</b>

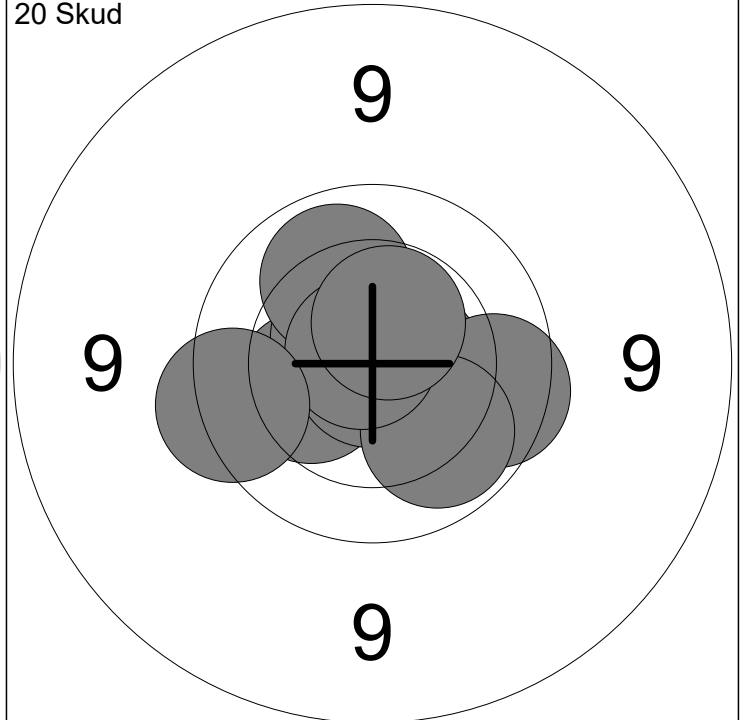
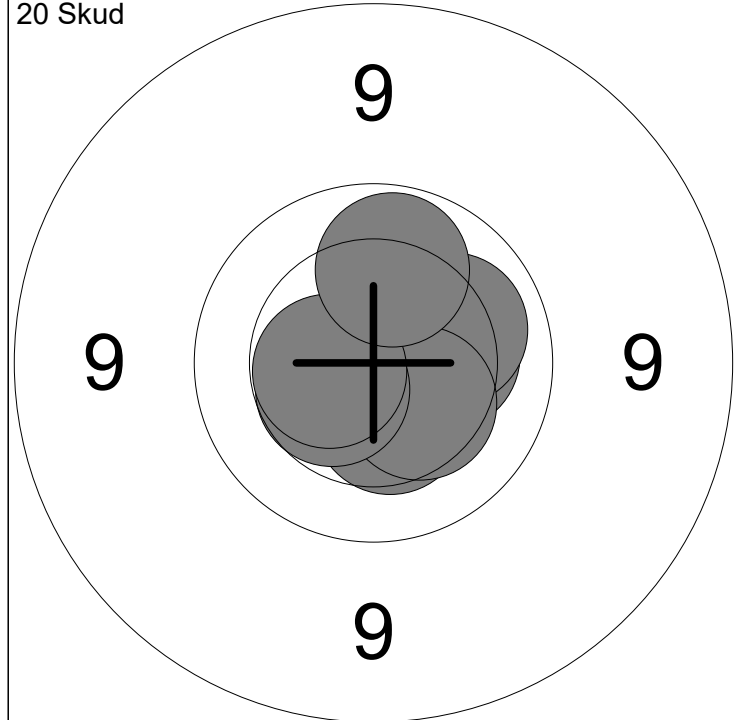


11:	10.3	↖
12:	10.5x	↓
13:	10.1	↓
14:	10.4	↗
15:	10.3	↗
16:	10.6x	↗
17:	10.6x	→
18:	10.7x	↓
19:	10.6x	←
20:	10.5x	↑
<b>Serie</b>		<b>100 ( 6x)</b>
<b>Total</b>		<b>200 (13x)</b>



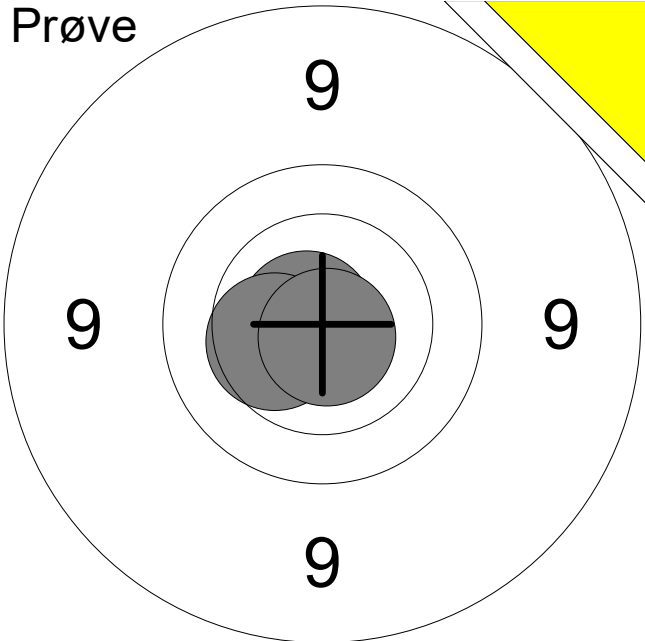
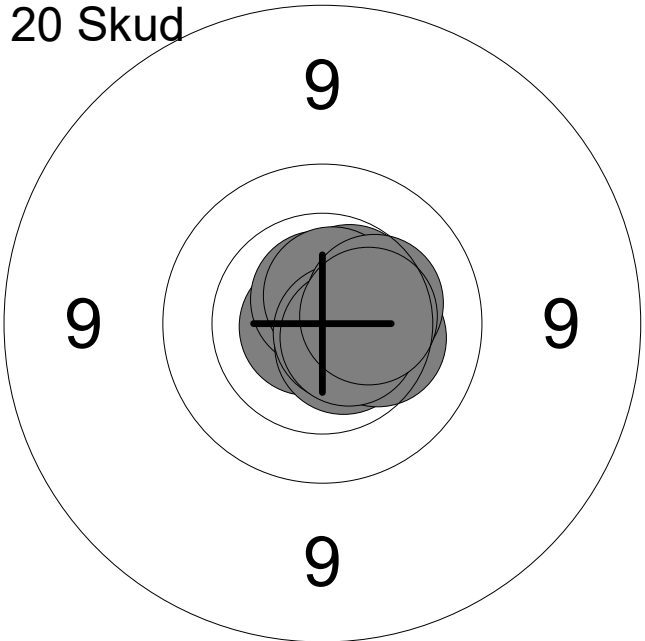
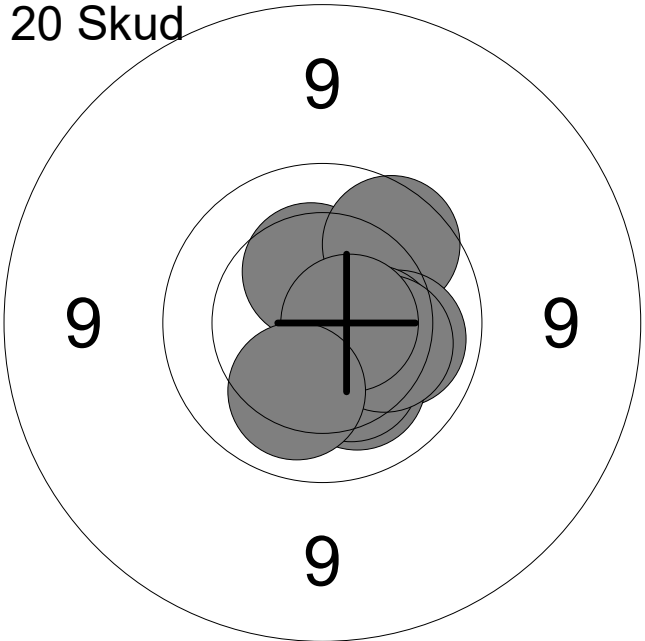
1: 9.9 ←	6: 9.9 ↗	Serie	97 ( 1x)
2: 10.0 ↑	7: 10.4 ↖		
3: 10.8x ↙	8: 10.3 ↙	Total	0 ( 0x)
4: 9.8 ↗	9: 10.3 ↓		
5: 10.2 ↑	10: 10.2 ↑		

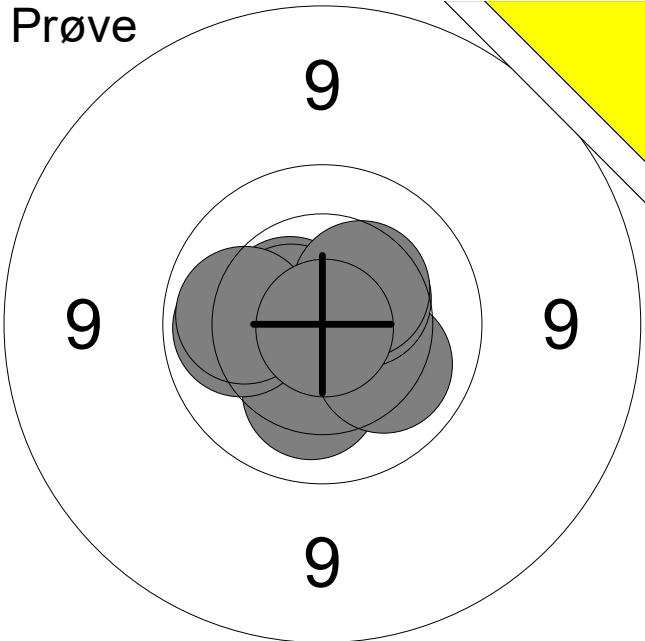
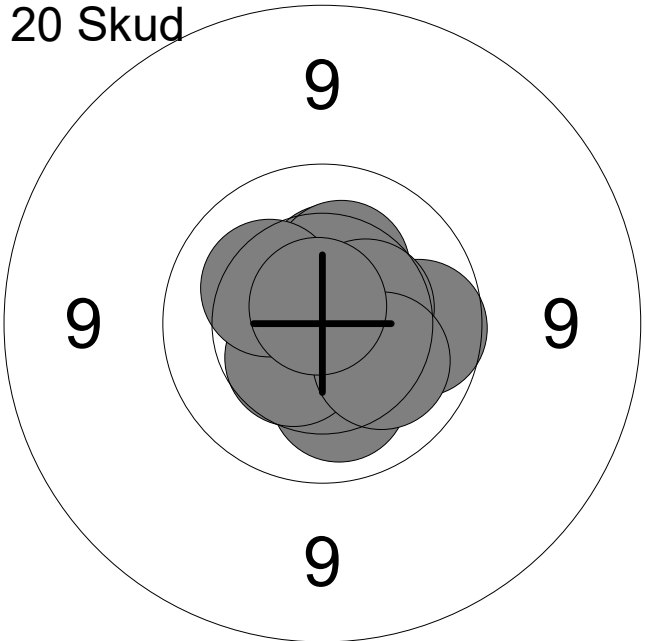
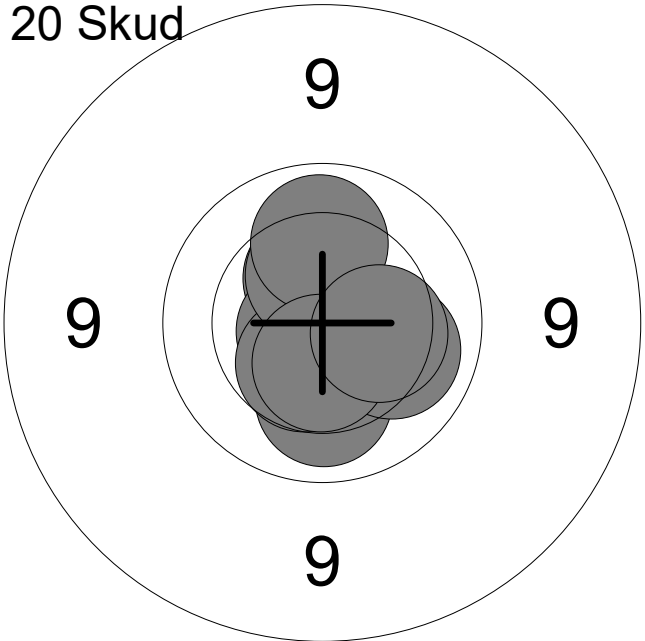
11: 10.4 ↓	Serie	20 ( 1x)
12: 10.8x →		
	Total	0 ( 0x)

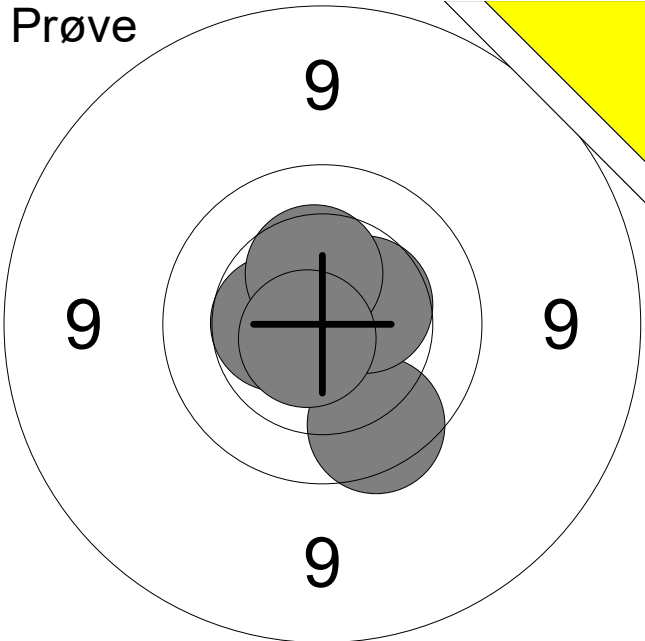
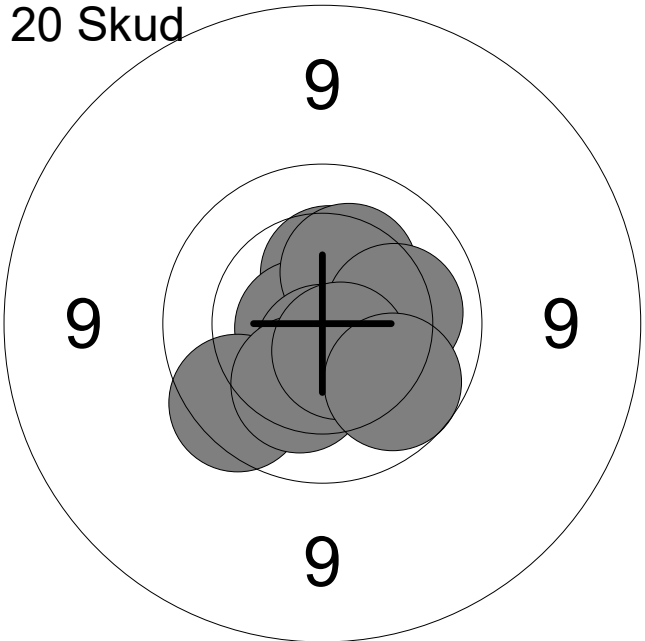
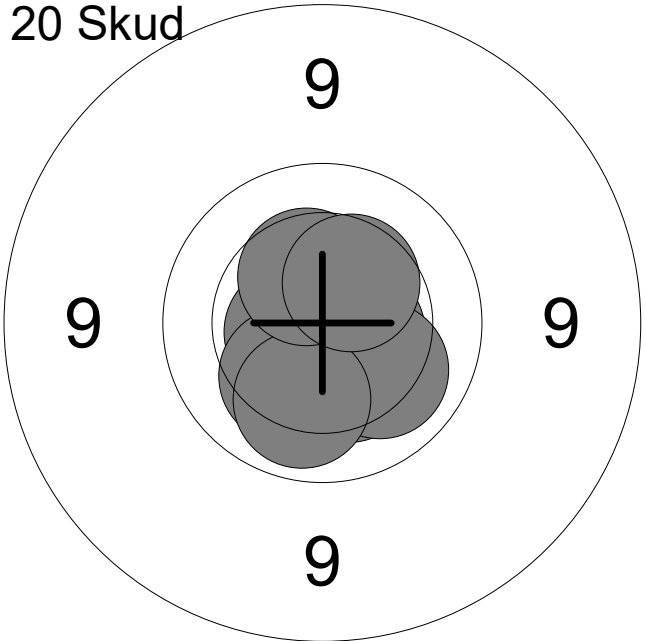
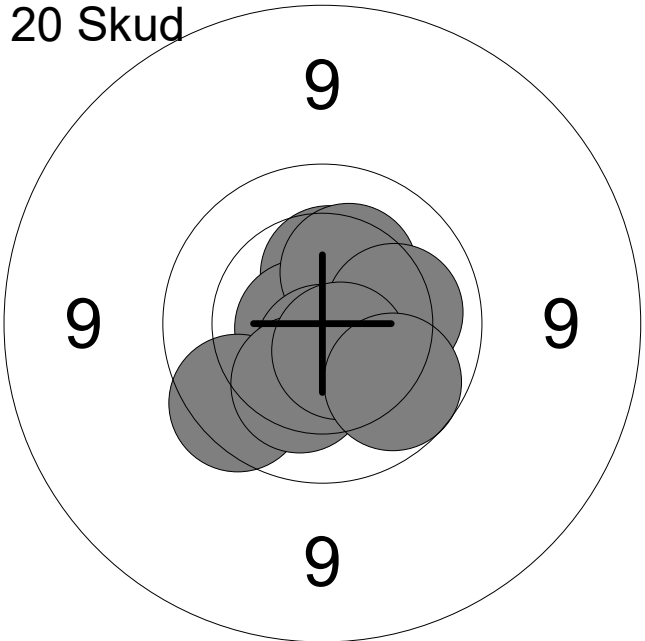
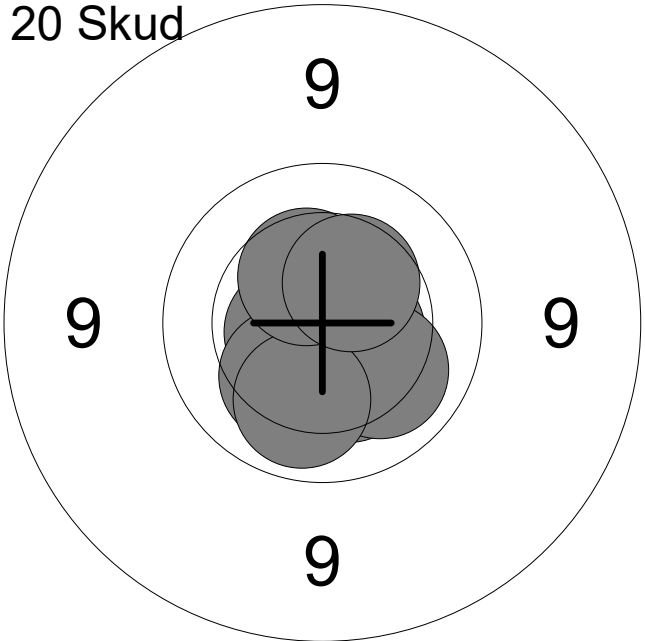
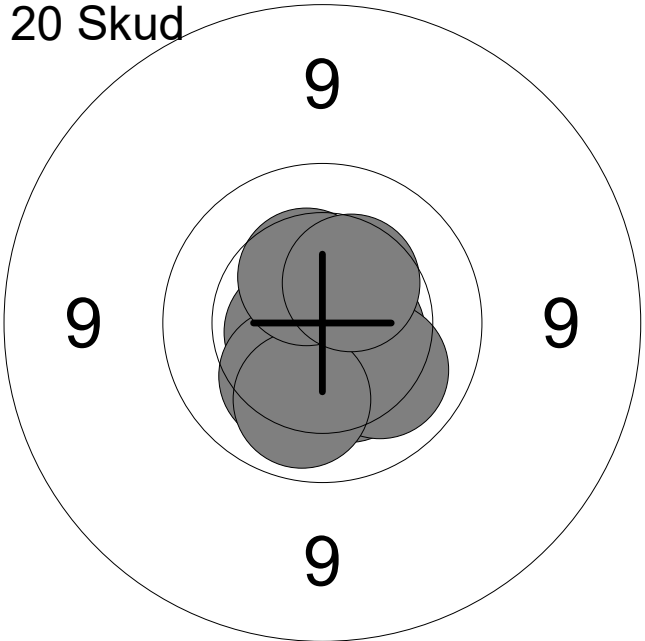
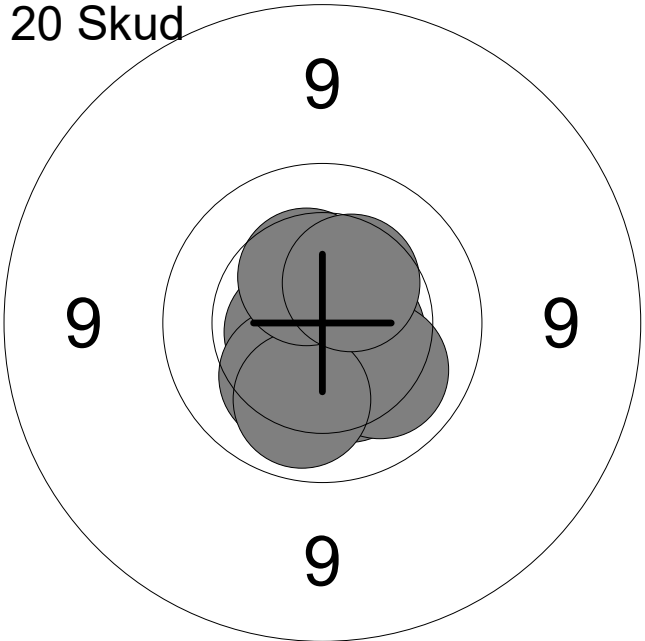
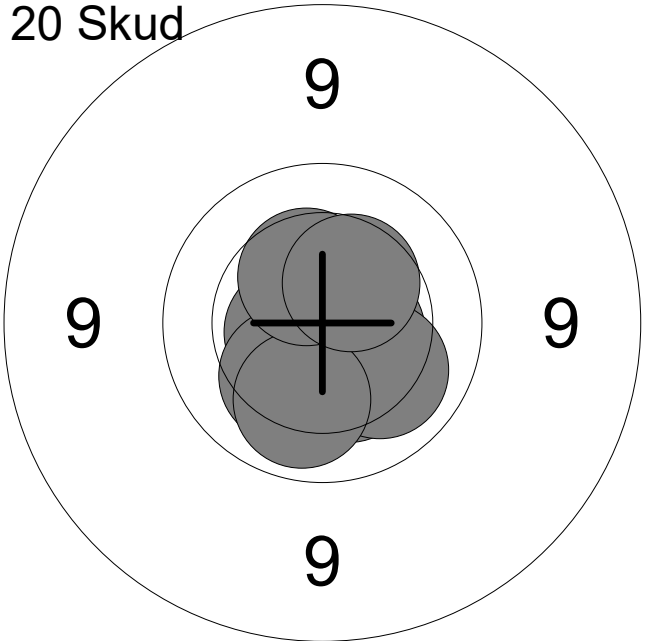
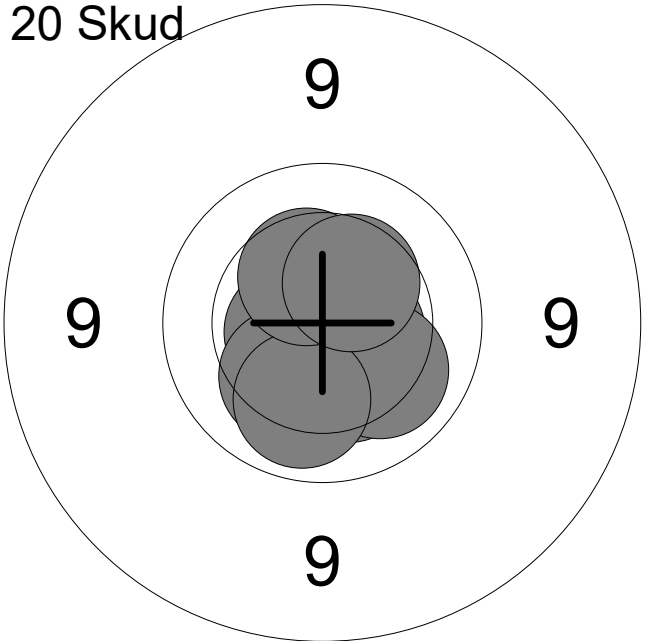
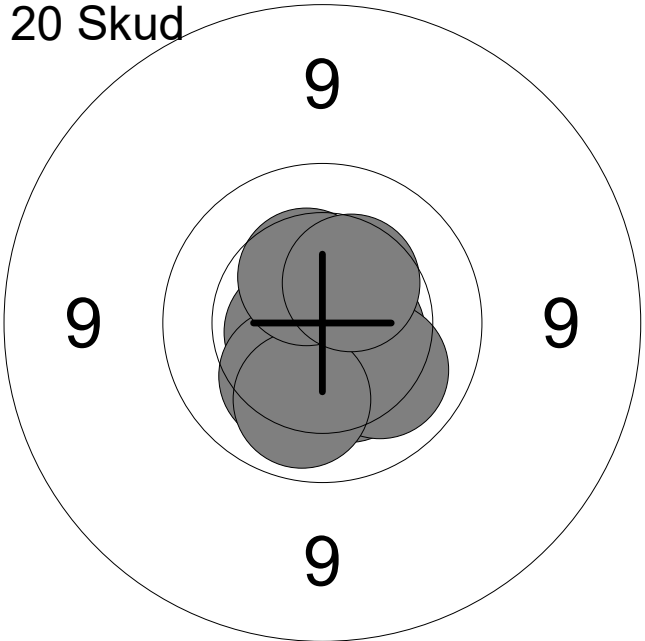
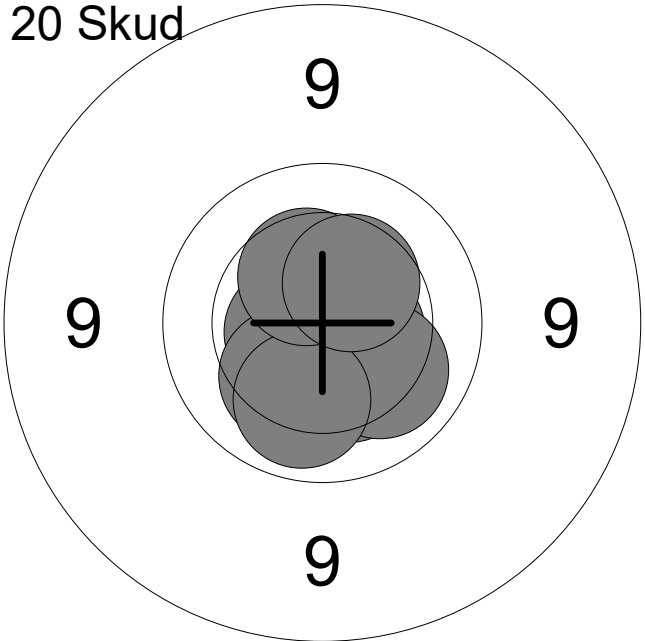
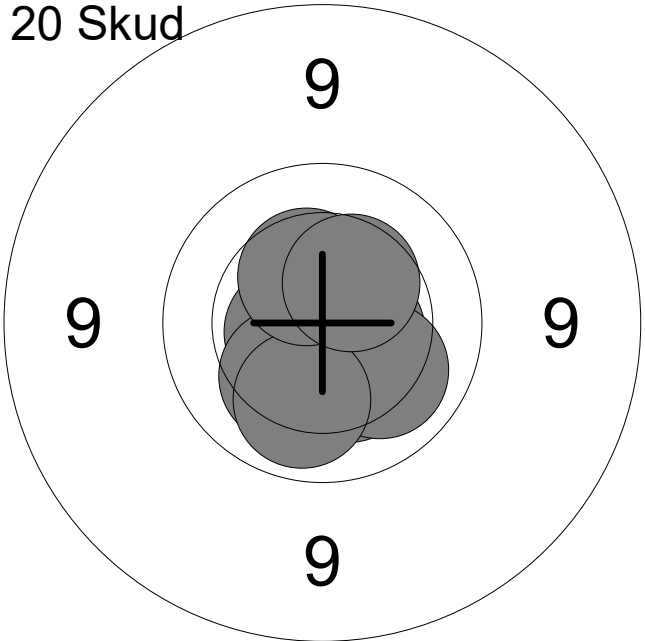
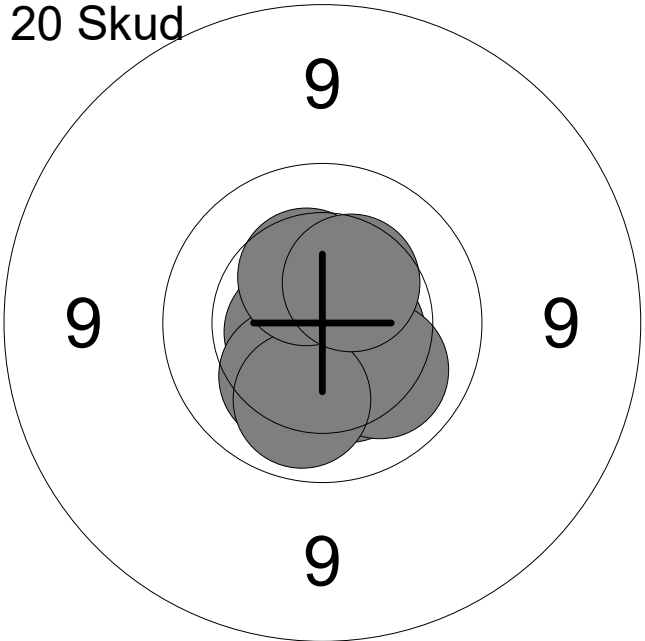


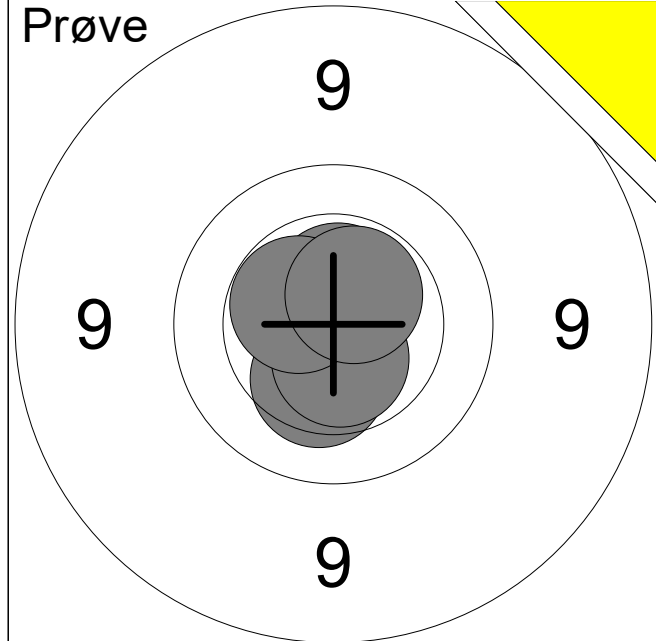
1: 10.3 ↗	6: 10.1 →	Serie	100 ( 2x)
2: 10.3 →	7: 10.4 ↓		
3: 10.4 ↓	8: 10.5 ↙	Total	100 ( 2x)
4: 10.4 ↗	9: 10.5x ←		
5: 10.8x ↙	10: 10.0 ↑		

11: 10.6x →	16: 10.0 ↓	Serie	98 ( 5x)
12: 10.3 ←	17: 10.1 ↗		
13: 10.6x ↖	18: 10.8x ↖	Total	198 ( 7x)
14: 10.9x ↓	19: 10.5x ↑		
15: 9.8 →	20: 9.7 ←		

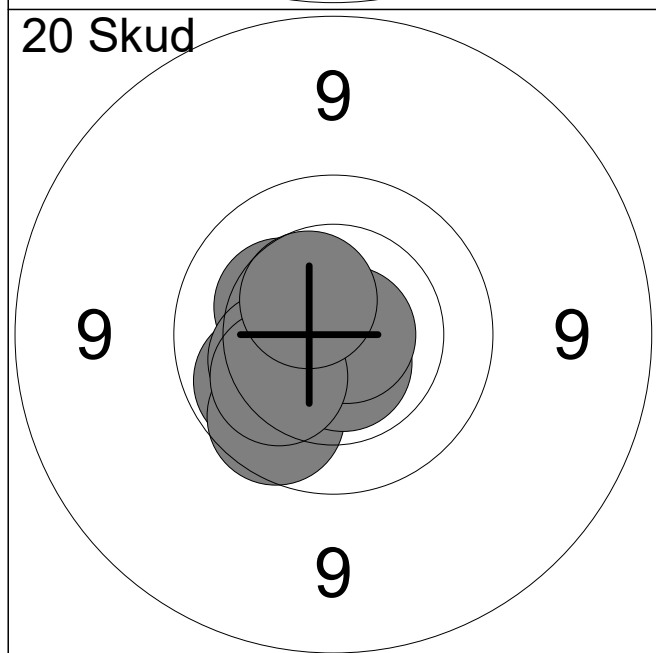
Hold	Skive	Ida Aaslev Noerager Bay		
5	3	ØSF	Ølstykke Skytteforening	MJ1
18.11.2024	Ølstykke Skydningen 2024	Ølstykke skytteforening		
<b>Prøve</b> 	1:	10.8x	←	
	2:	10.4	←	
	3:	10.8x	↓	
Serie		30 ( 2x)		
Total		0 ( 0x)		
<b>20 Skud</b> 	1:	10.8x	←	
	2:	10.5x	↗	
	3:	10.7x	↑	
	4:	10.6x	↘	
	5:	10.6x	↑	
	6:	10.3	→	
	7:	10.7x	↘	
	8:	10.6x	↘	
	9:	10.3	→	
	10:	10.4	→	
	Serie		100 ( 7x)	
Total		100 ( 7x)		
<b>20 Skud</b> 	11:	10.6x	→	
	12:	10.4	↑	
	13:	9.9	↗	
	14:	10.1	→	
	15:	10.2	↘	
	16:	10.3	↘	
	17:	10.4	→	
	18:	10.2	→	
	19:	10.7x	→	
	20:	10.1	↓	
	Serie		99 ( 2x)	
Total		199 ( 9x)		

Hold <b>5</b>	Skive <b>4</b>	<b>Sara Aaslev Noerager Bay</b>		
ØSF		Ølstykke Skytteforening		MJ1
18.11.2024		Ølstykke Skydningen 2024		Ølstykke skytteforening
<b>Prøve</b> 		1:	10.2	↓
		2:	10.5x	↗
		3:	10.6x	↖
		4:	10.1	←
		5:	10.1	↘
		6:	10.4	↗
		7:	10.1	←
		8:	10.4	↗
		9:	10.9x	↓
		Serie		90 ( 3x)
Total		0 ( 0x)		
<b>20 Skud</b> 		1:	10.4	↑
		2:	10.5x	↓
		3:	9.9	→
		4:	10.2	↓
		5:	10.3	↑
		6:	10.5	↘
		7:	10.2	↗
		8:	10.4	→
		9:	10.2	↘
		10:	10.8x	↑
Serie		99 ( 2x)		
Total		99 ( 2x)		
<b>20 Skud</b> 		11:	10.1	↓
		12:	10.5x	↑
		13:	10.4	↑
		14:	10.1	→
		15:	10.7x	←
		16:	10.5	↘
		17:	10.4	↑
		18:	10.1	↑
		19:	10.5x	↓
		20:	10.3	→
Serie		100 ( 3x)		
Total		199 ( 5x)		

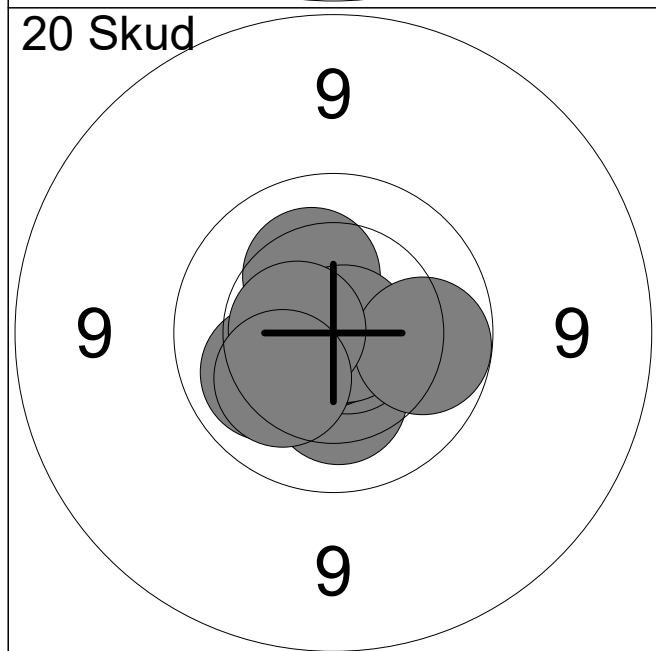
Hold <b>5</b>	Skive <b>5</b>	<b>Malou Schmidt-Larsen</b>		
ØSF		Ølstykke Skytteforening		MJ2
18.11.2024		Ølstykke Skydningen 2024		Ølstykke skytteforening
<b>Prøve</b> 		1: 9.8	↘	
		2: 10.4	→	
<b>20 Skud</b> 		3: 10.5	←	
		4: 10.4	↑	
<b>20 Skud</b> 		5: 10.7x	↙	
		Serie 49 ( 1x)		
		Total 0 ( 0x)		
<b>20 Skud</b> 		1: 10.4	↑	
		2: 10.7x	←	
<b>20 Skud</b> 		3: 10.3	↗	
		4: 10.1	→	
<b>20 Skud</b> 		5: 10.6x	↘	
		6: 9.8	↙	
<b>20 Skud</b> 		7: 10.6x	↘	
		8: 10.2	↘	
<b>20 Skud</b> 		9: 10.6x	↘	
		10: 9.9	↘	
		Serie 98 ( 4x)		
		Total 98 ( 4x)		
<b>20 Skud</b> 		11: 10.3	↘	
		12: 10.6x	←	
<b>20 Skud</b> 		13: 10.6x	→	
		14: 10.8x	↗	
<b>20 Skud</b> 		15: 10.3	↘	
		16: 10.3	↘	
<b>20 Skud</b> 		17: 10.1	↘	
		18: 10.1	↘	
<b>20 Skud</b> 		19: 10.4	↑	
		20: 10.4	↗	
		Serie 100 ( 3x)		
		Total 198 ( 7x)		



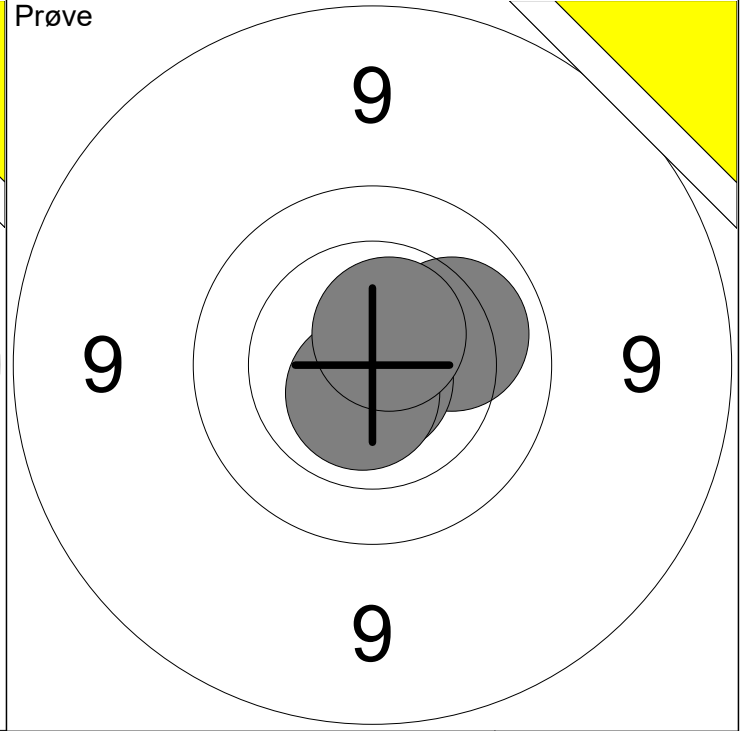
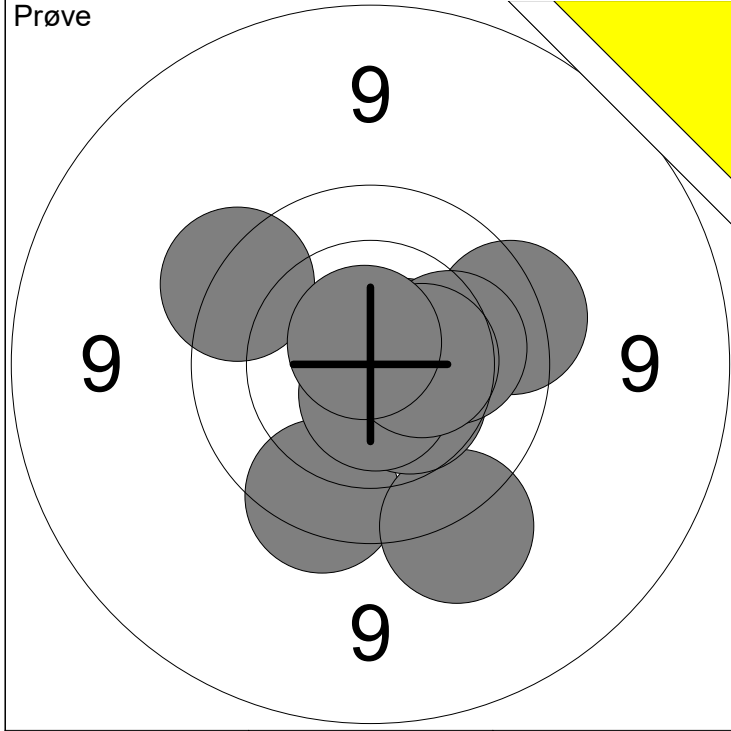
1:	10.3	↓
2:	10.6x	↓
3:	10.6x	↑
4:	10.5x	↖
5:	10.5x	↗
<b>Serie</b>		<b>50 ( 4x)</b>
<b>Total</b>		<b>0 ( 0x)</b>



1:	10.9x	←
2:	10.0	↙
3:	10.3	↖
4:	10.8x	↙
5:	9.9	↙
6:	10.6x	↓
7:	10.3	←
8:	10.8x	→
9:	10.2	↙
10:	10.5	↗
<b>Serie</b>		<b>99 ( 4x)</b>
<b>Total</b>		<b>99 ( 4x)</b>

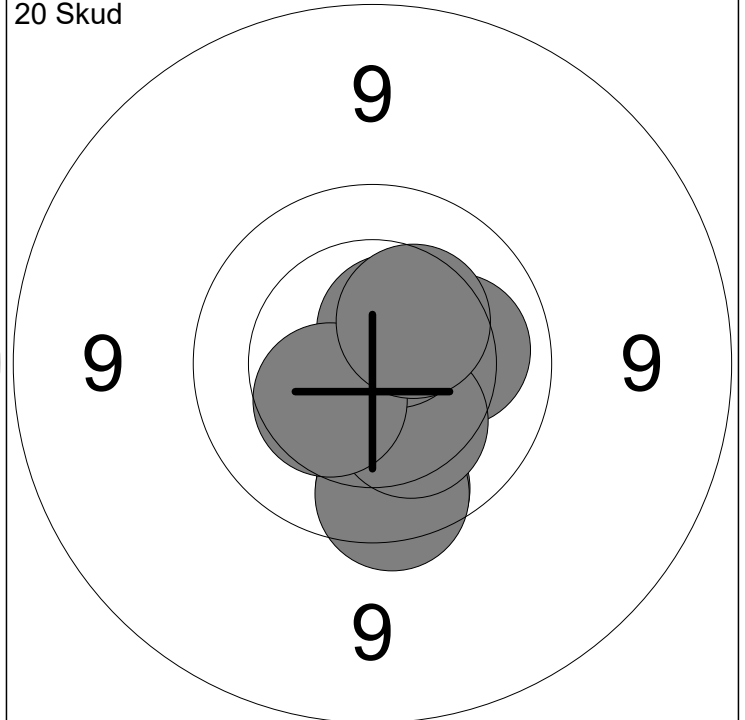
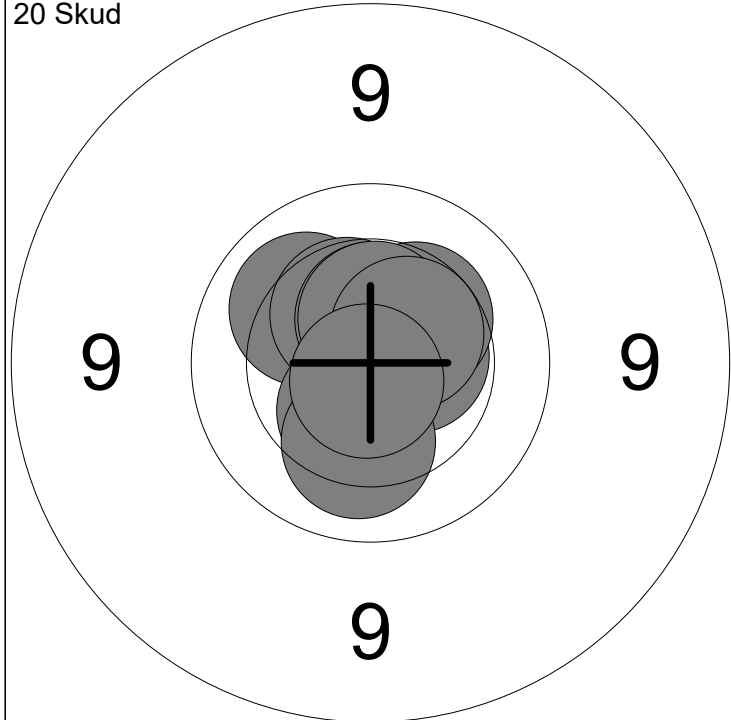


11:	10.3	↓
12:	10.3	↑
13:	10.7x	↙
14:	10.8x	↙
15:	10.9x	↙
16:	10.8x	→
17:	10.1	↙
18:	10.0	→
19:	10.5x	←
20:	10.2	↙
<b>Serie</b>		<b>100 ( 5x)</b>
<b>Total</b>		<b>199 ( 9x)</b>



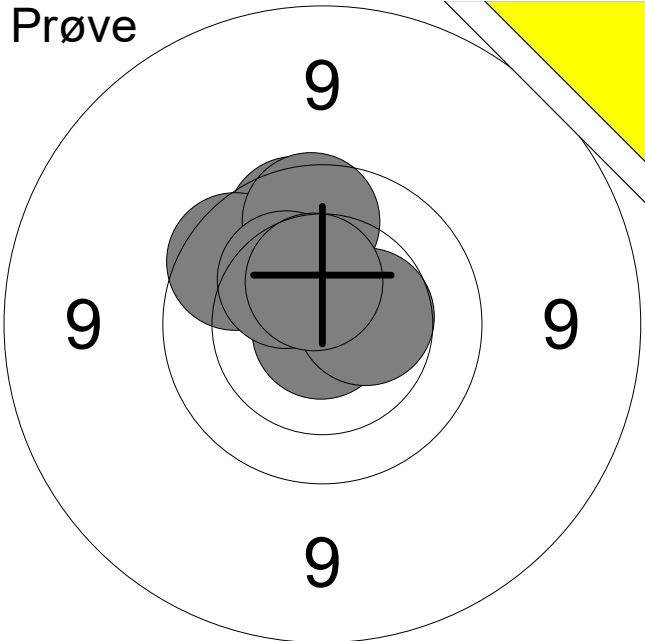
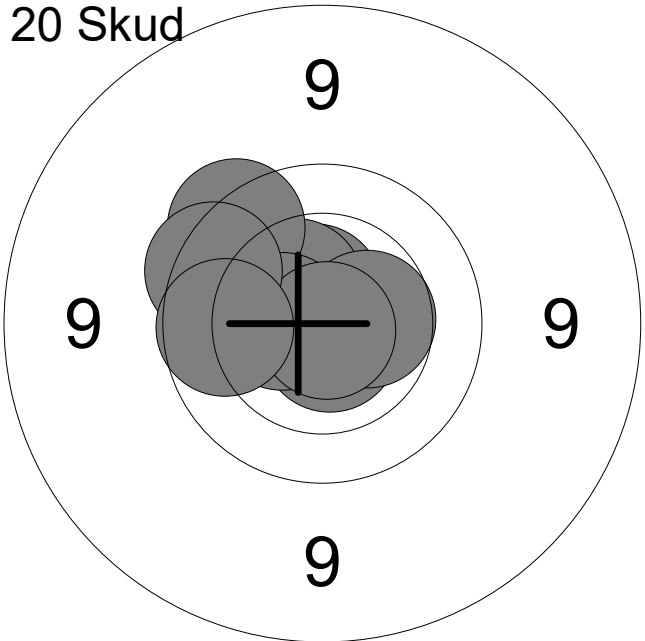
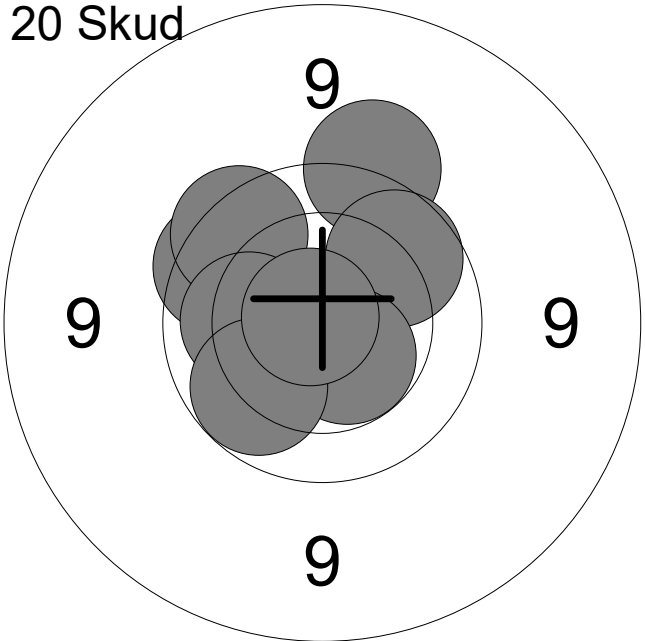
1: 9.7 ↖	6: 9.7 →	Serie	96 ( 3x)
2: 9.7 ↓	7: 10.7x ↓		
3: 9.5 ↓	8: 10.2 →	Total	0 ( 0x)
4: 10.5 ↓	9: 10.4 →		
5: 10.6x →	10: 10.7x ↑		

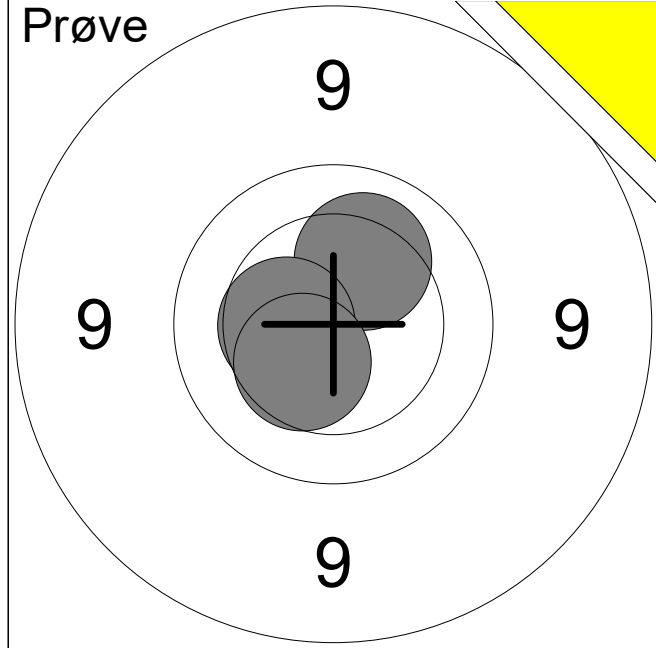
11: 10.1 →	Serie	40 ( 3x)
12: 10.8x ↓		
13: 10.7x ↓	Total	0 ( 0x)
14: 10.6x ↗		



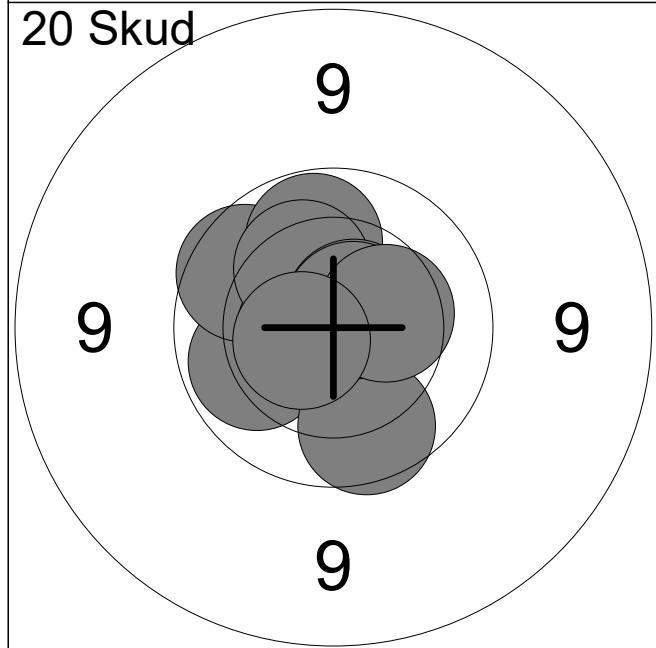
1: 10.5x →	6: 10.5x ↑	Serie	100 ( 5x)
2: 10.3 ↗	7: 10.5 ↓		
3: 10.1 ↖	8: 10.5x ↗	Total	100 ( 5x)
4: 10.4 ↗	9: 10.2 ↓		
5: 10.5x ↑	10: 10.8x ↓		

11: 10.0 ↓	16: 10.8x ↓	Serie	98 ( 3x)
12: 9.8 ↓	17: 10.3 ↓		
13: 9.8 ↓	18: 10.6x ↗	Total	198 ( 8x)
14: 10.1 →	19: 10.4 ↖		
15: 10.5x ↓	20: 10.4 ↗		

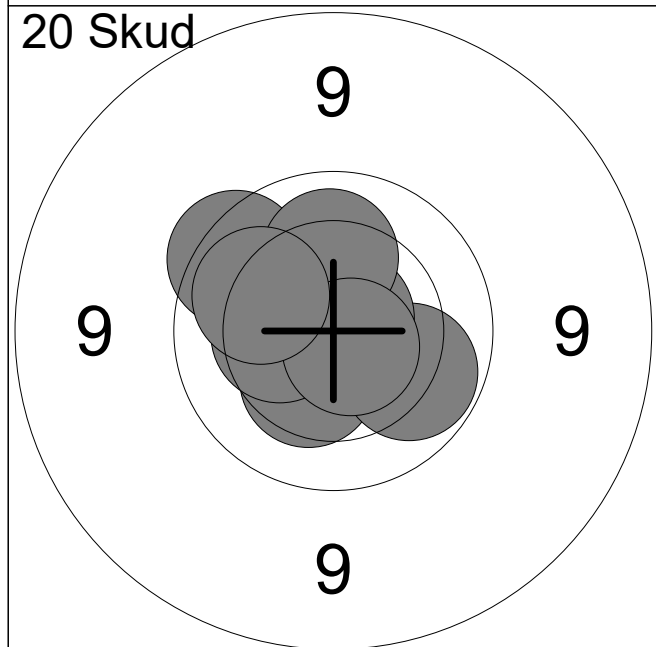
Hold <b>5</b>	Skive <b>8</b>	<b>Benedicte Bodilsen</b>		
ØSF		Bløvstrød SG&I - Skytteafd.		Å2
18.11.2024		Ølstykke Skydningen 2024	Ølstykke skytteforening	
<b>Prøve</b> 		1: 9.9		↑
		2: 10.9x		↓
		3: 10.5		→
		4: 9.8		↗
		5: 9.9		↑
		6: 10.3		↗
		7: 10.5		↑
		<b>Serie</b>		<b>67 ( 1x)</b>
		<b>Total</b>		<b>0 ( 0x)</b>
<b>20 Skud</b> 		1: 10.6x		↑
		2: 10.8x		↖
		3: 10.7x		↓
		4: 10.4		↗
		5: 9.7		↗
		6: 10.5x		←
		7: 10.5		→
		8: 10.9x		↓
		9: 9.8		↗
		10: 9.9		←
		<b>Serie</b>		<b>97 ( 5x)</b>
		<b>Total</b>		<b>97 ( 5x)</b>
<b>20 Skud</b> 		11: 9.8		↖
		12: 9.5		↑
		13: 10.9x		→
		14: 9.8		↗
		15: 9.9		↗
		16: 10.5x		←
		17: 10.5x		↓
		18: 10.1		←
		19: 10.0		↙
		20: 10.8x		↖
		<b>Serie</b>		<b>96 ( 4x)</b>
		<b>Total</b>		<b>193 ( 9x)</b>



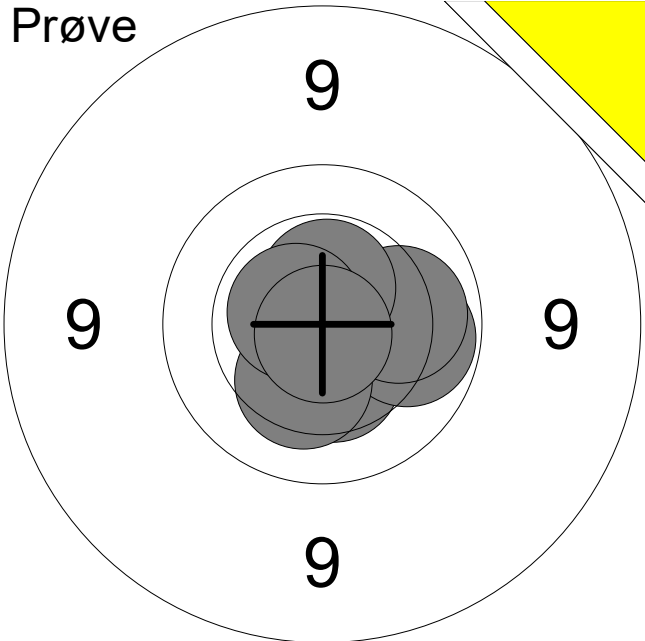
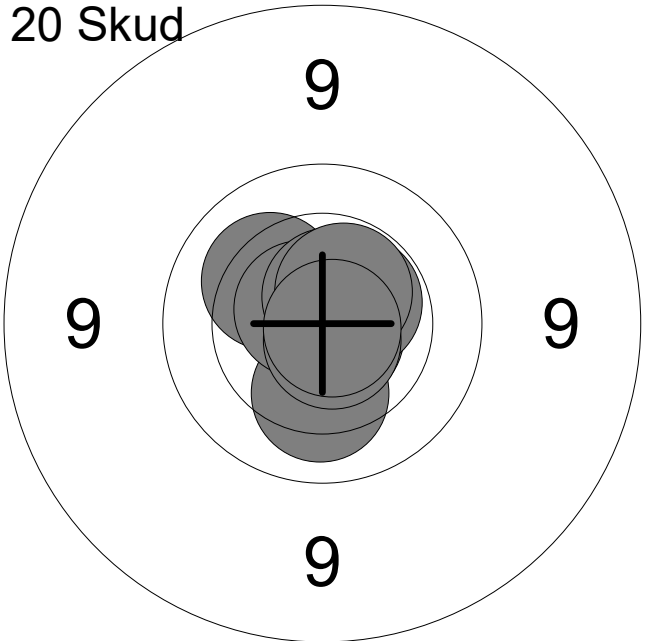
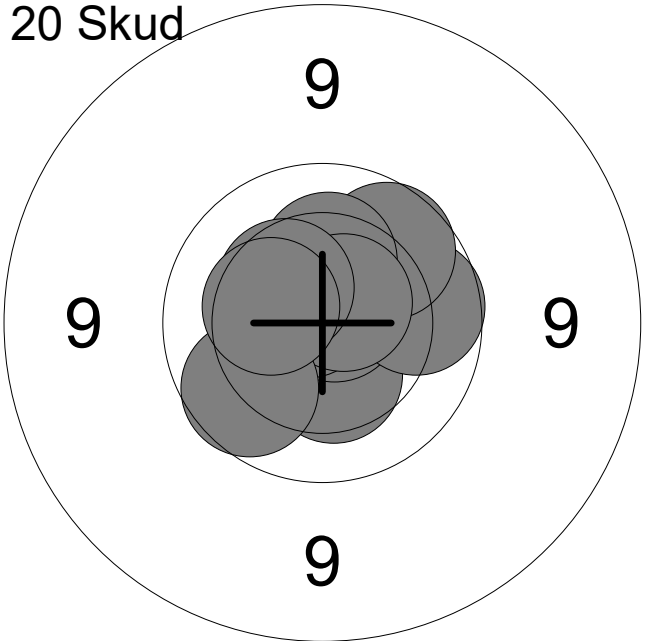
1:	10.2	↗
2:	10.4	←
3:	10.4	↘
<b>Serie</b>		<b>30 ( 0x)</b>
<b>Total</b>		<b>0 ( 0x)</b>



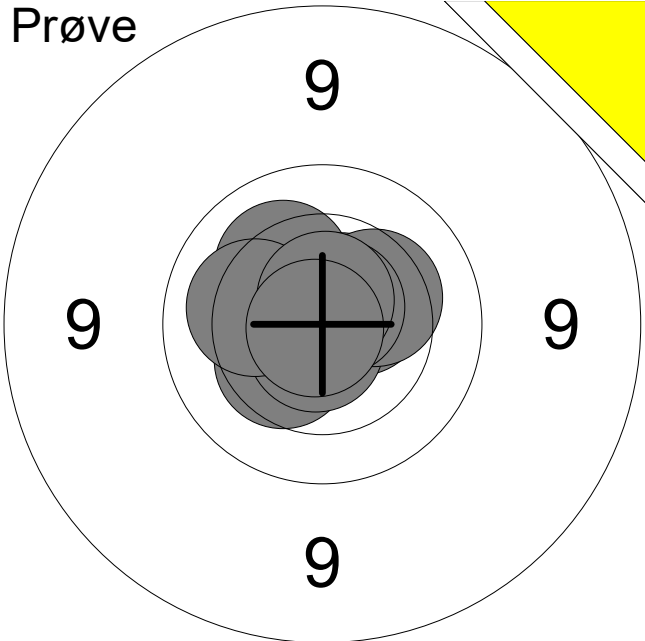
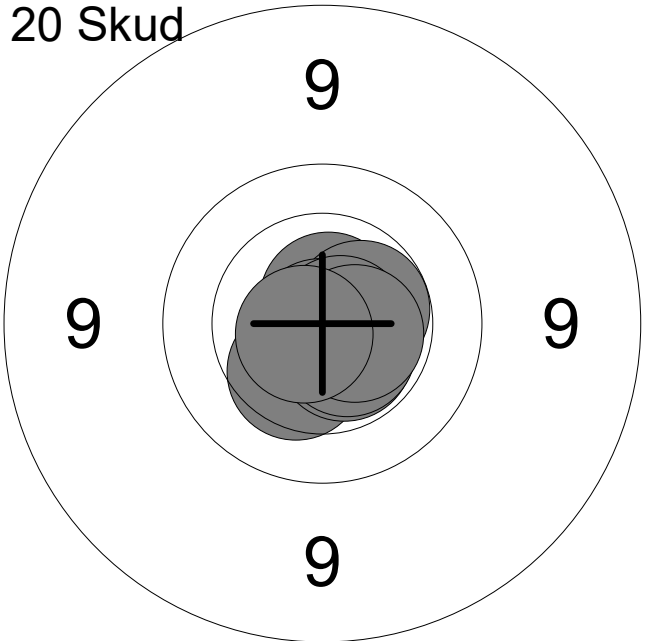
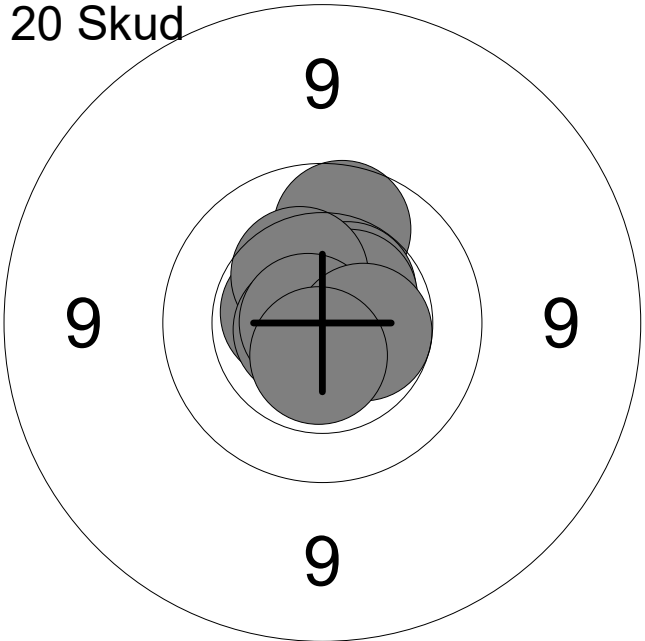
1:	10.0	←
2:	9.9	↖
3:	10.6x	←
4:	10.0	↑
5:	9.9	↘
6:	10.2	↑
7:	10.6x	↗
8:	10.7x	↗
9:	10.4	→
10:	10.6x	←
<b>Serie</b>		<b>98 ( 4x)</b>
<b>Total</b>		<b>98 ( 4x)</b>

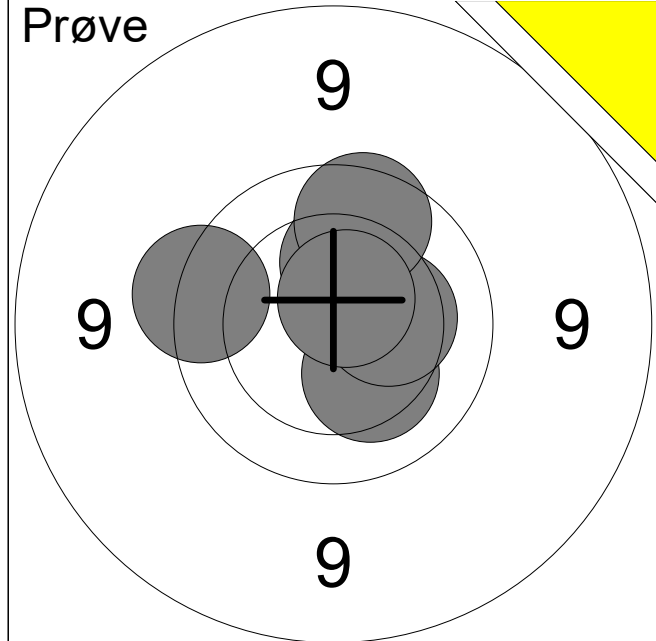


11:	10.4	↘
12:	10.3	←
13:	10.9x	↑
14:	10.0	↘
15:	9.8	↖
16:	10.8x	↗
17:	10.1	↑
18:	10.4	←
19:	10.7x	↘
20:	10.1	←
<b>Serie</b>		<b>99 ( 3x)</b>
<b>Total</b>		<b>197 ( 7x)</b>

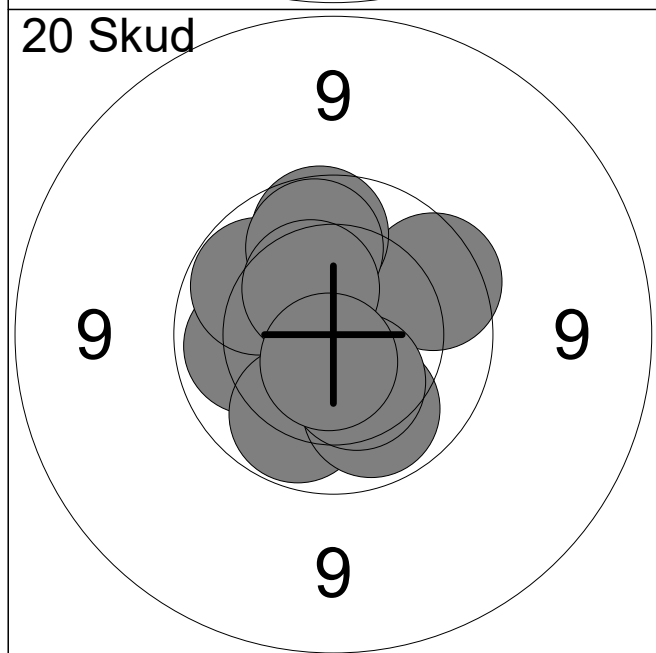
Hold <b>5</b>	Skive <b>10</b>	<b>Dicte Christine Moeller</b>		
ØSF		Frederikssund Skytteforening, I		MÅ1
18.11.2024		Ølstykke Skydningen 2024	Ølstykke skytteforening	
<b>Prøve</b> 		1: 10.4 ↓ 2: 10.0 → 3: 10.1 → 4: 10.3 ↓ 5: 10.5x ↑ 6: 10.6x ↖ 7: 10.8x ↓		
		Serie		70 ( 3x)
		Total		0 ( 0x)
<b>20 Skud</b> 		1: 10.2 ↓ 2: 10.8x ↓ 3: 10.6x ↗ 4: 10.2 ↗ 5: 10.5x ↗ 6: 10.7x ↖ 7: 10.6x ↑ 8: 10.5x ↗ 9: 10.7x ↓ 10: 10.8x →		
		Serie		100 ( 8x)
		Total		100 ( 8x)
<b>20 Skud</b> 		11: 10.4 ↓ 12: 10.8x ↗ 13: 9.9 → 14: 9.9 ↗ 15: 10.7x ↖ 16: 10.3 ↑ 17: 10.6x ↗ 18: 10.4 ↖ 19: 9.9 ↙ 20: 10.4 ↖		
		Serie		97 ( 3x)
		Total		197 ( 11x)

Hold <b>5</b>	Skive <b>11</b>	<b>Sandra Youden</b>																																
ØSF		Frederikssund Skytteforening, I		MÅ1																														
18.11.2024		Ølstykke Skydningen 2024	Ølstykke skytteforening																															
<b>Prøve</b>		<table border="0"> <tr><td>1:</td><td>10.3</td><td>←</td></tr> <tr><td>2:</td><td>10.7x</td><td>→</td></tr> <tr><td>3:</td><td>10.9x</td><td>↓</td></tr> </table>			1:	10.3	←	2:	10.7x	→	3:	10.9x	↓																					
1:	10.3	←																																
2:	10.7x	→																																
3:	10.9x	↓																																
		Serie 30 ( 2x)																																
		Total 0 ( 0x)																																
<b>20 Skud</b>		<table border="0"> <tr><td>1:</td><td>10.2</td><td>↙</td></tr> <tr><td>2:</td><td>10.4</td><td>↙</td></tr> <tr><td>3:</td><td>10.5x</td><td>←</td></tr> <tr><td>4:</td><td>10.8x</td><td>↗</td></tr> <tr><td>5:</td><td>10.5</td><td>→</td></tr> <tr><td>6:</td><td>10.3</td><td>→</td></tr> <tr><td>7:</td><td>10.7x</td><td>↘</td></tr> <tr><td>8:</td><td>10.7x</td><td>←</td></tr> <tr><td>9:</td><td>10.3</td><td>→</td></tr> <tr><td>10:</td><td>10.6x</td><td>↘</td></tr> </table>			1:	10.2	↙	2:	10.4	↙	3:	10.5x	←	4:	10.8x	↗	5:	10.5	→	6:	10.3	→	7:	10.7x	↘	8:	10.7x	←	9:	10.3	→	10:	10.6x	↘
1:	10.2	↙																																
2:	10.4	↙																																
3:	10.5x	←																																
4:	10.8x	↗																																
5:	10.5	→																																
6:	10.3	→																																
7:	10.7x	↘																																
8:	10.7x	←																																
9:	10.3	→																																
10:	10.6x	↘																																
		Serie 100 ( 5x)																																
		Total 100 ( 5x)																																
<b>20 Skud</b>		<table border="0"> <tr><td>11:</td><td>10.3</td><td>↙</td></tr> <tr><td>12:</td><td>10.9x</td><td>↗</td></tr> <tr><td>13:</td><td>10.6x</td><td>→</td></tr> <tr><td>14:</td><td>10.4</td><td>↙</td></tr> <tr><td>15:</td><td>10.3</td><td>↗</td></tr> <tr><td>16:</td><td>10.7x</td><td>↑</td></tr> <tr><td>17:</td><td>10.3</td><td>←</td></tr> <tr><td>18:</td><td>10.7x</td><td>↑</td></tr> <tr><td>19:</td><td>10.1</td><td>←</td></tr> <tr><td>20:</td><td>10.8x</td><td>←</td></tr> </table>			11:	10.3	↙	12:	10.9x	↗	13:	10.6x	→	14:	10.4	↙	15:	10.3	↗	16:	10.7x	↑	17:	10.3	←	18:	10.7x	↑	19:	10.1	←	20:	10.8x	←
11:	10.3	↙																																
12:	10.9x	↗																																
13:	10.6x	→																																
14:	10.4	↙																																
15:	10.3	↗																																
16:	10.7x	↑																																
17:	10.3	←																																
18:	10.7x	↑																																
19:	10.1	←																																
20:	10.8x	←																																
		Serie 100 ( 5x)																																
		Total 200 ( 10x)																																

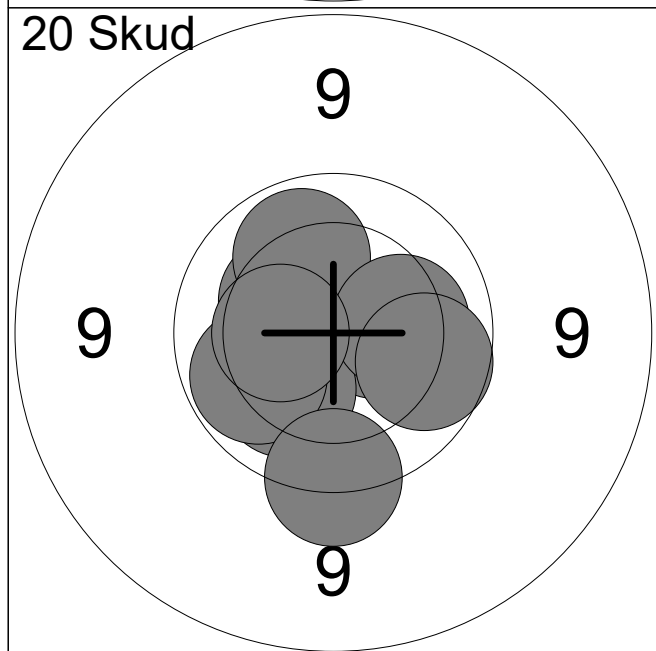
Hold <b>5</b>	Skive <b>12</b>	<b>Claus Soares Petersen</b>																																
ØSF		Frederikssund Skytteforening, I		MÅ1																														
18.11.2024		Ølstykke Skydningen 2024		Ølstykke skytteforening																														
<b>Prøve</b>		<table border="0"> <tr><td>1:</td><td>10.5x</td><td>➔</td></tr> <tr><td>2:</td><td>10.4</td><td>↙</td></tr> <tr><td>3:</td><td>10.7x</td><td>↘</td></tr> <tr><td>4:</td><td>10.2</td><td>↗</td></tr> <tr><td>5:</td><td>10.6x</td><td>↖</td></tr> <tr><td>6:</td><td>10.3</td><td>➔</td></tr> <tr><td>7:</td><td>10.2</td><td>↔</td></tr> <tr><td>8:</td><td>10.7x</td><td>↗</td></tr> <tr><td>9:</td><td>10.7x</td><td>↑</td></tr> <tr><td>10:</td><td>10.9x</td><td>↙</td></tr> </table>			1:	10.5x	➔	2:	10.4	↙	3:	10.7x	↘	4:	10.2	↗	5:	10.6x	↖	6:	10.3	➔	7:	10.2	↔	8:	10.7x	↗	9:	10.7x	↑	10:	10.9x	↙
1:	10.5x	➔																																
2:	10.4	↙																																
3:	10.7x	↘																																
4:	10.2	↗																																
5:	10.6x	↖																																
6:	10.3	➔																																
7:	10.2	↔																																
8:	10.7x	↗																																
9:	10.7x	↑																																
10:	10.9x	↙																																
		Serie		100 ( 6x)																														
		Total		0 ( 0x)																														
<b>20 Skud</b>		<table border="0"> <tr><td>1:</td><td>10.9x</td><td>↑</td></tr> <tr><td>2:</td><td>10.7x</td><td>↑</td></tr> <tr><td>3:</td><td>10.5x</td><td>➔</td></tr> <tr><td>4:</td><td>10.9x</td><td>↘</td></tr> <tr><td>5:</td><td>10.3</td><td>↘</td></tr> <tr><td>6:</td><td>10.6x</td><td>↘</td></tr> <tr><td>7:</td><td>10.7x</td><td>➔</td></tr> <tr><td>8:</td><td>10.6x</td><td>↘</td></tr> <tr><td>9:</td><td>10.6x</td><td>➔</td></tr> <tr><td>10:</td><td>10.7x</td><td>↙</td></tr> </table>			1:	10.9x	↑	2:	10.7x	↑	3:	10.5x	➔	4:	10.9x	↘	5:	10.3	↘	6:	10.6x	↘	7:	10.7x	➔	8:	10.6x	↘	9:	10.6x	➔	10:	10.7x	↙
1:	10.9x	↑																																
2:	10.7x	↑																																
3:	10.5x	➔																																
4:	10.9x	↘																																
5:	10.3	↘																																
6:	10.6x	↘																																
7:	10.7x	➔																																
8:	10.6x	↘																																
9:	10.6x	➔																																
10:	10.7x	↙																																
		Serie		100 ( 9x)																														
		Total		100 ( 9x)																														
<b>20 Skud</b>		<table border="0"> <tr><td>11:</td><td>9.9</td><td>↑</td></tr> <tr><td>12:</td><td>10.6x</td><td>↔</td></tr> <tr><td>13:</td><td>10.8x</td><td>↗</td></tr> <tr><td>14:</td><td>10.5x</td><td>↗</td></tr> <tr><td>15:</td><td>10.5x</td><td>↗</td></tr> <tr><td>16:</td><td>10.4</td><td>↗</td></tr> <tr><td>17:</td><td>10.7x</td><td>↔</td></tr> <tr><td>18:</td><td>10.8x</td><td>↔</td></tr> <tr><td>19:</td><td>10.5</td><td>➔</td></tr> <tr><td>20:</td><td>10.6x</td><td>↘</td></tr> </table>			11:	9.9	↑	12:	10.6x	↔	13:	10.8x	↗	14:	10.5x	↗	15:	10.5x	↗	16:	10.4	↗	17:	10.7x	↔	18:	10.8x	↔	19:	10.5	➔	20:	10.6x	↘
11:	9.9	↑																																
12:	10.6x	↔																																
13:	10.8x	↗																																
14:	10.5x	↗																																
15:	10.5x	↗																																
16:	10.4	↗																																
17:	10.7x	↔																																
18:	10.8x	↔																																
19:	10.5	➔																																
20:	10.6x	↘																																
		Serie		99 ( 7x)																														
		Total		199 (16x)																														



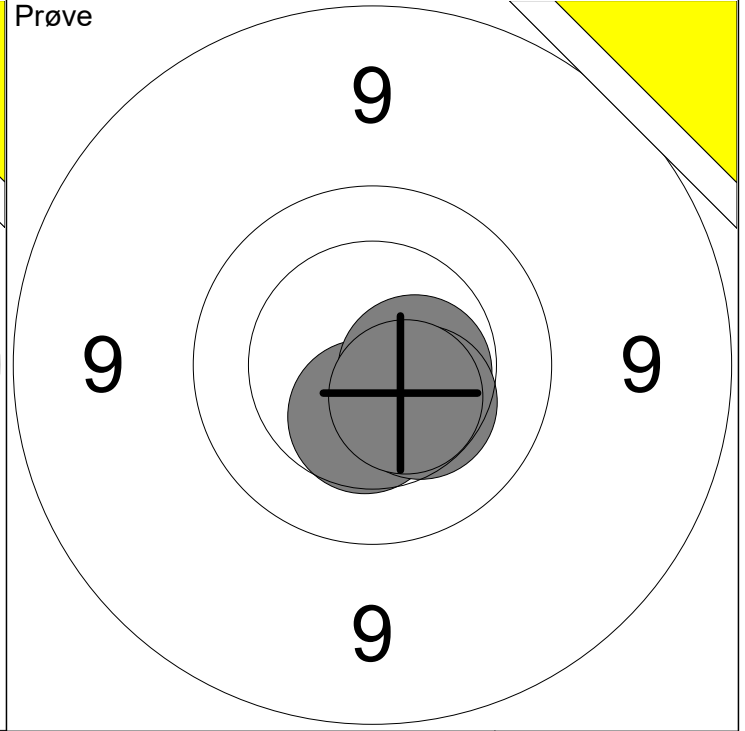
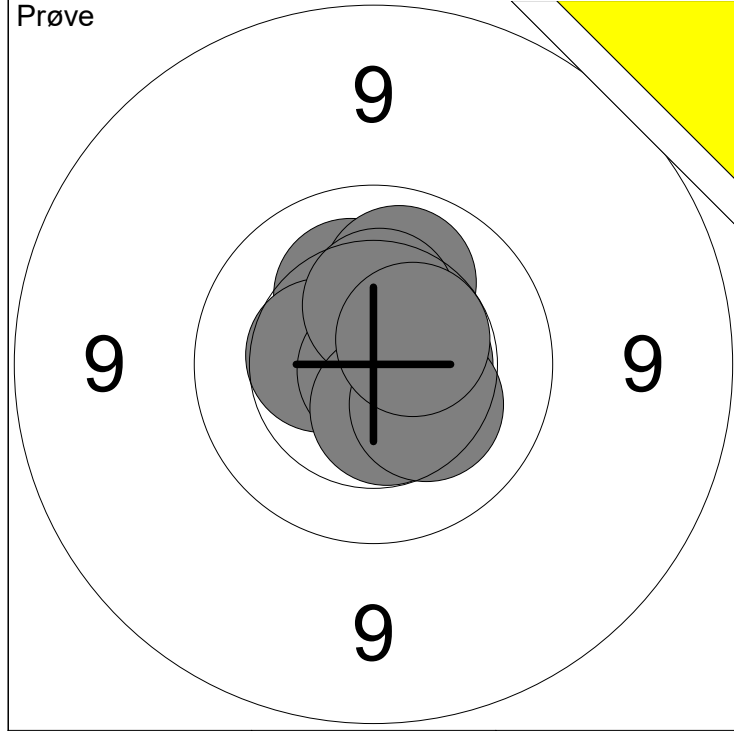
1:	10.3	↘
2:	10.5x	↗
3:	10.2	↑
4:	10.3	→
5:	9.8	↑
6:	9.7	←
7:	10.6x	↗
<b>Serie</b>		<b>68 ( 2x)</b>
<b>Total</b>		<b>0 ( 0x)</b>



1:	10.0	←
2:	10.0	↘
3:	10.0	↗
4:	9.8	↗
5:	10.0	↘
6:	10.4	↘
7:	9.9	↑
8:	10.0	↑
9:	10.4	↗
10:	10.6x	↘
<b>Serie</b>		<b>98 ( 1x)</b>
<b>Total</b>		<b>98 ( 1x)</b>

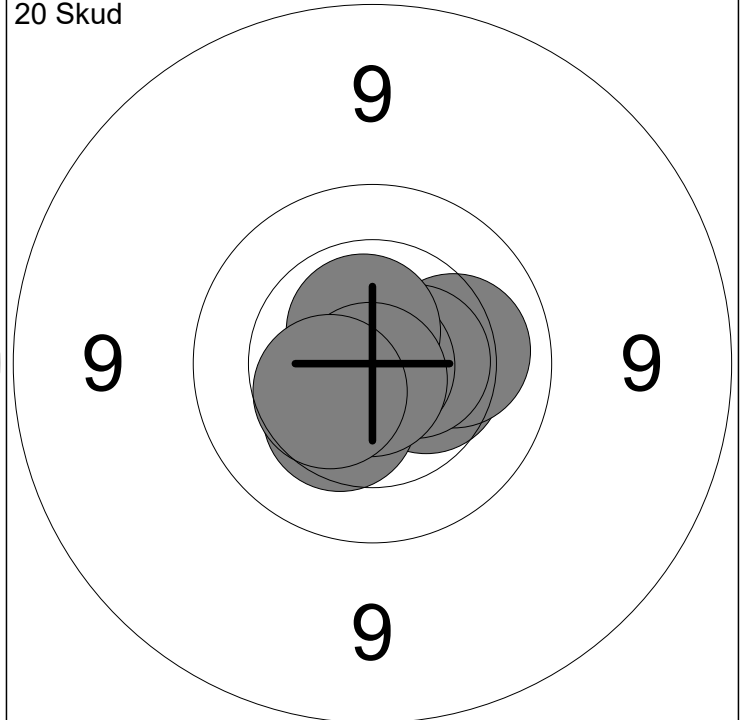
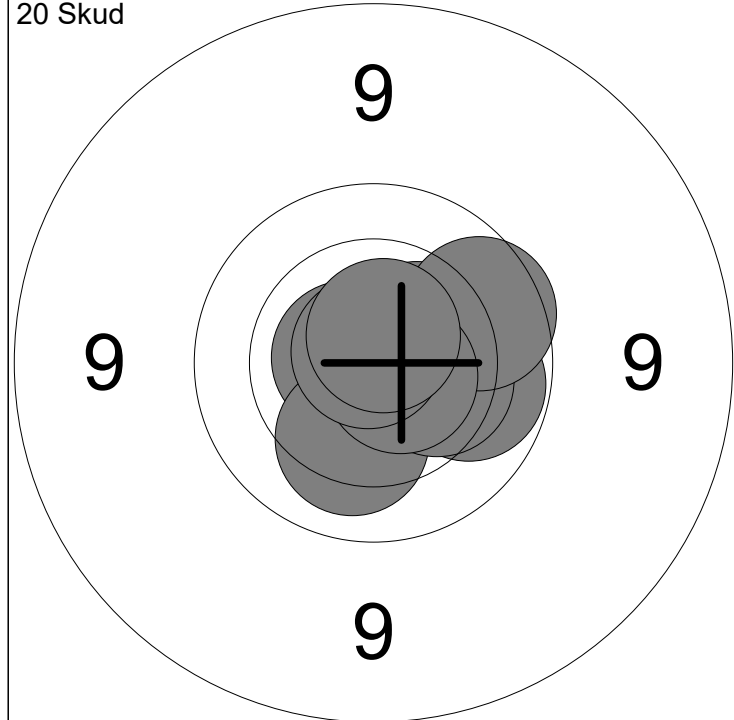


11:	10.3	↗
12:	10.5	→
13:	10.4	↗
14:	10.2	↘
15:	10.0	←
16:	10.0	↑
17:	10.2	→
18:	10.4	←
19:	9.6	↘
20:	9.9	→
<b>Serie</b>		<b>98 ( 0x)</b>
<b>Total</b>		<b>196 ( 1x)</b>



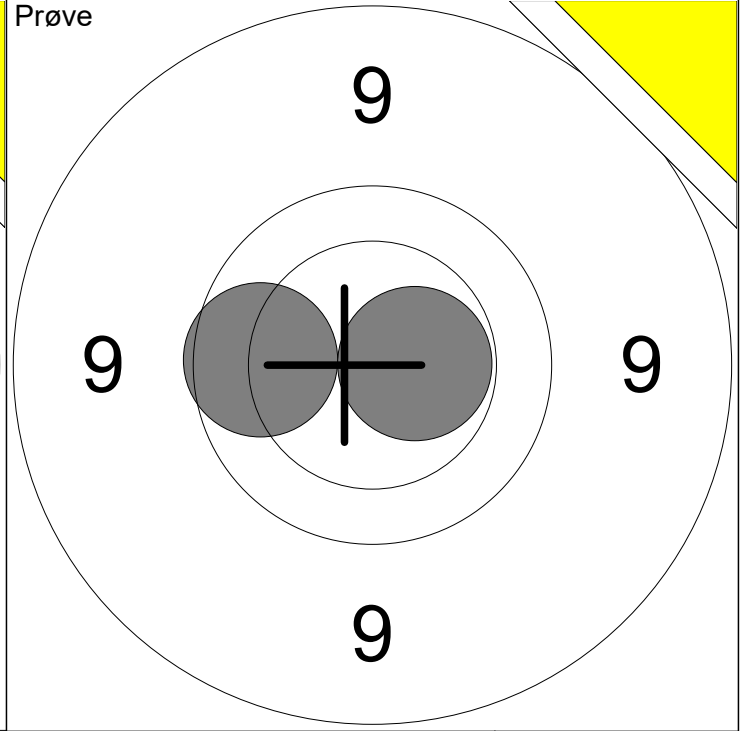
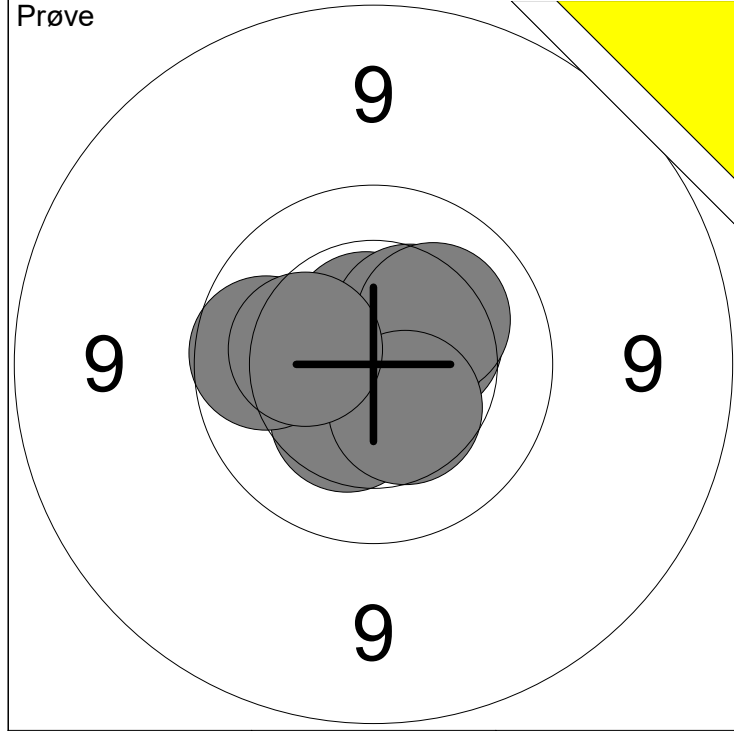
1: 10.2 ↗	6: 10.5x →	Serie 100 (5x)
2: 10.1 ↗	7: 10.4 ↗	
3: 10.4 ←	8: 10.5x ↓	Total 0 (0x)
4: 10.6x →	9: 10.3 ↘	
5: 10.9x ↓	10: 10.5x ↗	

11: 10.4 ↓	Serie 40 (2x)
12: 10.5x →	
13: 10.4 ↘	Total 0 (0x)
14: 10.5x ↘	



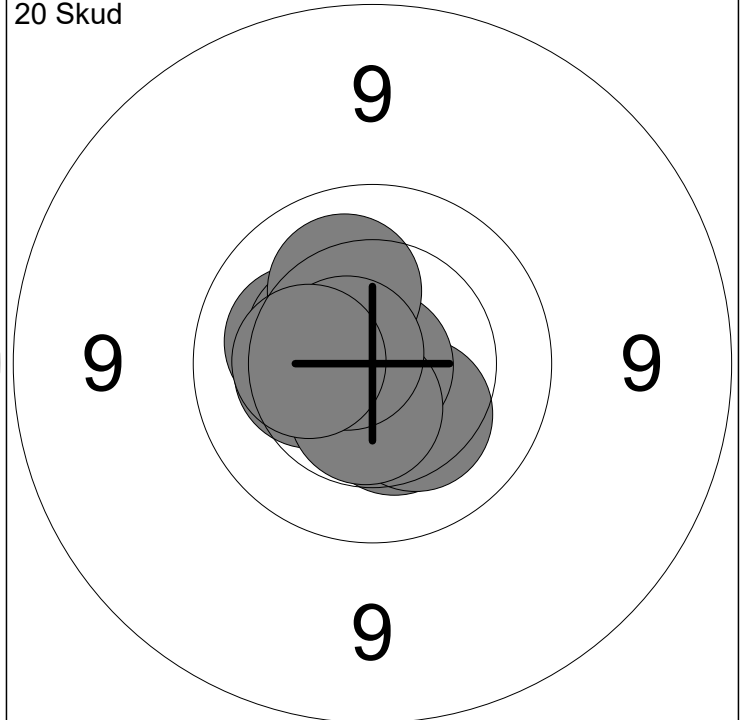
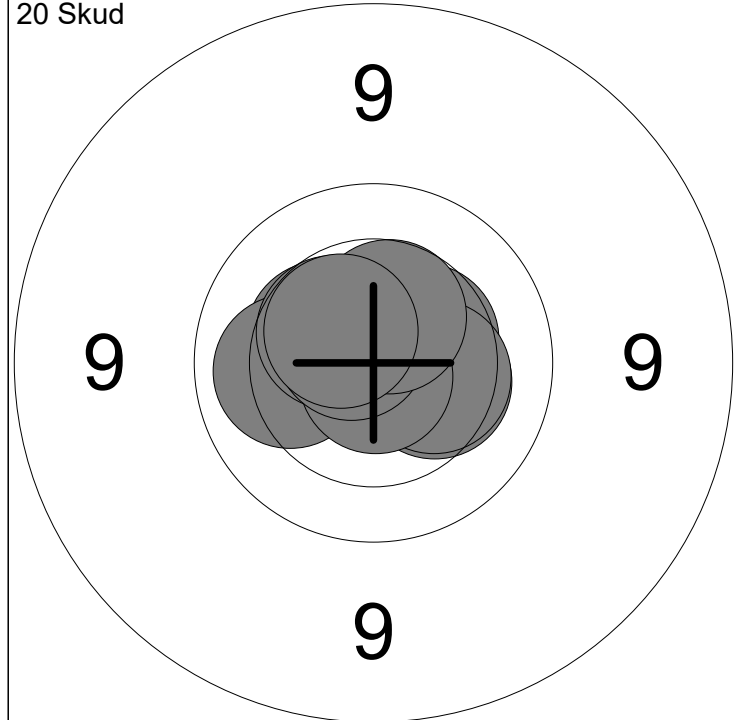
1: 10.5 ↗	6: 10.3 →	Serie 99 (5x)
2: 10.7x ←	7: 9.9 ↗	
3: 10.0 →	8: 10.7x ↘	Total 99 (5x)
4: 10.8x →	9: 10.8x ↗	
5: 10.2 ↓	10: 10.7x ↗	

11: 10.4 →	16: 10.9x →	Serie 100 (6x)
12: 10.7x ↘	17: 10.6x ↗	
13: 10.1 →	18: 10.4 ↘	Total 199 (11x)
14: 10.7x →	19: 10.8x ↓	
15: 10.6x →	20: 10.5 ↘	



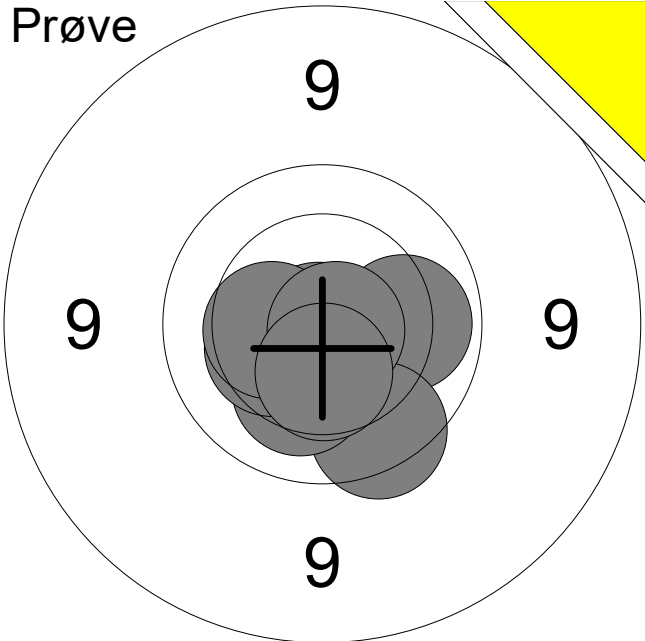
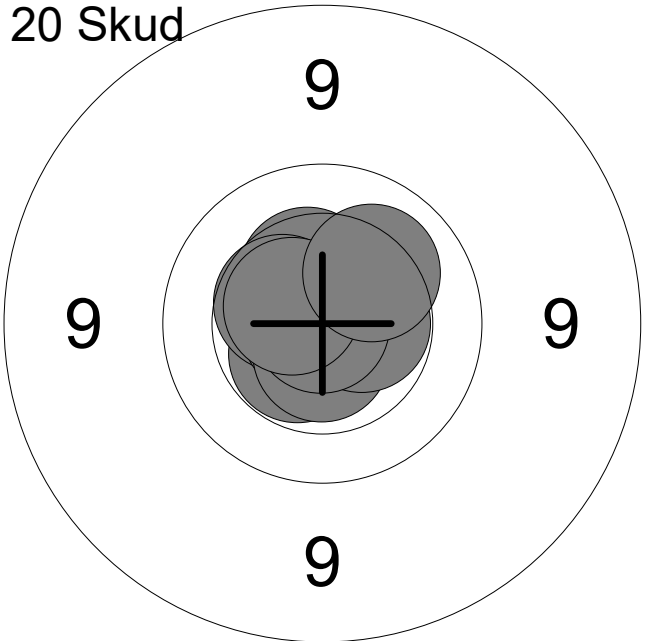
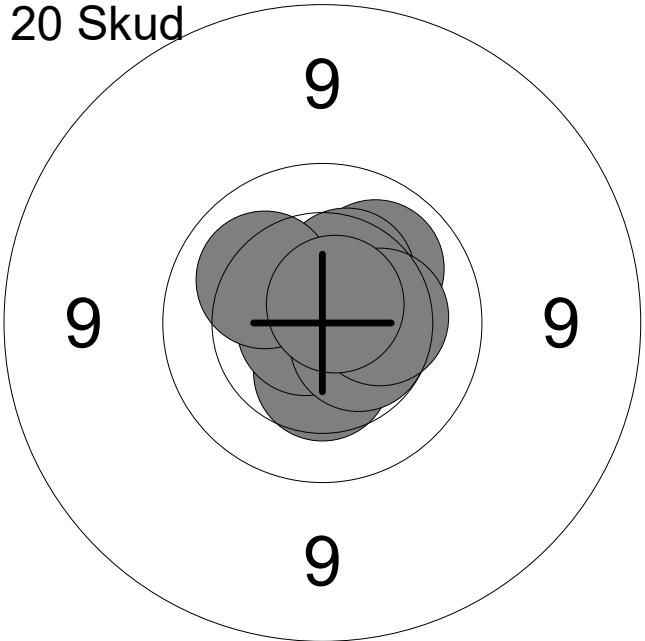
1: 10.4 ←	6: 10.6x →	Serie	99 ( 2x)
2: 10.4 ↙	7: 10.4 ↗		
3: 10.6x ↑	8: 10.2 ↗	Total	0 ( 0x)
4: 10.4 →	9: 10.4 ↘		
5: 9.9 ←	10: 10.3 ←		

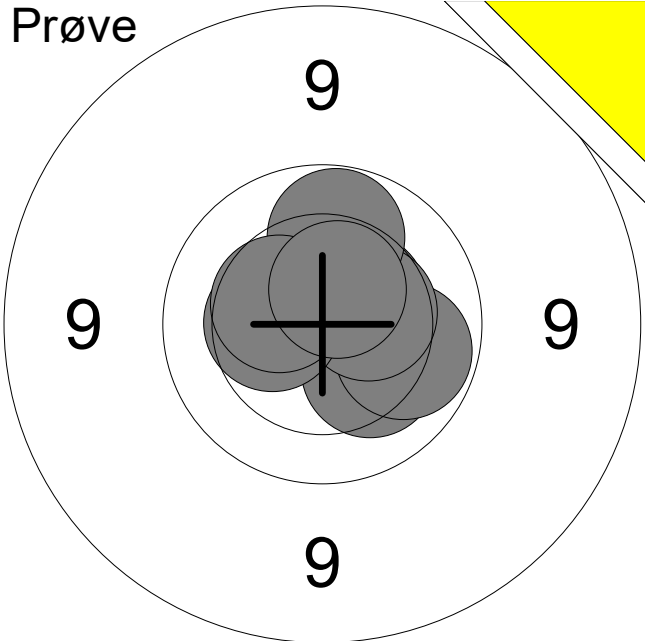
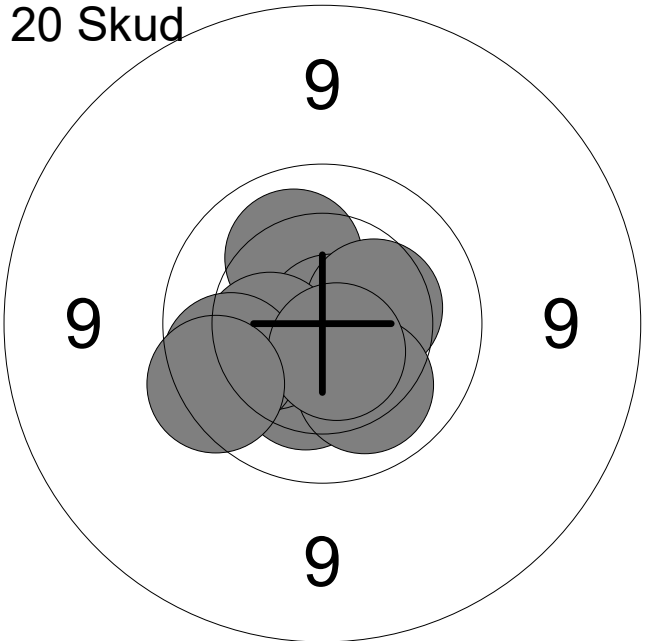
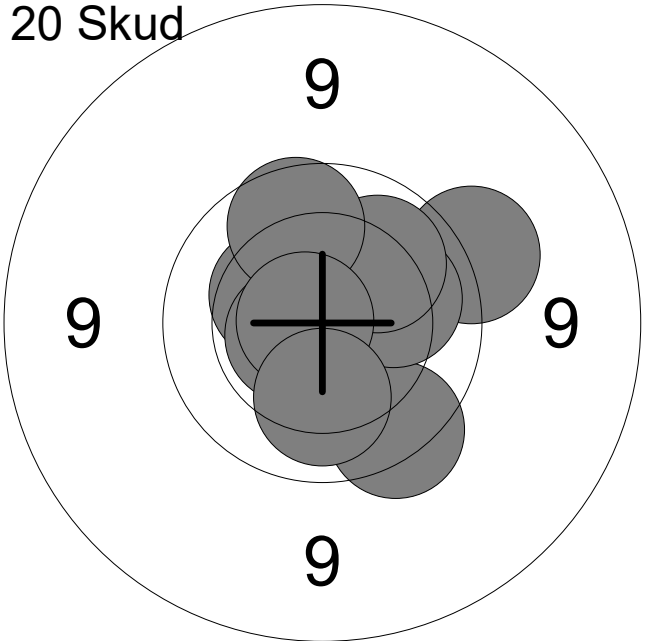
11: 9.9 ←	Serie	19 ( 1x)
12: 10.5x →		
	Total	0 ( 0x)

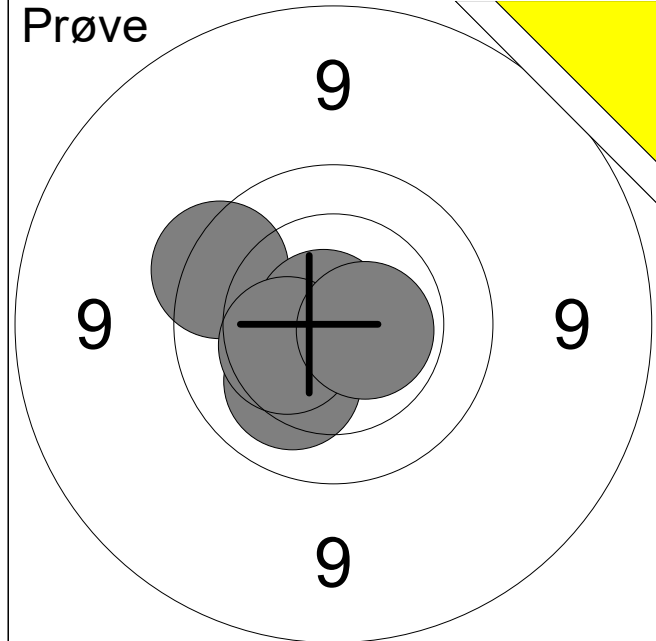


1: 10.4 ↗	6: 10.5 ↗	Serie	100 ( 3x)
2: 10.3 →	7: 10.8x ↓		
3: 10.1 ←	8: 10.7x ↗	Total	100 ( 3x)
4: 10.4 →	9: 10.5 ↑		
5: 10.3 →	10: 10.5x ↗		

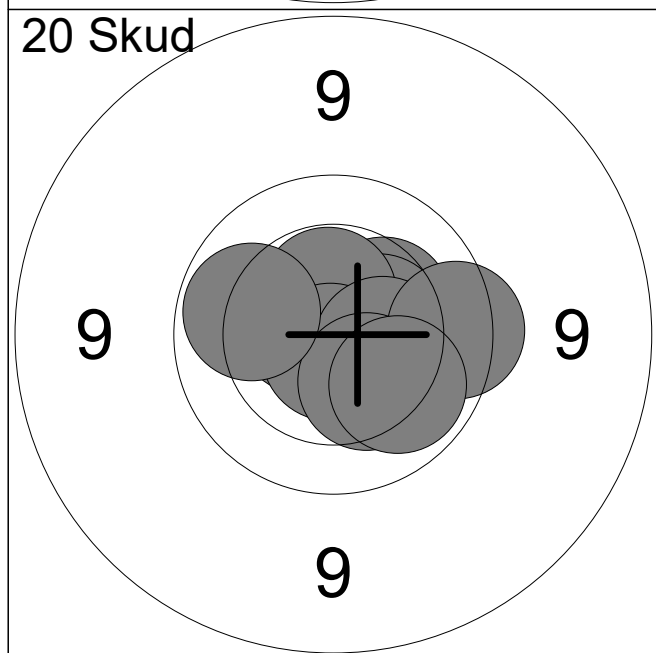
11: 10.4 ↓	16: 10.5x ↓	Serie	100 ( 3x)
12: 10.3 ↓	17: 10.4 ←		
13: 10.3 ←	18: 10.2 ↑	Total	200 ( 6x)
14: 10.2 ←	19: 10.7x ↗		
15: 10.9x ↘	20: 10.3 ←		

Hold <b>7</b>	Skive <b>3</b>	<b>Joergen Eskildsen</b>																																
ØSF		Bløvstrød SG&I - Skytteafd.		MÅ1																														
18.11.2024		Ølstykke Skydningen 2024		Ølstykke skytteforening																														
<b>Prøve</b>		<table border="0"> <tr><td>1:</td><td>10.1</td><td>→</td></tr> <tr><td>2:</td><td>10.9x</td><td>↓</td></tr> <tr><td>3:</td><td>9.8</td><td>↓</td></tr> <tr><td>4:</td><td>10.2</td><td>↓</td></tr> <tr><td>5:</td><td>10.4</td><td>←</td></tr> <tr><td>6:</td><td>10.4</td><td>←</td></tr> <tr><td>7:</td><td>10.8x</td><td>→</td></tr> <tr><td>8:</td><td>10.4</td><td>↓</td></tr> </table>			1:	10.1	→	2:	10.9x	↓	3:	9.8	↓	4:	10.2	↓	5:	10.4	←	6:	10.4	←	7:	10.8x	→	8:	10.4	↓						
1:	10.1	→																																
2:	10.9x	↓																																
3:	9.8	↓																																
4:	10.2	↓																																
5:	10.4	←																																
6:	10.4	←																																
7:	10.8x	→																																
8:	10.4	↓																																
		Serie		79 ( 2x)																														
		Total		0 ( 0x)																														
<b>20 Skud</b>		<table border="0"> <tr><td>1:</td><td>10.4</td><td>↑</td></tr> <tr><td>2:</td><td>10.5x</td><td>↓</td></tr> <tr><td>3:</td><td>10.5</td><td>←</td></tr> <tr><td>4:</td><td>10.6x</td><td>→</td></tr> <tr><td>5:</td><td>10.8x</td><td>←</td></tr> <tr><td>6:</td><td>10.6x</td><td>↓</td></tr> <tr><td>7:</td><td>10.5x</td><td>→</td></tr> <tr><td>8:</td><td>10.9x</td><td>←</td></tr> <tr><td>9:</td><td>10.6x</td><td>←</td></tr> <tr><td>10:</td><td>10.2</td><td>↗</td></tr> </table>			1:	10.4	↑	2:	10.5x	↓	3:	10.5	←	4:	10.6x	→	5:	10.8x	←	6:	10.6x	↓	7:	10.5x	→	8:	10.9x	←	9:	10.6x	←	10:	10.2	↗
1:	10.4	↑																																
2:	10.5x	↓																																
3:	10.5	←																																
4:	10.6x	→																																
5:	10.8x	←																																
6:	10.6x	↓																																
7:	10.5x	→																																
8:	10.9x	←																																
9:	10.6x	←																																
10:	10.2	↗																																
		Serie		100 ( 7x)																														
		Total		100 ( 7x)																														
<b>20 Skud</b>		<table border="0"> <tr><td>11:</td><td>10.1</td><td>↗</td></tr> <tr><td>12:</td><td>10.5x</td><td>↓</td></tr> <tr><td>13:</td><td>10.4</td><td>↓</td></tr> <tr><td>14:</td><td>10.6x</td><td>↑</td></tr> <tr><td>15:</td><td>10.4</td><td>↑</td></tr> <tr><td>16:</td><td>10.8x</td><td>←</td></tr> <tr><td>17:</td><td>10.2</td><td>↖</td></tr> <tr><td>18:</td><td>10.5x</td><td>↘</td></tr> <tr><td>19:</td><td>10.3</td><td>→</td></tr> <tr><td>20:</td><td>10.7x</td><td>↗</td></tr> </table>			11:	10.1	↗	12:	10.5x	↓	13:	10.4	↓	14:	10.6x	↑	15:	10.4	↑	16:	10.8x	←	17:	10.2	↖	18:	10.5x	↘	19:	10.3	→	20:	10.7x	↗
11:	10.1	↗																																
12:	10.5x	↓																																
13:	10.4	↓																																
14:	10.6x	↑																																
15:	10.4	↑																																
16:	10.8x	←																																
17:	10.2	↖																																
18:	10.5x	↘																																
19:	10.3	→																																
20:	10.7x	↗																																
		Serie		100 ( 5x)																														
		Total		200 ( 12x)																														

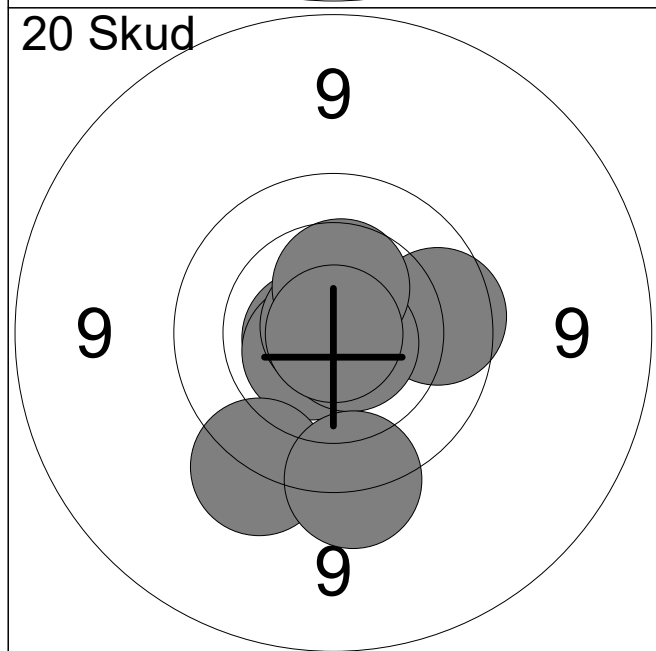
Hold	Skive	Benedicte Bodilsen		
7	4	ØSF	Blovstrød SG&I - Skytteafd.	MÅ2
18.11.2024	ØIstykke Skydningen 2024	ØIstykke skytteforening		
<b>Prøve</b> 	1:	10.2	↘	
	2:	10.5	↗	
	3:	10.0	→	
	4:	10.4	→	
	5:	10.4	←	
	6:	10.0	↑	
	7:	10.4	↖	
	8:	10.5x	↑	
	<b>Serie</b>			80 ( 1x)
	<b>Total</b>			0 ( 0x)
<b>20 Skud</b> 	1:	10.6x	←	
	2:	10.3	↓	
	3:	10.2	↑	
	4:	10.8x	→	
	5:	10.4	→	
	6:	10.1	↓	
	7:	10.3	←	
	8:	9.9	←	
	9:	10.6x	↓	
	10:	9.8	↖	
<b>Serie</b>			98 ( 3x)	
<b>Total</b>			98 ( 3x)	
<b>20 Skud</b> 	11:	9.7	↓	
	12:	9.5	↗	
	13:	10.6x	↑	
	14:	10.4	↖	
	15:	10.1	→	
	16:	10.1	↗	
	17:	10.6x	←	
	18:	9.9	↑	
	19:	10.8x	←	
	20:	10.1	↓	
<b>Serie</b>			97 ( 3x)	
<b>Total</b>			195 ( 6x)	



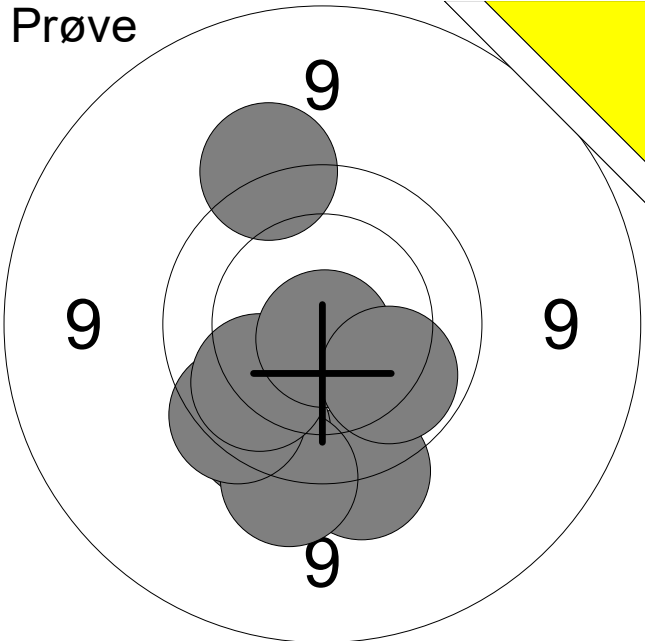
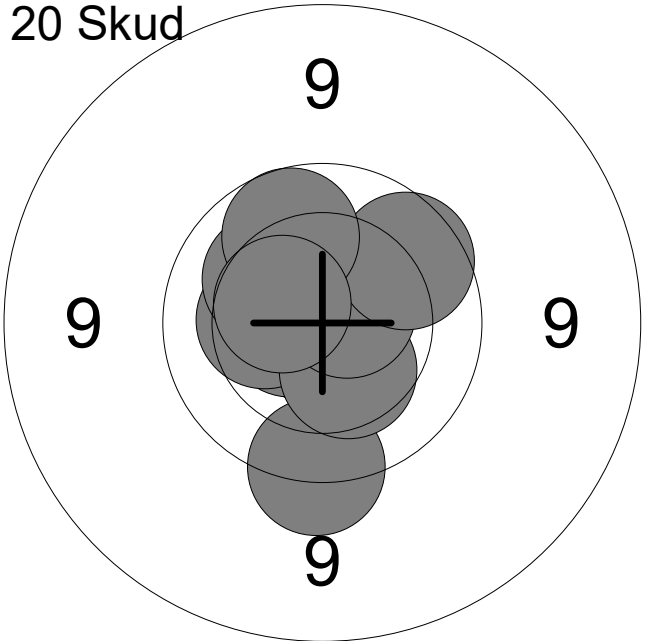
1:	9.7	↖
2:	10.2	↘
3:	10.8x	↗
4:	10.4	↙
5:	10.6x	→
<b>Serie</b>		<b>49 ( 2x)</b>
<b>Total</b>		<b>0 ( 0x)</b>



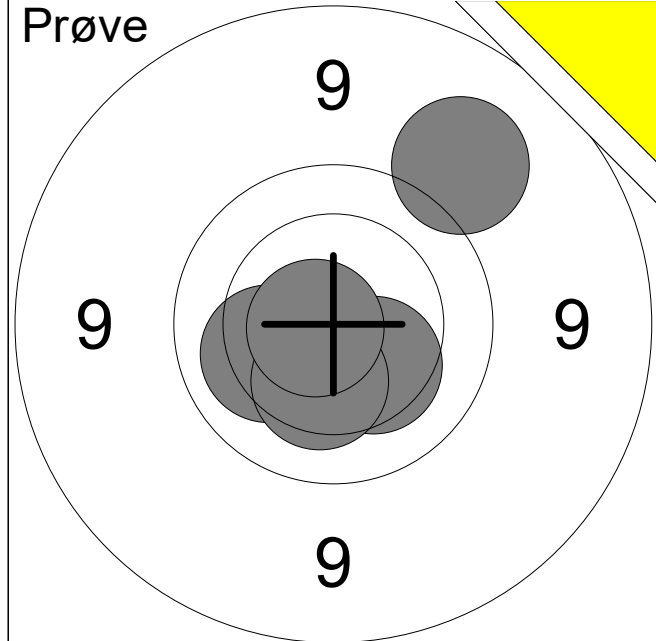
1:	10.6x	↖
2:	10.3	↗
3:	10.4	→
4:	10.5x	↑
5:	10.8x	↘
6:	10.4	→
7:	9.7	→
8:	10.3	↘
9:	10.1	↘
10:	10.0	↖
<b>Serie</b>		<b>99 ( 3x)</b>
<b>Total</b>		<b>99 ( 3x)</b>



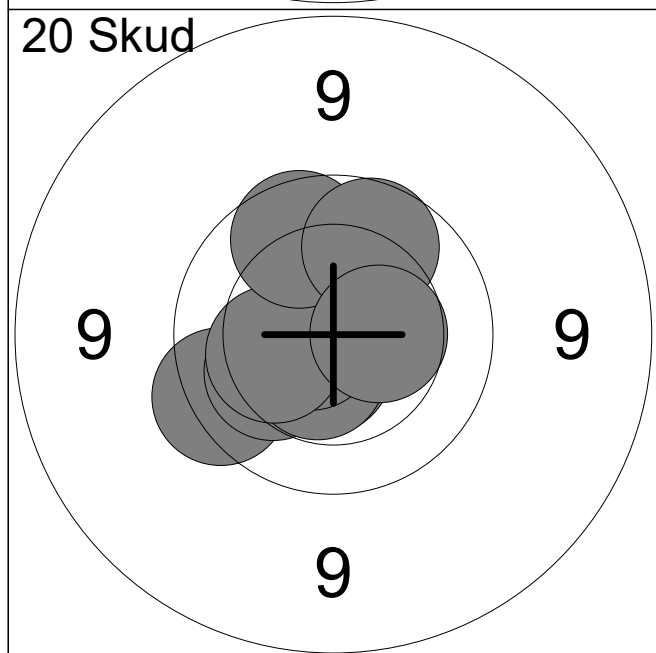
11:	10.7x	↘
12:	9.9	→
13:	10.7x	↖
14:	10.6x	↘
15:	9.6	↘
16:	10.7x	↘
17:	10.9x	↗
18:	9.6	↘
19:	10.4	↑
20:	10.9x	↘
<b>Serie</b>		<b>97 ( 6x)</b>
<b>Total</b>		<b>196 ( 9x)</b>

Hold <b>10</b>	Skive <b>1</b>	<b>Frederik Havsholm</b>		
ØSF		Strø S&G		BK2
18.11.2024		Ølstykke Skydningen 2024		Ølstykke skytteforening
<b>Prøve</b> 		1: 9.5 ↗ 2: 9.6 ↓ 3: 9.8 ↓ 4: 9.5 ↓ 5: 9.7 ↙ 6: 10.0 ↙ 7: 10.8x ↓ 8: 10.0 ↘	Serie 75 ( 1x) Total 0 ( 0x)	
<b>20 Skud</b> 		1: 10.7x ↓ 2: 10.1 ↑ 3: 10.4 ↓ 4: 9.9 ↗ 5: 10.7x → 6: 10.8x ← 7: 10.5x ↓ 8: 10.4 ↑ 9: 10.7x → 10: 10.2 ←	Serie 99 ( 5x) Total 99 ( 5x)	
<b>20 Skud</b> 		11: 10.8x ↓ 12: 10.6x ← 13: 10.3 ← 14: 9.6 ↓ 15: 10.4 ↓ 16: 10.6x → 17: 10.2 ↗ 18: 9.9 ↗ 19: 9.9 ↑ 20: 10.5 ←	Serie 97 ( 3x) Total 196 ( 8x)	

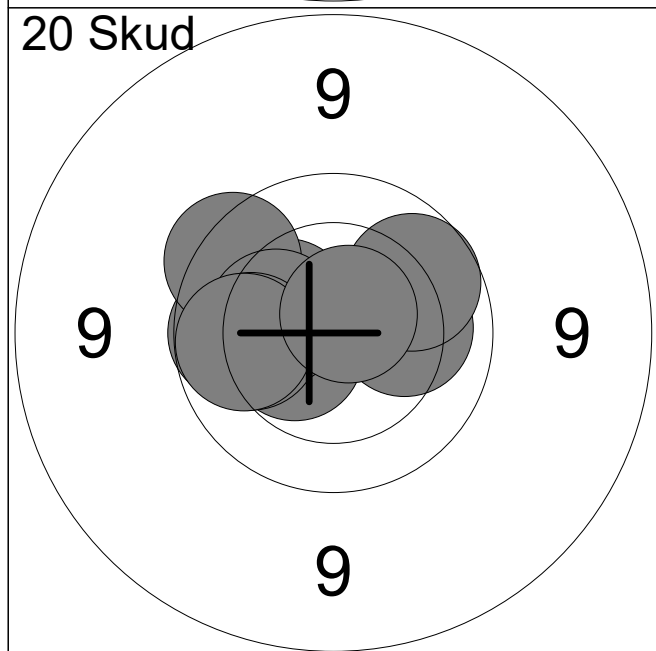
Hold <b>10</b>	Skive <b>2</b>	<b>Isabella Messerschmidt</b>																																
ØSF		Strø S&G		BK2																														
18.11.2024		Ølstykke Skydningen 2024		Ølstykke skytteforening																														
<b>Prøve</b>		<table border="0"> <tr><td>1:</td><td>9.5</td><td>→</td></tr> <tr><td>2:</td><td>10.3</td><td>↙</td></tr> <tr><td>3:</td><td>10.5</td><td>↘</td></tr> <tr><td>4:</td><td>10.6x</td><td>↘</td></tr> <tr><td>5:</td><td>10.7x</td><td>↘</td></tr> </table>			1:	9.5	→	2:	10.3	↙	3:	10.5	↘	4:	10.6x	↘	5:	10.7x	↘															
1:	9.5	→																																
2:	10.3	↙																																
3:	10.5	↘																																
4:	10.6x	↘																																
5:	10.7x	↘																																
		Serie		49 ( 2x)																														
		Total		0 ( 0x)																														
<b>20 Skud</b>		<table border="0"> <tr><td>1:</td><td>10.2</td><td>←</td></tr> <tr><td>2:</td><td>10.7x</td><td>↙</td></tr> <tr><td>3:</td><td>10.1</td><td>↙</td></tr> <tr><td>4:</td><td>10.6x</td><td>↑</td></tr> <tr><td>5:</td><td>9.8</td><td>↖</td></tr> <tr><td>6:</td><td>10.4</td><td>↘</td></tr> <tr><td>7:</td><td>10.4</td><td>→</td></tr> <tr><td>8:</td><td>9.9</td><td>↘</td></tr> <tr><td>9:</td><td>10.1</td><td>↓</td></tr> <tr><td>10:</td><td>10.2</td><td>↓</td></tr> </table>			1:	10.2	←	2:	10.7x	↙	3:	10.1	↙	4:	10.6x	↑	5:	9.8	↖	6:	10.4	↘	7:	10.4	→	8:	9.9	↘	9:	10.1	↓	10:	10.2	↓
1:	10.2	←																																
2:	10.7x	↙																																
3:	10.1	↙																																
4:	10.6x	↑																																
5:	9.8	↖																																
6:	10.4	↘																																
7:	10.4	→																																
8:	9.9	↘																																
9:	10.1	↓																																
10:	10.2	↓																																
		Serie		98 ( 2x)																														
		Total		98 ( 2x)																														
<b>20 Skud</b>		<table border="0"> <tr><td>11:</td><td>10.1</td><td>↓</td></tr> <tr><td>12:</td><td>10.2</td><td>↙</td></tr> <tr><td>13:</td><td>10.3</td><td>↗</td></tr> <tr><td>14:</td><td>10.9x</td><td>↖</td></tr> <tr><td>15:</td><td>10.1</td><td>↘</td></tr> <tr><td>16:</td><td>10.0</td><td>↗</td></tr> <tr><td>17:</td><td>10.1</td><td>↘</td></tr> <tr><td>18:</td><td>10.9x</td><td>→</td></tr> <tr><td>19:</td><td>10.0</td><td>↘</td></tr> <tr><td>20:</td><td>10.1</td><td>↘</td></tr> </table>			11:	10.1	↓	12:	10.2	↙	13:	10.3	↗	14:	10.9x	↖	15:	10.1	↘	16:	10.0	↗	17:	10.1	↘	18:	10.9x	→	19:	10.0	↘	20:	10.1	↘
11:	10.1	↓																																
12:	10.2	↙																																
13:	10.3	↗																																
14:	10.9x	↖																																
15:	10.1	↘																																
16:	10.0	↗																																
17:	10.1	↘																																
18:	10.9x	→																																
19:	10.0	↘																																
20:	10.1	↘																																
		Serie		100 ( 2x)																														
		Total		198 ( 4x)																														



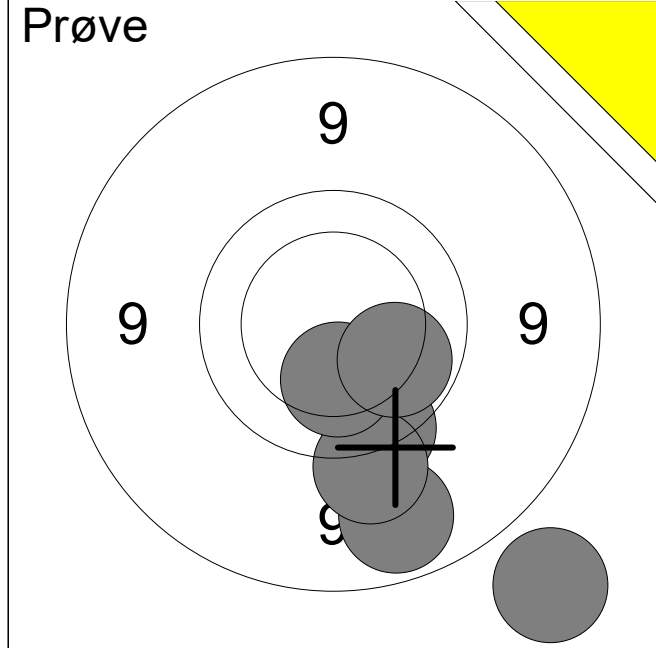
1:	9.2	↗
2:	10.3	↘
3:	10.2	←
4:	10.3	↓
5:	10.7x	←
<b>Serie</b>		<b>49 ( 1x)</b>
<b>Total</b>		<b>0 ( 0x)</b>



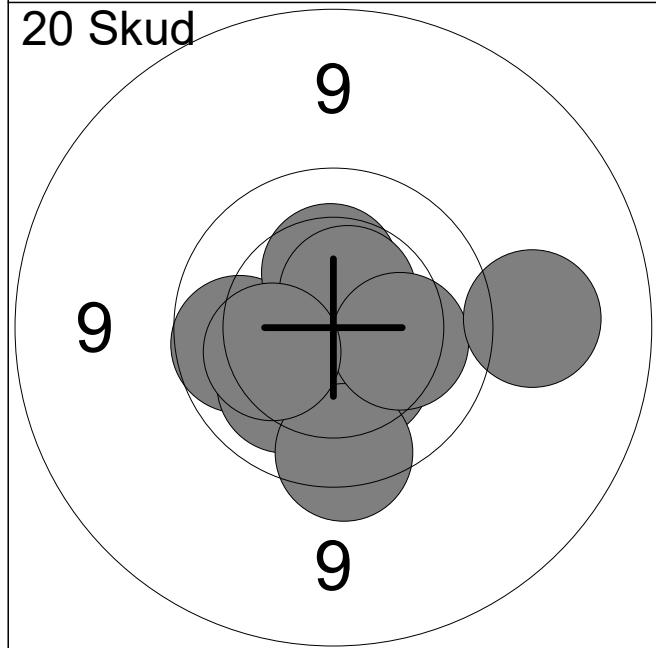
1:	9.7	←
2:	10.2	←
3:	10.6x	↓
4:	10.8x	←
5:	10.5x	↓
6:	10.7x	←
7:	10.3	←
8:	9.9	↑
9:	9.9	↑
10:	10.4	→
<b>Serie</b>		<b>97 ( 4x)</b>
<b>Total</b>		<b>97 ( 4x)</b>



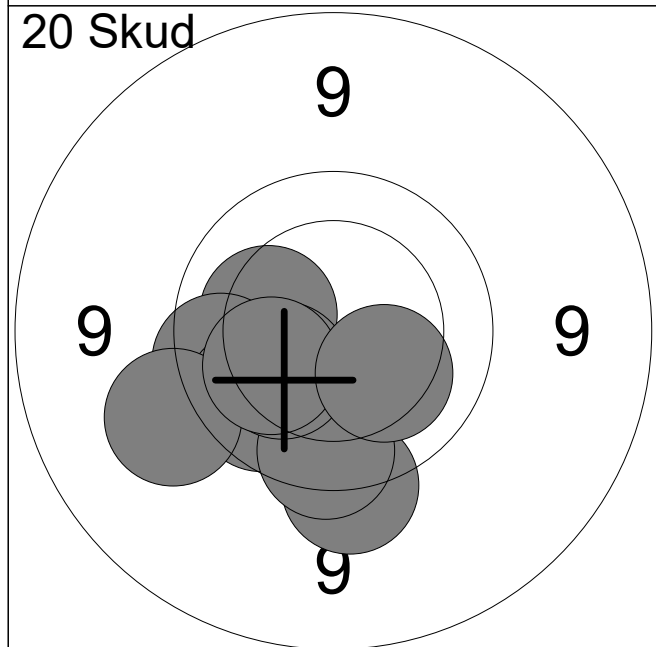
11:	10.2	→
12:	10.3	←
13:	9.9	←
14:	10.5	←
15:	9.9	↗
16:	9.7	↖
17:	10.3	←
18:	10.0	←
19:	10.0	←
20:	10.7x	↗
<b>Serie</b>		<b>97 ( 1x)</b>
<b>Total</b>		<b>194 ( 5x)</b>



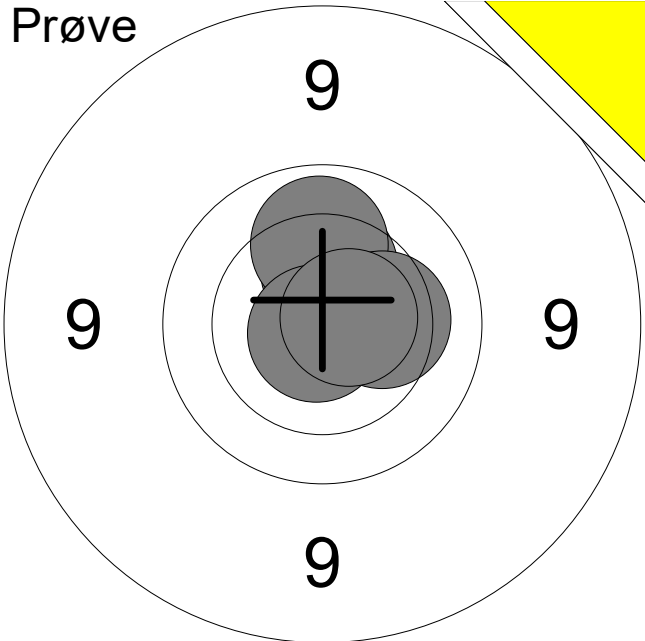
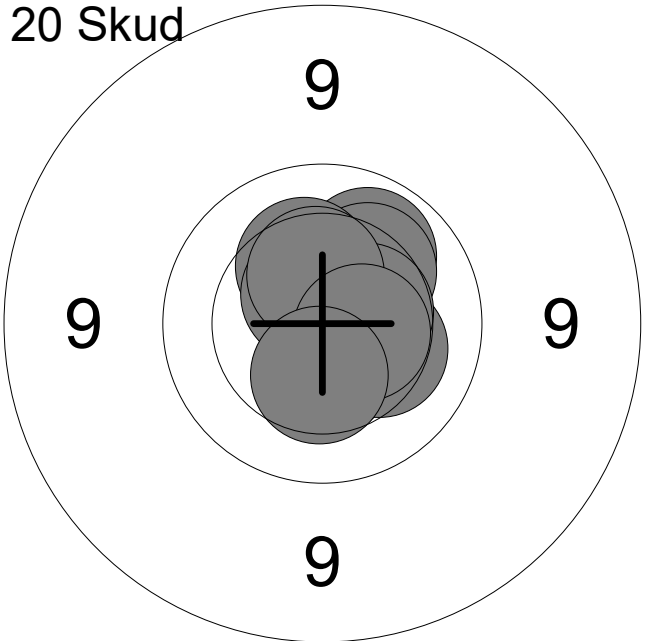
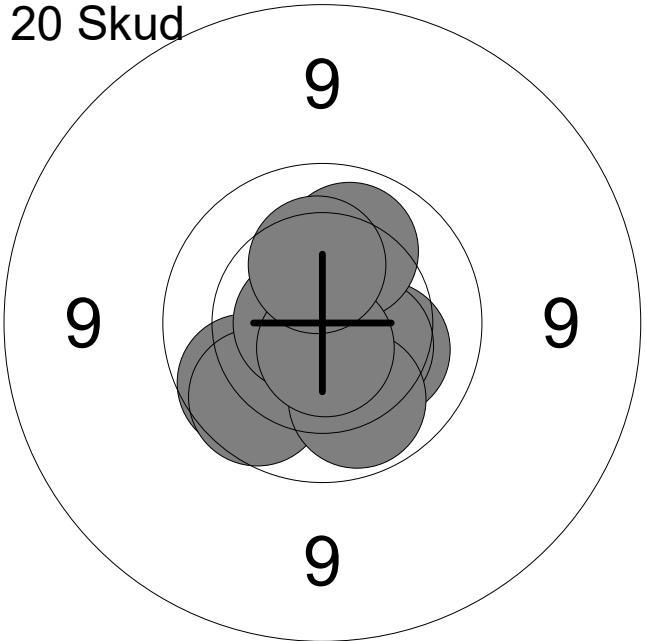
1:	8.3	↘
2:	9.0	↘
3:	9.7	↘
4:	9.4	↘
5:	10.2	↘
6:	10.0	↘
<b>Serie</b>		<b>55 ( 0x)</b>
<b>Total</b>		<b>0 ( 0x)</b>

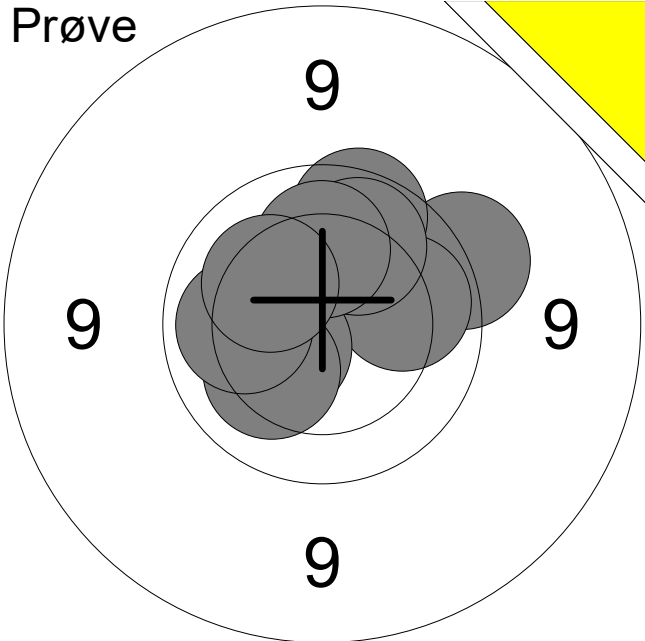
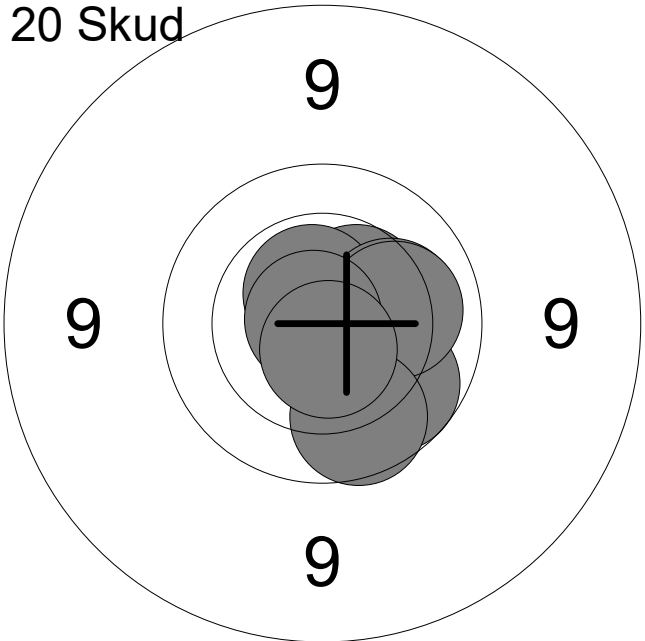
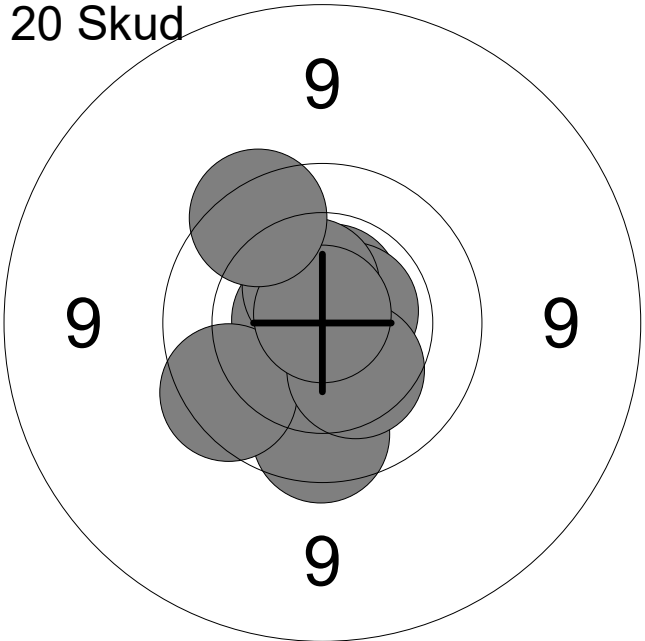


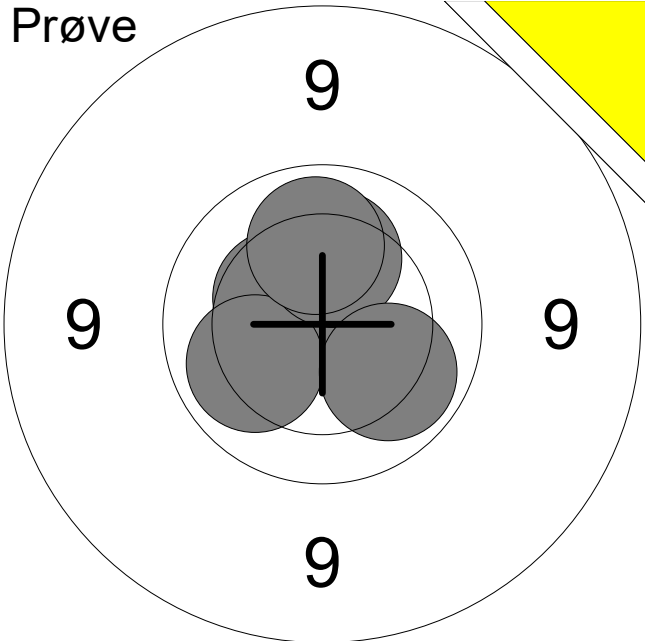
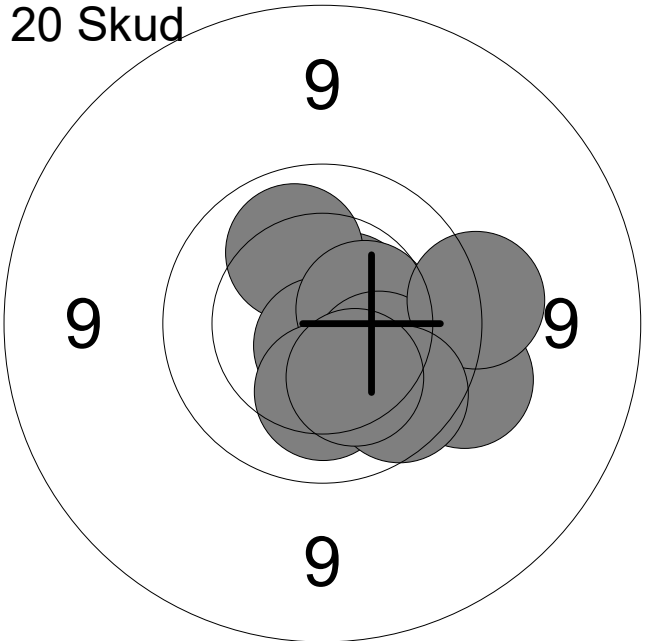
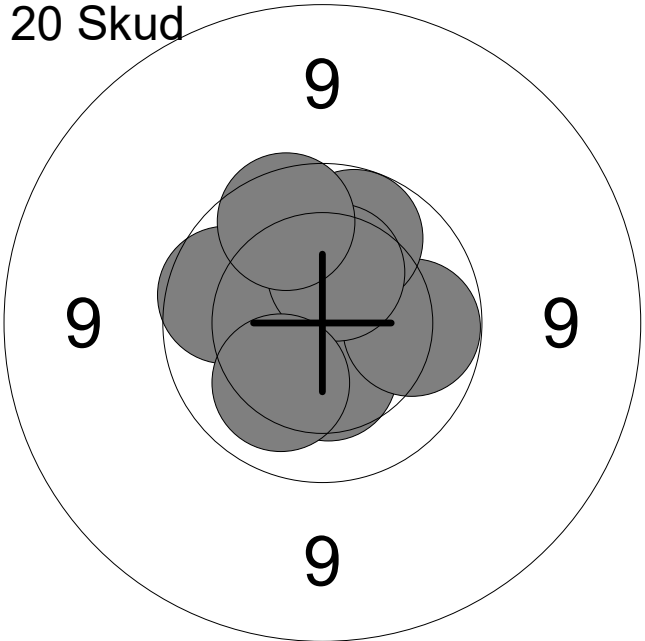
1:	10.4	↘
2:	9.9	←
3:	10.8x	↑
4:	10.3	↑
5:	10.6x	↑
6:	10.1	↘
7:	9.7	↓
8:	10.2	→
9:	9.3	→
10:	10.2	←
<b>Serie</b>		<b>97 ( 2x)</b>
<b>Total</b>		<b>97 ( 2x)</b>

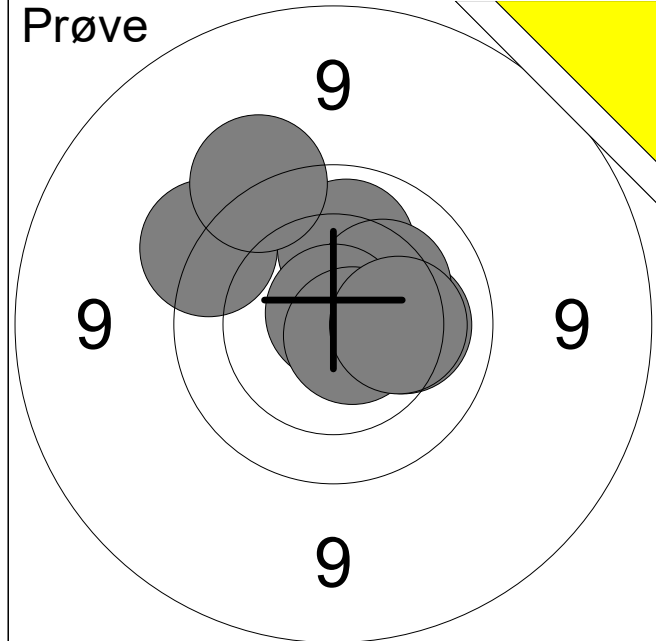


11:	10.2	←
12:	9.8	←
13:	9.9	↘
14:	9.5	↓
15:	9.9	↘
16:	9.4	←
17:	9.8	↓
18:	10.2	↘
19:	10.2	↘
20:	10.2	↘
<b>Serie</b>		<b>94 ( 0x)</b>
<b>Total</b>		<b>191 ( 2x)</b>

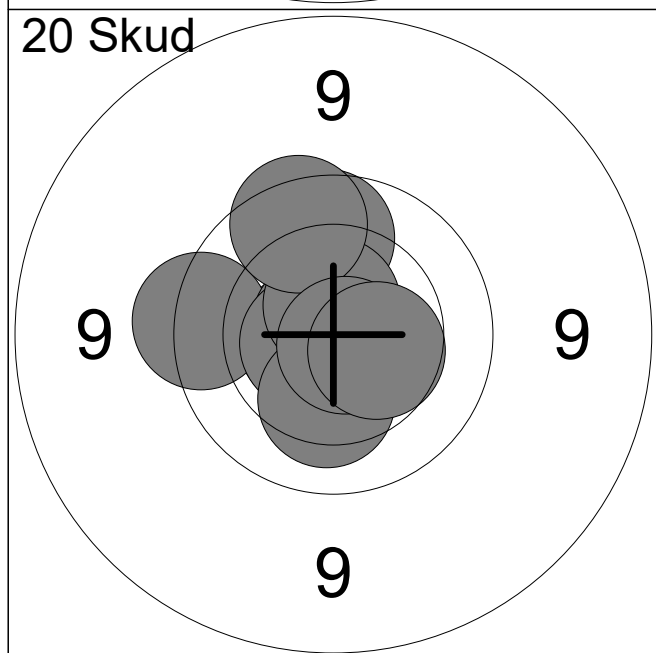
Hold	Skive	Simone Misfeldt Kvist-Andersen																																
10	6	Ganløse Skytteforening		Å2																														
18.11.2024	Ølstykke Skydningen 2024		Ølstykke skytteforening																															
Prøve		<table border="0"> <tr><td>1:</td><td>10.3</td><td>↑</td></tr> <tr><td>2:</td><td>10.1</td><td>↑</td></tr> <tr><td>3:</td><td>10.3</td><td>→</td></tr> <tr><td>4:</td><td>10.8x</td><td>↓</td></tr> <tr><td>5:</td><td>10.6x</td><td>→</td></tr> </table>			1:	10.3	↑	2:	10.1	↑	3:	10.3	→	4:	10.8x	↓	5:	10.6x	→															
1:	10.3	↑																																
2:	10.1	↑																																
3:	10.3	→																																
4:	10.8x	↓																																
5:	10.6x	→																																
		Serie 50 ( 2x)																																
		Total 0 ( 0x)																																
20 Skud		<table border="0"> <tr><td>1:</td><td>10.5</td><td>↓</td></tr> <tr><td>2:</td><td>10.1</td><td>↗</td></tr> <tr><td>3:</td><td>10.2</td><td>↗</td></tr> <tr><td>4:</td><td>10.3</td><td>→</td></tr> <tr><td>5:</td><td>10.3</td><td>↑</td></tr> <tr><td>6:</td><td>10.5</td><td>→</td></tr> <tr><td>7:</td><td>10.6x</td><td>↗</td></tr> <tr><td>8:</td><td>10.4</td><td>↑</td></tr> <tr><td>9:</td><td>10.5x</td><td>→</td></tr> <tr><td>10:</td><td>10.4</td><td>↓</td></tr> </table>			1:	10.5	↓	2:	10.1	↗	3:	10.2	↗	4:	10.3	→	5:	10.3	↑	6:	10.5	→	7:	10.6x	↗	8:	10.4	↑	9:	10.5x	→	10:	10.4	↓
1:	10.5	↓																																
2:	10.1	↗																																
3:	10.2	↗																																
4:	10.3	→																																
5:	10.3	↑																																
6:	10.5	→																																
7:	10.6x	↗																																
8:	10.4	↑																																
9:	10.5x	→																																
10:	10.4	↓																																
		Serie 100 ( 2x)																																
		Total 100 ( 2x)																																
20 Skud		<table border="0"> <tr><td>11:</td><td>9.9</td><td>↙</td></tr> <tr><td>12:</td><td>9.9</td><td>↙</td></tr> <tr><td>13:</td><td>10.4</td><td>→</td></tr> <tr><td>14:</td><td>10.2</td><td>→</td></tr> <tr><td>15:</td><td>10.4</td><td>→</td></tr> <tr><td>16:</td><td>10.0</td><td>↓</td></tr> <tr><td>17:</td><td>10.1</td><td>↗</td></tr> <tr><td>18:</td><td>10.7x</td><td>←</td></tr> <tr><td>19:</td><td>10.7x</td><td>↓</td></tr> <tr><td>20:</td><td>10.3</td><td>↑</td></tr> </table>			11:	9.9	↙	12:	9.9	↙	13:	10.4	→	14:	10.2	→	15:	10.4	→	16:	10.0	↓	17:	10.1	↗	18:	10.7x	←	19:	10.7x	↓	20:	10.3	↑
11:	9.9	↙																																
12:	9.9	↙																																
13:	10.4	→																																
14:	10.2	→																																
15:	10.4	→																																
16:	10.0	↓																																
17:	10.1	↗																																
18:	10.7x	←																																
19:	10.7x	↓																																
20:	10.3	↑																																
		Serie 98 ( 2x)																																
		Total 198 ( 4x)																																

Hold <b>10</b>	Skive <b>7</b>	<b>Finn Jensen</b>		
ØSF		Melby Skytteforening	SE2	
18.11.2024		Ølstykke Skydningen 2024	Ølstykke skytteforening	
<b>Prøve</b> 	1:	9.6	➔	
	2:	9.8	↑	
	3:	10.0	➔	
	4:	10.2	↖	
	5:	10.4	↙	
	6:	10.0	↑	
	7:	10.2	↙	
	8:	10.1	←	
	9:	10.1	↑	
	10:	10.2	↖	
Serie			98 ( 0x)	
Total			0 ( 0x)	
<b>20 Skud</b> 	1:	10.9x	↙	
	2:	9.9	↘	
	3:	10.6x	➔	
	4:	10.5	↗	
	5:	10.6x	↑	
	6:	10.2	➔	
	7:	10.1	➔	
	8:	10.8x	↖	
	9:	9.9	↘	
	10:	10.7x	↘	
Serie			98 ( 5x)	
Total			98 ( 5x)	
<b>20 Skud</b> 	11:	10.6x	↑	
	12:	10.1	↘	
	13:	9.8	↘	
	14:	10.7x	←	
	15:	10.6x	➔	
	16:	10.5x	↑	
	17:	9.8	↙	
	18:	10.3	↘	
	19:	10.8x	↑	
	20:	9.7	↖	
Serie			97 ( 5x)	
Total			195 (10x)	

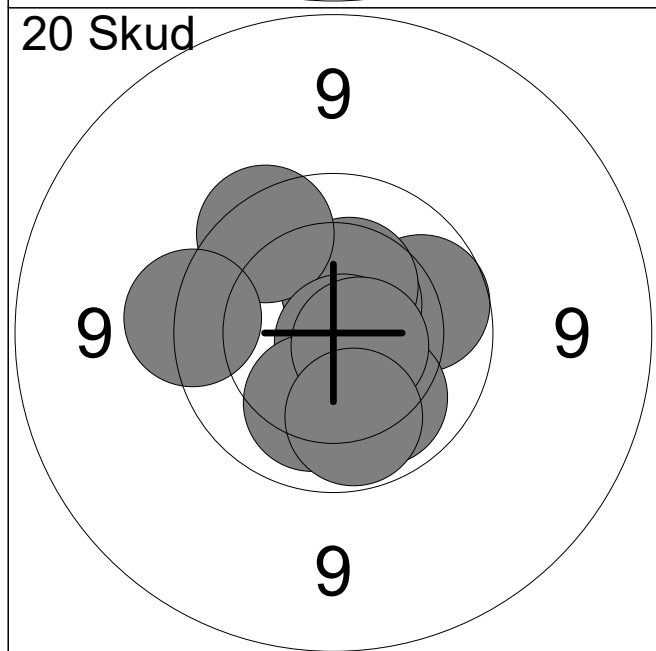
Hold <b>10</b>	Skive <b>8</b>	<b>Joergen Nielsen</b>		
ØSF		Melby Skytteforening		SE2
18.11.2024		Ølstykke Skydningen 2024		Ølstykke skytteforening
<b>Prøve</b> 		1: 10.4 ↗ 2: 10.1 ↖ 3: 10.2 ↑ 4: 10.1 ↘ 5: 10.1 ↑		
		Serie		50 ( 0x)
		Total		0 ( 0x)
<b>20 Skud</b> 		1: 10.6x ↗ 2: 10.1 ↑ 3: 10.7x ↓ 4: 10.5 → 5: 10.2 ↘ 6: 9.6 ↘ 7: 10.2 ↓ 8: 9.5 → 9: 9.9 ↘ 10: 10.3 ↓		
		Serie		97 ( 2x)
		Total		97 ( 2x)
<b>20 Skud</b> 		11: 10.5x ↖ 12: 10.8x ↗ 13: 10.4 ↖ 14: 10.4 ↓ 15: 10.0 → 16: 9.9 ↖ 17: 10.0 ↑ 18: 10.4 ↑ 19: 10.1 ↖ 20: 9.8 ↑		
		Serie		98 ( 2x)
		Total		195 ( 4x)



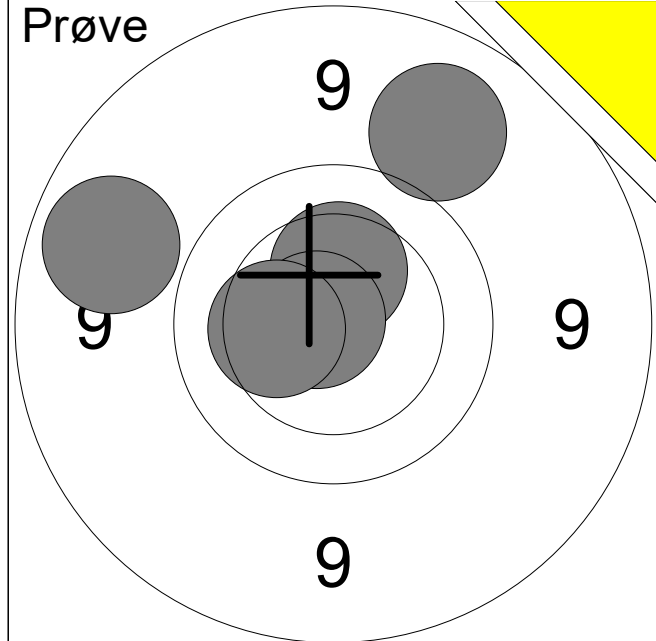
1:	9.6	↖
2:	10.1	↑
3:	10.2	→
4:	10.3	↗
5:	9.5	↖
6:	10.8x	↑
7:	10.7x	↘
8:	10.2	→
<b>Serie</b>		<b>78 ( 2x)</b>
<b>Total</b>		<b>0 ( 0x)</b>



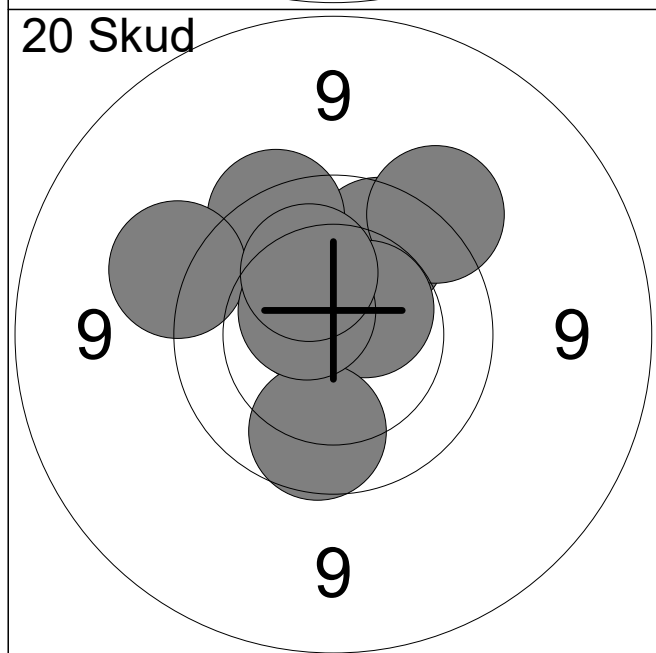
1:	10.6x	←
2:	9.7	←
3:	9.9	↑
4:	10.8x	↗
5:	10.7x	←
6:	10.6x	↑
7:	9.8	↑
8:	10.2	↓
9:	10.8x	↘
10:	10.4	→
<b>Serie</b>		<b>97 ( 5x)</b>
<b>Total</b>		<b>97 ( 5x)</b>



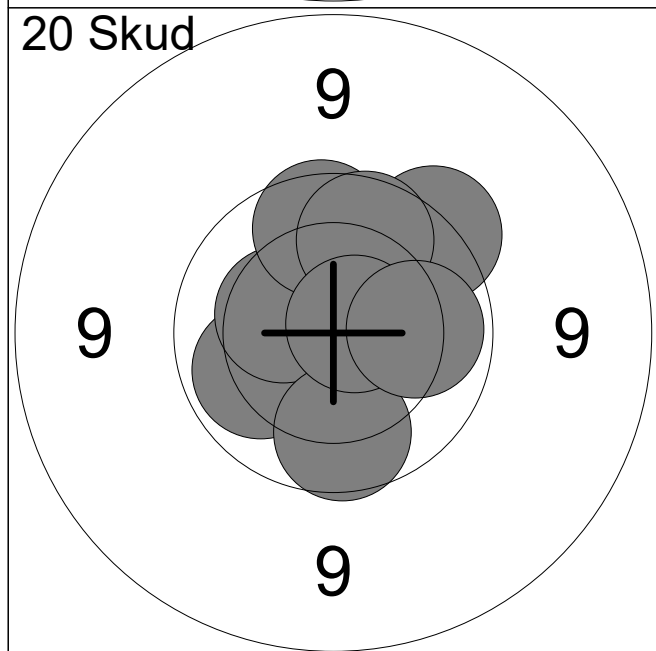
11:	9.9	→
12:	10.6x	↗
13:	10.1	↘
14:	10.4	↑
15:	9.8	↗
16:	10.8x	↘
17:	10.1	↓
18:	9.6	←
19:	10.6x	↘
20:	10.0	↓
<b>Serie</b>		<b>97 ( 3x)</b>
<b>Total</b>		<b>194 ( 8x)</b>



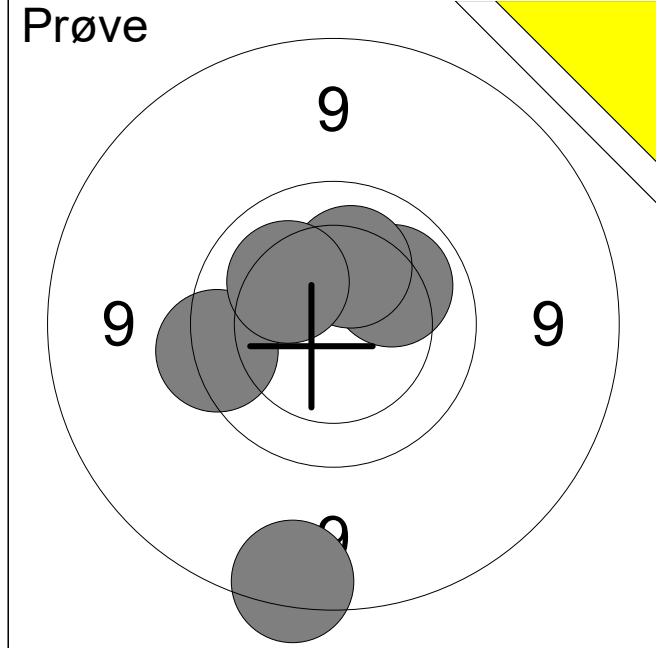
1:	9.1	↗
2:	9.0	↖
3:	10.4	↑
4:	10.8x	↖
5:	10.3	↖
<b>Serie</b>		<b>48 ( 1x)</b>
<b>Total</b>		<b>0 ( 0x)</b>



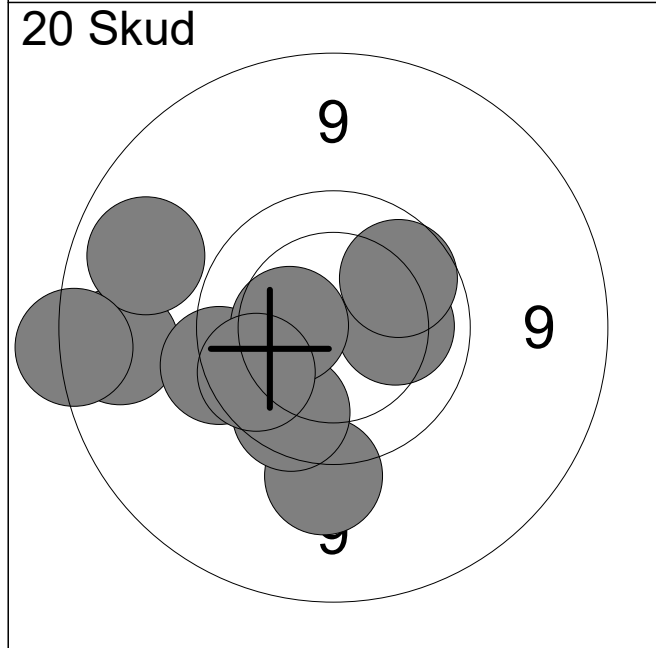
1:	9.9	↗
2:	10.7x	↗
3:	9.5	↗
4:	10.7x	↗
5:	9.7	↗
6:	10.5x	↗
7:	9.5	↖
8:	9.9	↓
9:	10.6x	↗
10:	10.2	↗
<b>Serie</b>		<b>95 ( 4x)</b>
<b>Total</b>		<b>95 ( 4x)</b>



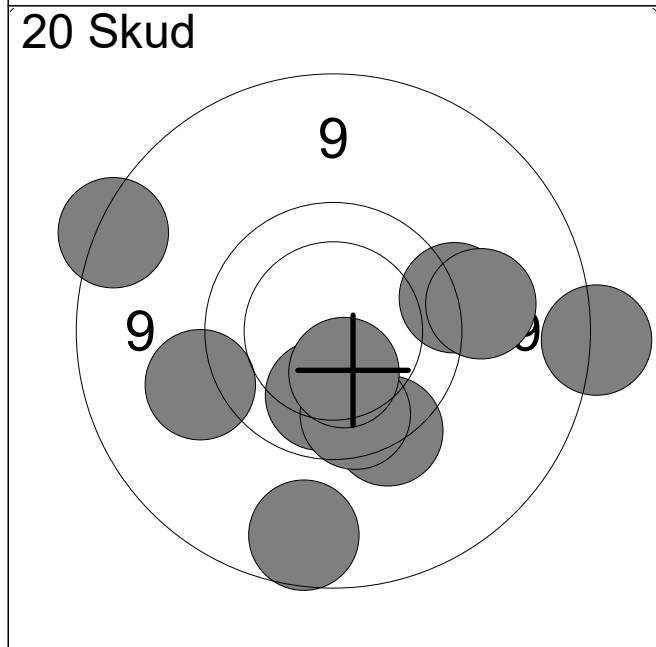
11:	10.4	↖
12:	10.1	↖
13:	10.7x	→
14:	10.4	↖
15:	9.9	↓
16:	9.9	↑
17:	9.6	↗
18:	9.9	↗
19:	10.7x	→
20:	10.0	→
<b>Serie</b>		<b>96 ( 2x)</b>
<b>Total</b>		<b>191 ( 6x)</b>



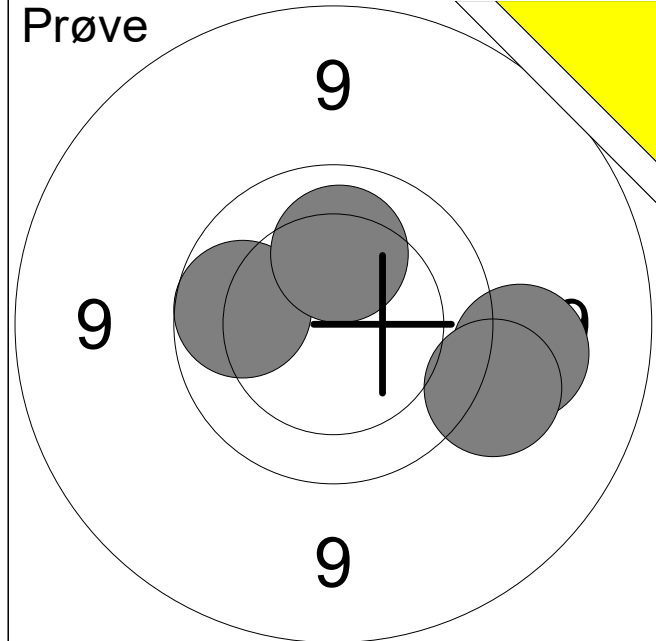
1:	10.1	↗
2:	8.8	↓
3:	9.7	←
4:	10.2	↑
5:	10.2	↖
<b>Serie</b>		<b>47 ( 0x)</b>
<b>Total</b>		<b>0 ( 0x)</b>



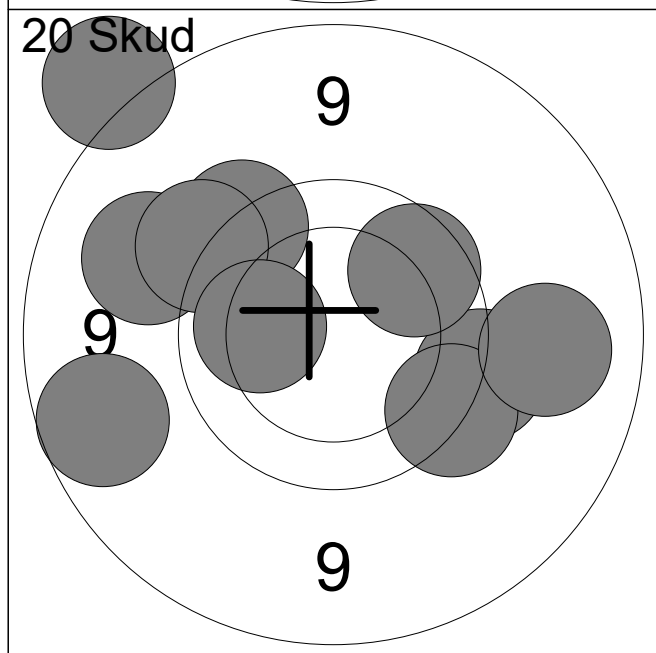
1:	9.4	↓
2:	9.8	↓
3:	9.0	←
4:	10.2	→
5:	9.6	←
6:	9.9	↗
7:	10.4	←
8:	9.1	←
9:	9.9	←
10:	8.7	←
<b>Serie</b>		<b>91 ( 0x)</b>
<b>Total</b>		<b>91 ( 0x)</b>



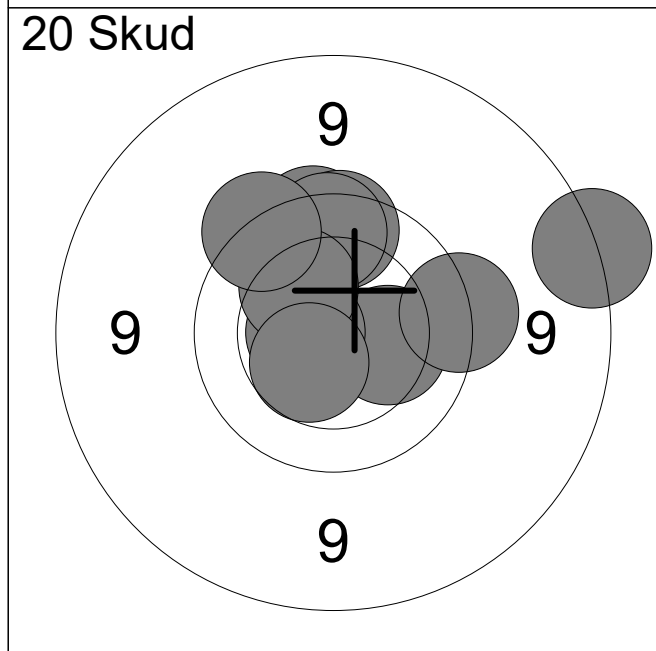
11:	10.1	↓
12:	9.5	→
13:	9.6	↓
14:	8.8	↖
15:	8.9	↓
16:	9.8	↓
17:	10.4	↓
18:	9.4	←
19:	8.6	→
20:	9.4	→
<b>Serie</b>		<b>89 ( 0x)</b>
<b>Total</b>		<b>180 ( 0x)</b>



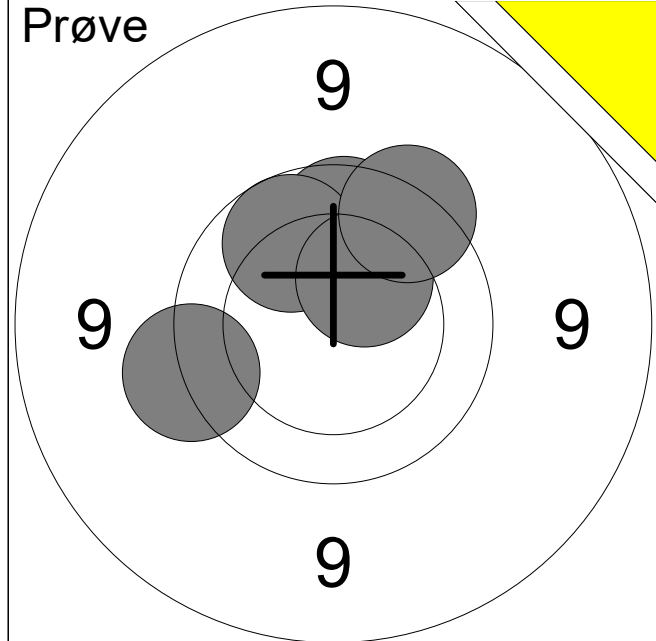
1:	9.3	→
2:	9.4	→
3:	9.9	←
4:	10.2	↑
<b>Serie</b>		<b>37 ( 0x)</b>
<b>Total</b>		<b>0 ( 0x)</b>



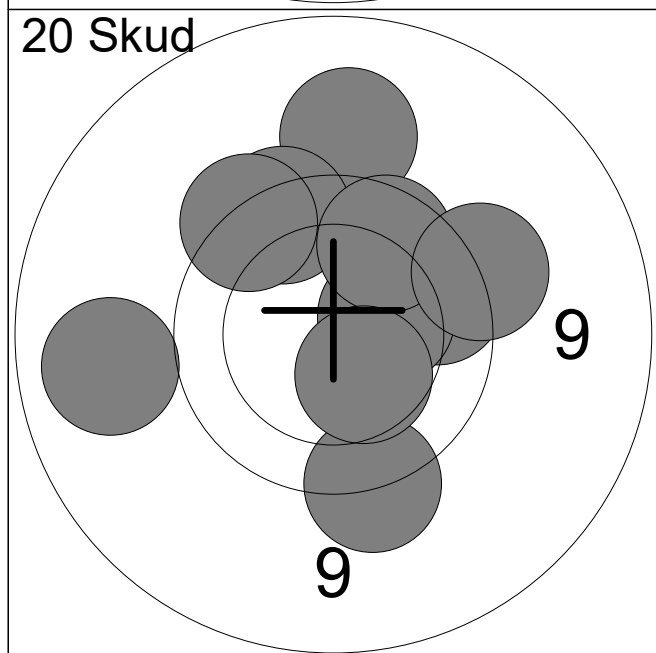
1:	9.2	←
2:	9.6	↗
3:	9.5	→
4:	8.9	←
5:	9.5	↗
6:	9.6	↘
7:	9.9	↗
8:	9.2	→
9:	10.1	←
10:	8.6	↗
<b>Serie</b>		<b>89 ( 0x)</b>
<b>Total</b>		<b>89 ( 0x)</b>



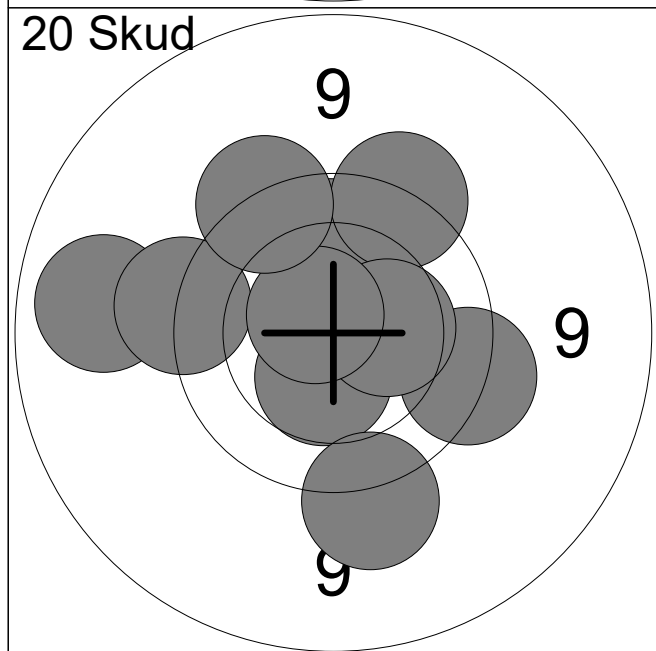
11:	9.7	↑
12:	9.8	↑
13:	10.2	→
14:	9.6	→
15:	8.7	→
16:	10.6x	←
17:	9.8	↑
18:	10.2	↗
19:	10.5	↘
20:	9.6	↗
<b>Serie</b>		<b>93 ( 1x)</b>
<b>Total</b>		<b>182 ( 1x)</b>



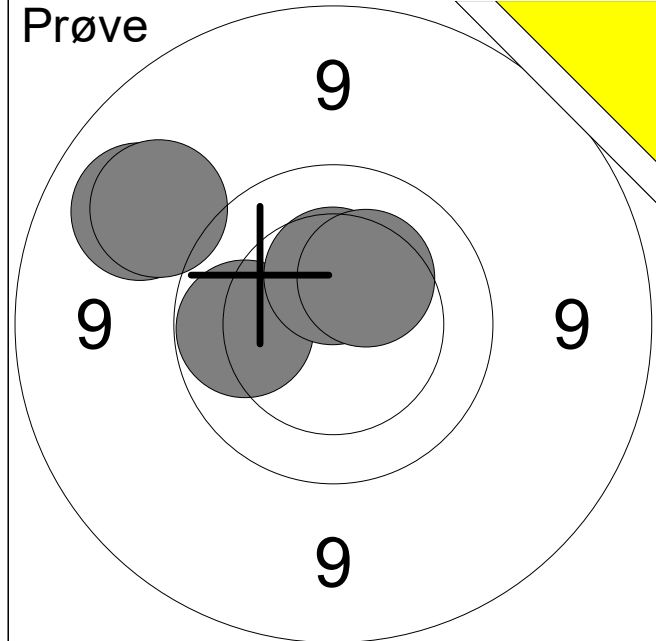
1:	9.9	↑
2:	9.9	↖
3:	9.6	←
4:	10.3	↗
5:	9.7	↗
<b>Serie</b>		<b>46 ( 0x)</b>
<b>Total</b>		<b>0 ( 0x)</b>



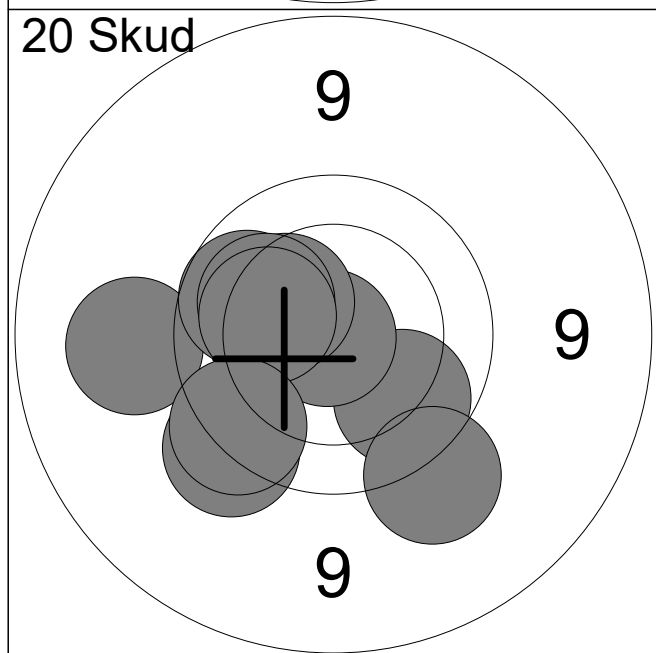
1:	9.1	←
2:	9.8	→
3:	10.3	→
4:	9.3	↑
5:	9.7	↑
6:	9.9	↗
7:	9.5	→
8:	9.6	↗
9:	9.6	↓
10:	10.4	↓
<b>Serie</b>		<b>92 ( 0x)</b>
<b>Total</b>		<b>92 ( 0x)</b>



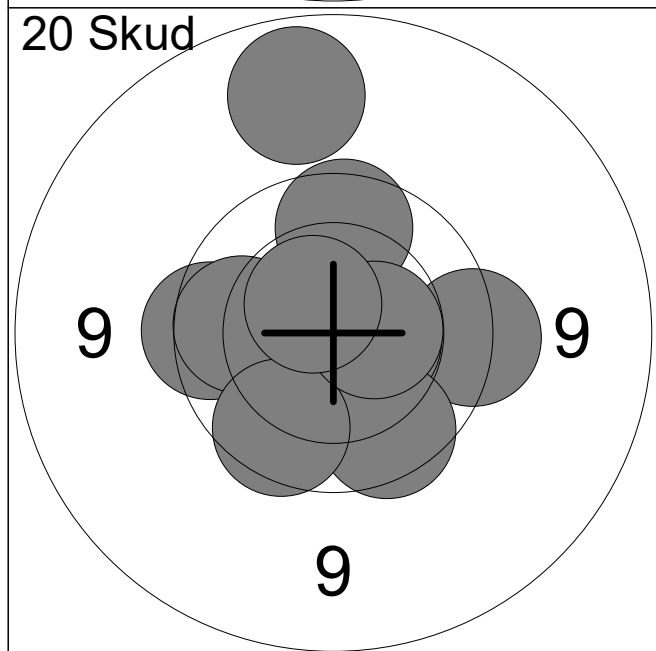
11:	10.0	↑
12:	10.5	↓
13:	9.6	↗
14:	9.1	←
15:	9.6	→
16:	9.4	↓
17:	9.6	←
18:	10.4	→
19:	10.7x	↗
20:	9.6	↗
<b>Serie</b>		<b>94 ( 1x)</b>
<b>Total</b>		<b>186 ( 1x)</b>



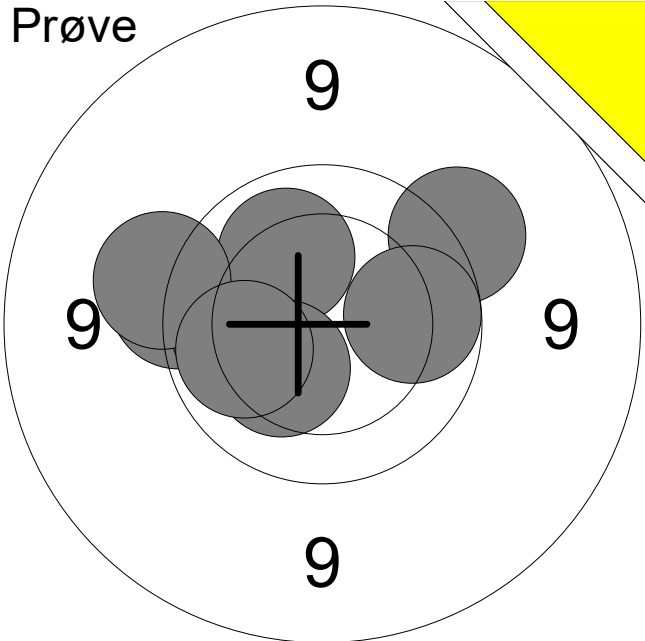
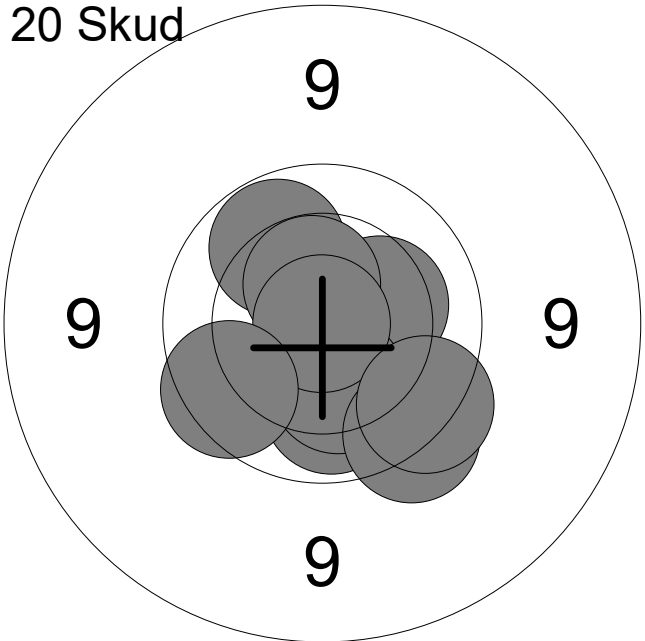
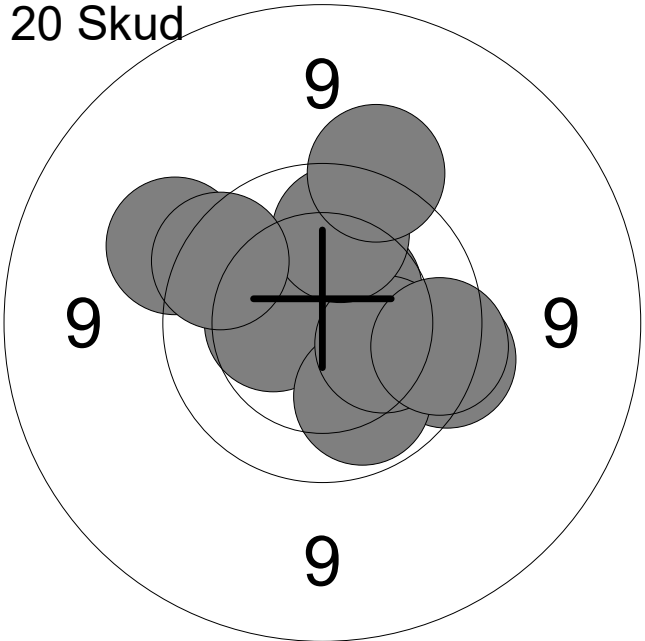
1:	9.1	↖
2:	10.0	←
3:	9.2	↖
4:	10.4	↑
5:	10.3	↗
<b>Serie</b>		<b>48 ( 0x)</b>
<b>Total</b>		<b>0 ( 0x)</b>

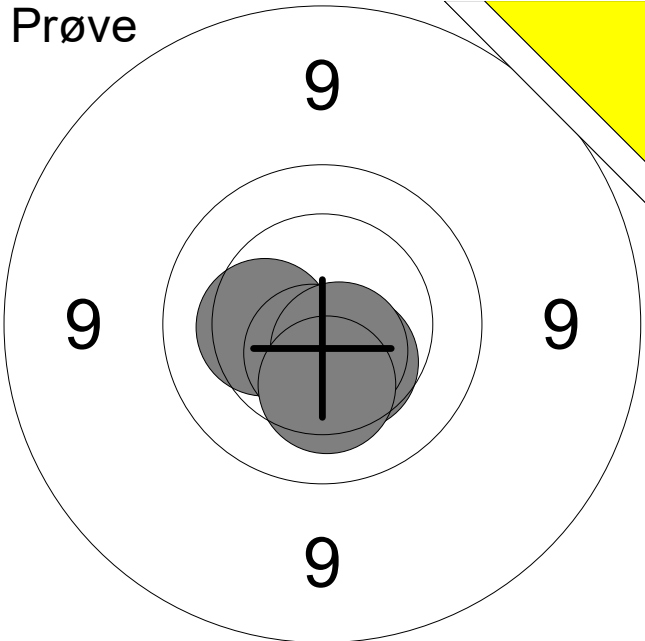
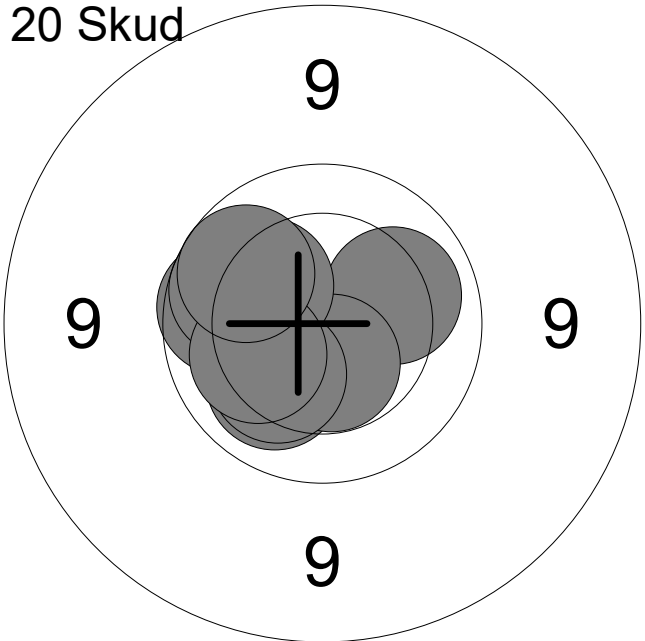
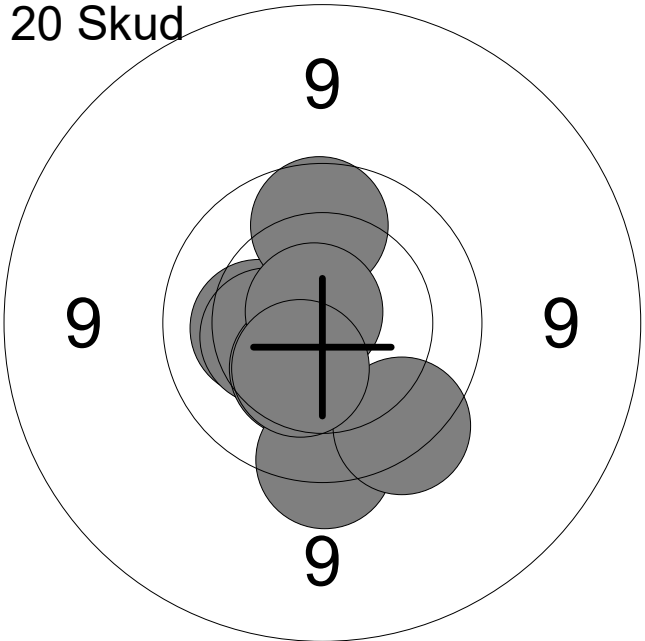


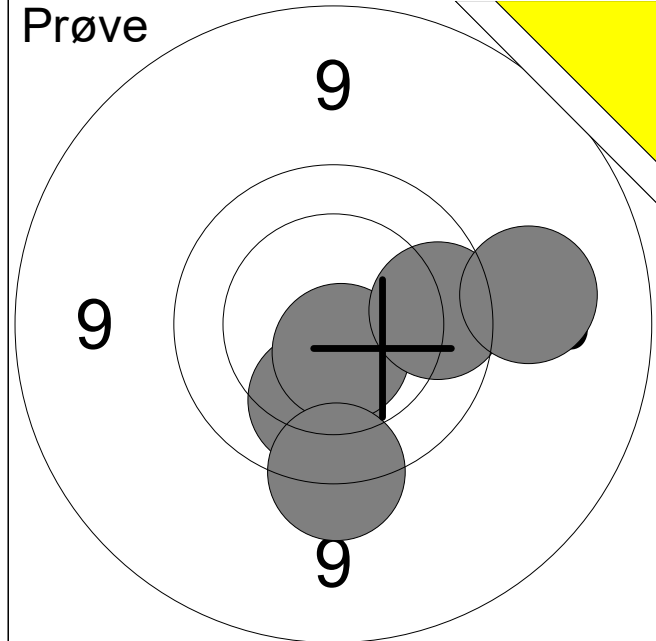
1:	9.9	↘
2:	10.9x	←
3:	9.3	←
4:	9.9	↖
5:	10.3	↗
6:	10.1	↖
7:	9.4	↘
8:	9.6	↘
9:	10.2	←
10:	9.7	↘
<b>Serie</b>		<b>94 ( 1x)</b>
<b>Total</b>		<b>94 ( 1x)</b>



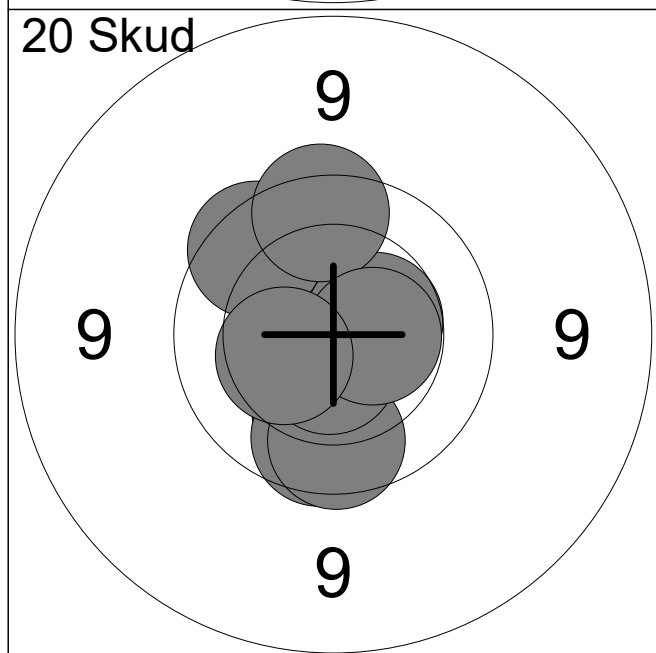
11:	9.9	↑
12:	9.6	→
13:	9.0	↑
14:	10.5x	→
15:	9.7	←
16:	9.8	↘
17:	9.9	←
18:	9.8	↘
19:	10.5x	→
20:	10.6x	↗
<b>Serie</b>		<b>93 ( 3x)</b>
<b>Total</b>		<b>187 ( 4x)</b>

Hold <b>11</b>	Skive <b>6</b>	<b>Michael Christensen</b>		
ØSF		Strø S&G		Å3
18.11.2024		Ølstykke Skydningen 2024		Ølstykke skytteforening
<b>Prøve</b> 		1: 9.6 ← 2: 10.0 ← 3: 10.1 ↗ 4: 9.5 ↘ 5: 10.3 ↘ 6: 9.5 ← 7: 9.9 → 8: 10.1 ←		
		Serie		76 ( 0x)
		Total		0 ( 0x)
<b>20 Skud</b> 		1: 10.8x ↗ 2: 10.0 ↓ 3: 10.0 ↗ 4: 10.3 → 5: 10.5x ↗ 6: 10.3 ↓ 7: 10.9x ← 8: 9.8 ↘ 9: 9.6 ↘ 10: 9.7 ↘		
		Serie		97 ( 3x)
		Total		97 ( 3x)
<b>20 Skud</b> 		11: 10.5 ↗ 12: 10.4 ← 13: 9.7 → 14: 10.0 ↓ 15: 10.2 → 16: 9.9 ↑ 17: 9.8 → 18: 9.5 ↗ 19: 9.5 ↗ 20: 9.8 ↗		
		Serie		94 ( 0x)
		Total		191 ( 3x)

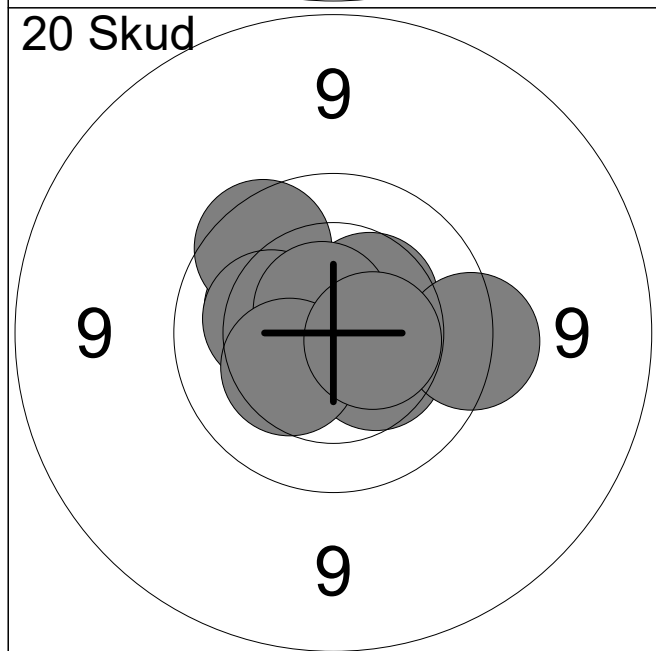
Hold <b>12</b>	Skive <b>1</b>	<b>Frederik Havsholm</b>																																
ØSF		Strø S&G		MBK2																														
18.11.2024		Ølstykke Skydningen 2024		Ølstykke skytteforening																														
<b>Prøve</b>		<table border="0"> <tr><td>1:</td><td>10.3</td><td>←</td></tr> <tr><td>2:</td><td>10.4</td><td>↓</td></tr> <tr><td>3:</td><td>10.6x</td><td>↓</td></tr> <tr><td>4:</td><td>10.6x</td><td>↓</td></tr> <tr><td>5:</td><td>10.3</td><td>↓</td></tr> </table>			1:	10.3	←	2:	10.4	↓	3:	10.6x	↓	4:	10.6x	↓	5:	10.3	↓															
1:	10.3	←																																
2:	10.4	↓																																
3:	10.6x	↓																																
4:	10.6x	↓																																
5:	10.3	↓																																
		Serie		50 ( 2x)																														
		Total		0 ( 0x)																														
<b>20 Skud</b>		<table border="0"> <tr><td>1:</td><td>10.5</td><td>↓</td></tr> <tr><td>2:</td><td>10.1</td><td>→</td></tr> <tr><td>3:</td><td>9.9</td><td>←</td></tr> <tr><td>4:</td><td>10.1</td><td>↓</td></tr> <tr><td>5:</td><td>10.5x</td><td>↓</td></tr> <tr><td>6:</td><td>10.2</td><td>↓</td></tr> <tr><td>7:</td><td>10.0</td><td>↖</td></tr> <tr><td>8:</td><td>10.2</td><td>↖</td></tr> <tr><td>9:</td><td>10.2</td><td>←</td></tr> <tr><td>10:</td><td>9.9</td><td>↖</td></tr> </table>			1:	10.5	↓	2:	10.1	→	3:	9.9	←	4:	10.1	↓	5:	10.5x	↓	6:	10.2	↓	7:	10.0	↖	8:	10.2	↖	9:	10.2	←	10:	9.9	↖
1:	10.5	↓																																
2:	10.1	→																																
3:	9.9	←																																
4:	10.1	↓																																
5:	10.5x	↓																																
6:	10.2	↓																																
7:	10.0	↖																																
8:	10.2	↖																																
9:	10.2	←																																
10:	9.9	↖																																
		Serie		98 ( 1x)																														
		Total		98 ( 1x)																														
<b>20 Skud</b>		<table border="0"> <tr><td>11:</td><td>10.6x</td><td>←</td></tr> <tr><td>12:</td><td>10.2</td><td>←</td></tr> <tr><td>13:</td><td>10.4</td><td>↖</td></tr> <tr><td>14:</td><td>10.3</td><td>←</td></tr> <tr><td>15:</td><td>10.4</td><td>↓</td></tr> <tr><td>16:</td><td>9.7</td><td>↓</td></tr> <tr><td>17:</td><td>9.9</td><td>↑</td></tr> <tr><td>18:</td><td>9.7</td><td>↘</td></tr> <tr><td>19:</td><td>10.8x</td><td>↗</td></tr> <tr><td>20:</td><td>10.4</td><td>↓</td></tr> </table>			11:	10.6x	←	12:	10.2	←	13:	10.4	↖	14:	10.3	←	15:	10.4	↓	16:	9.7	↓	17:	9.9	↑	18:	9.7	↘	19:	10.8x	↗	20:	10.4	↓
11:	10.6x	←																																
12:	10.2	←																																
13:	10.4	↖																																
14:	10.3	←																																
15:	10.4	↓																																
16:	9.7	↓																																
17:	9.9	↑																																
18:	9.7	↘																																
19:	10.8x	↗																																
20:	10.4	↓																																
		Serie		97 ( 2x)																														
		Total		195 ( 3x)																														



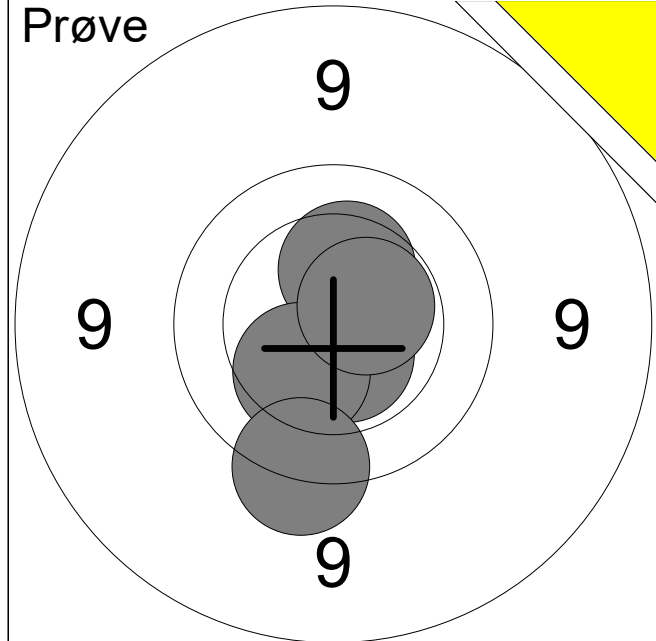
1:	10.1	↓
2:	10.6x	↓
3:	9.9	→
4:	9.6	↓
5:	9.3	→
<b>Serie</b>		<b>47 ( 1x)</b>
<b>Total</b>		<b>0 ( 0x)</b>



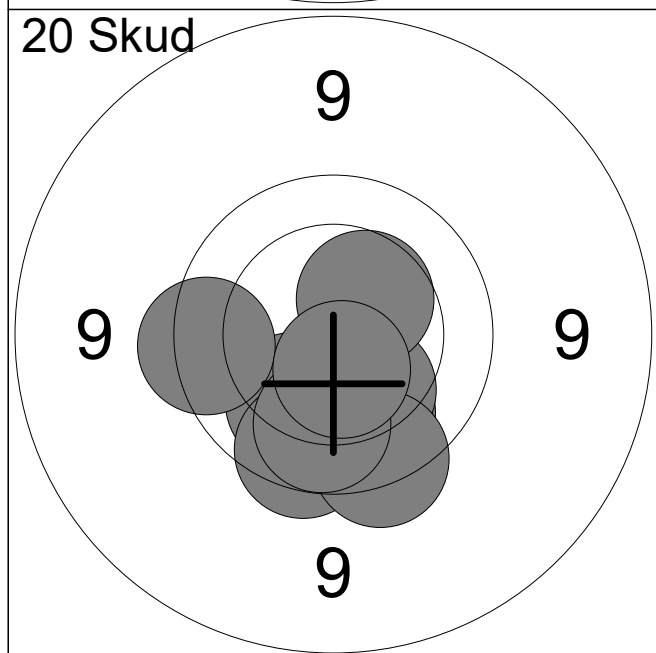
1:	10.6x	↗
2:	10.1	↓
3:	9.8	↗
4:	10.5	→
5:	9.9	↓
6:	9.7	↑
7:	9.9	↓
8:	10.6x	↓
9:	10.5x	→
10:	10.4	↙
<b>Serie</b>		<b>96 ( 3x)</b>
<b>Total</b>		<b>96 ( 3x)</b>



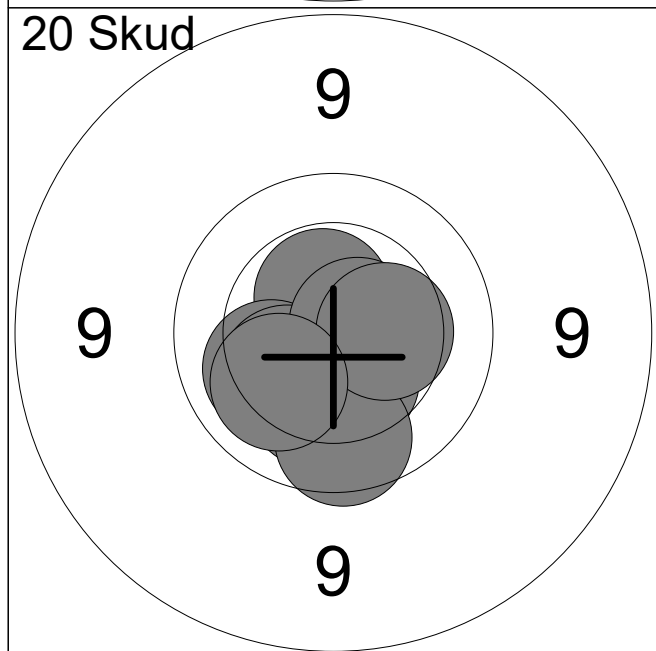
11:	10.2	↖
12:	10.7x	↗
13:	10.4	↗
14:	9.8	↗
15:	10.3	↖
16:	10.7x	↗
17:	10.4	↘
18:	10.3	↖
19:	9.7	→
20:	10.5x	→
<b>Serie</b>		<b>98 ( 3x)</b>
<b>Total</b>		<b>194 ( 6x)</b>



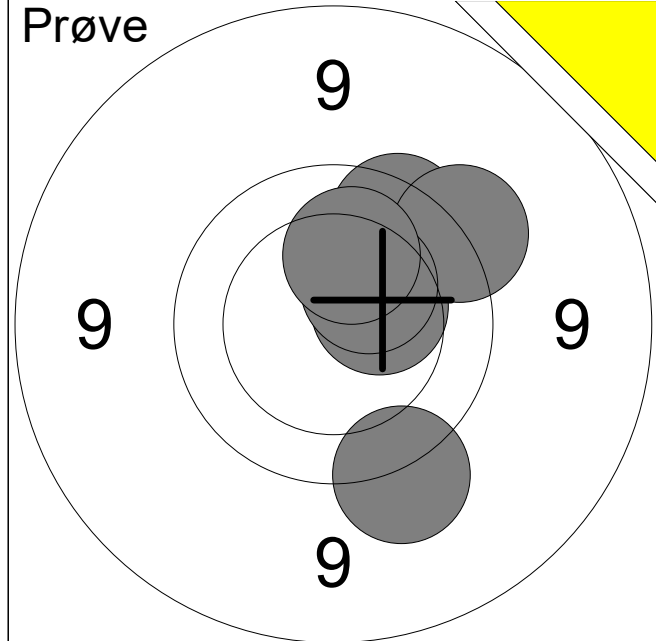
1:	10.3	↑
2:	10.6x	↓
3:	10.3	↙
4:	10.5x	→
5:	9.6	↓
<b>Serie</b>		<b>49 ( 2x)</b>
<b>Total</b>		<b>0 ( 0x)</b>



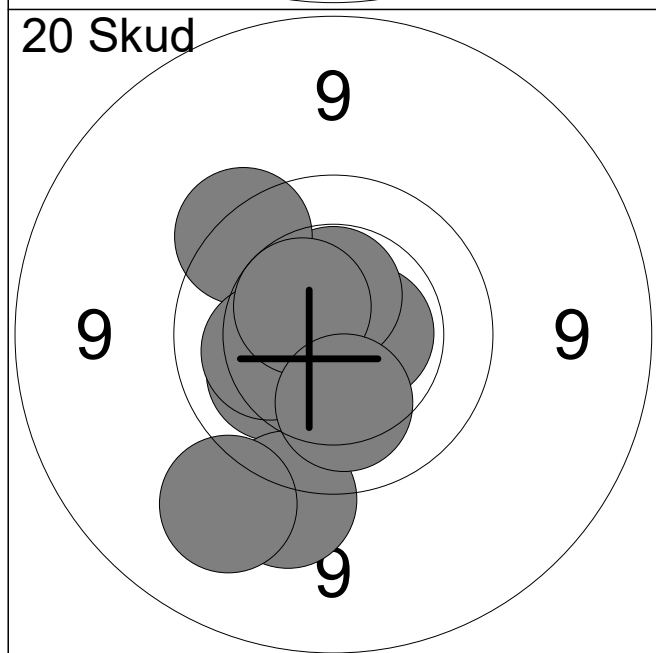
1:	10.0	↓
2:	10.1	↙
3:	9.7	←
4:	10.0	↓
5:	9.8	↓
6:	10.2	↙
7:	10.4	↗
8:	9.7	↓
9:	10.0	↓
10:	10.6x	↓
<b>Serie</b>		<b>97 ( 1x)</b>
<b>Total</b>		<b>97 ( 1x)</b>



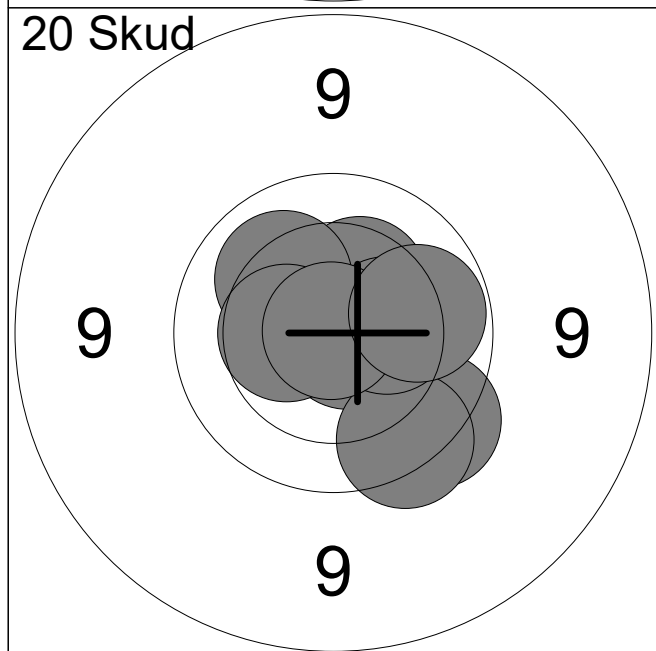
11:	10.2	↓
12:	10.5x	↑
13:	10.2	↙
14:	10.3	↙
15:	10.4	↓
16:	10.7x	→
17:	10.3	↓
18:	9.9	↓
19:	10.4	→
20:	10.1	↙
<b>Serie</b>		<b>99 ( 2x)</b>
<b>Total</b>		<b>196 ( 3x)</b>



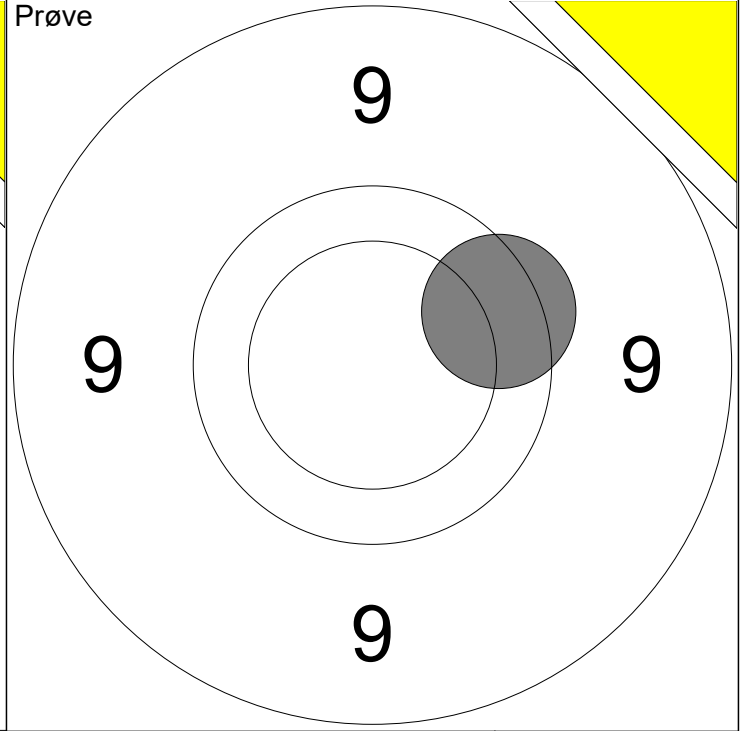
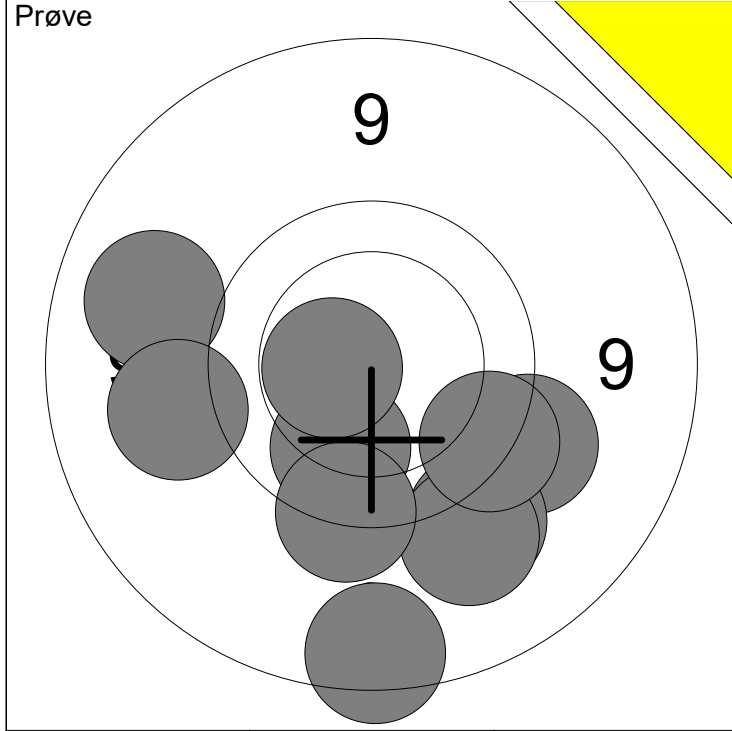
1:	9.5	↓
2:	9.8	↑
3:	10.4	→
4:	9.5	↗
5:	10.4	↗
6:	10.2	↑
<b>Serie</b>		<b>57 ( 0x)</b>
<b>Total</b>		<b>0 ( 0x)</b>



1:	10.2	↙
2:	10.6x	→
3:	10.6x	↖
4:	10.5x	↑
5:	9.7	↗
6:	10.2	↙
7:	9.4	↓
8:	10.5x	↗
9:	10.2	↓
10:	9.3	↘
<b>Serie</b>		<b>97 ( 4x)</b>
<b>Total</b>		<b>97 ( 4x)</b>

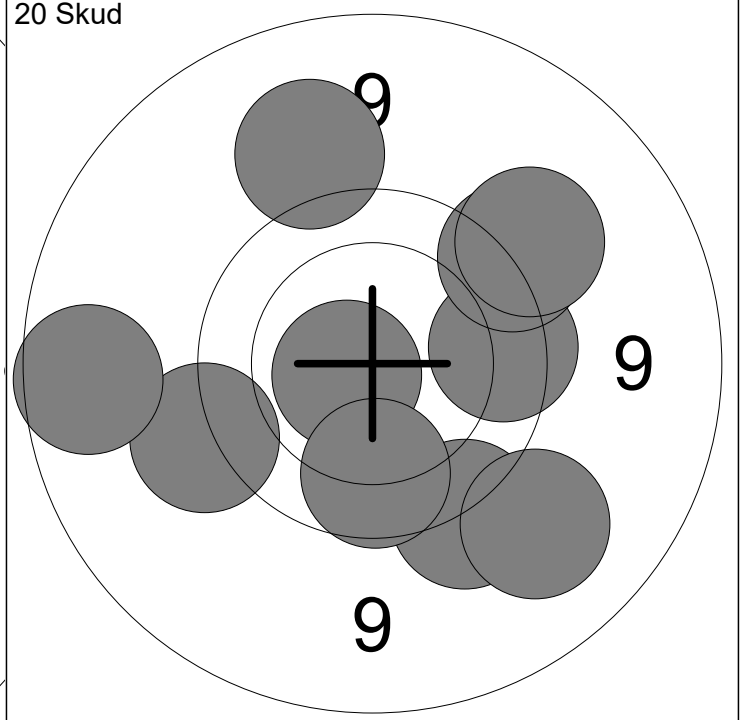
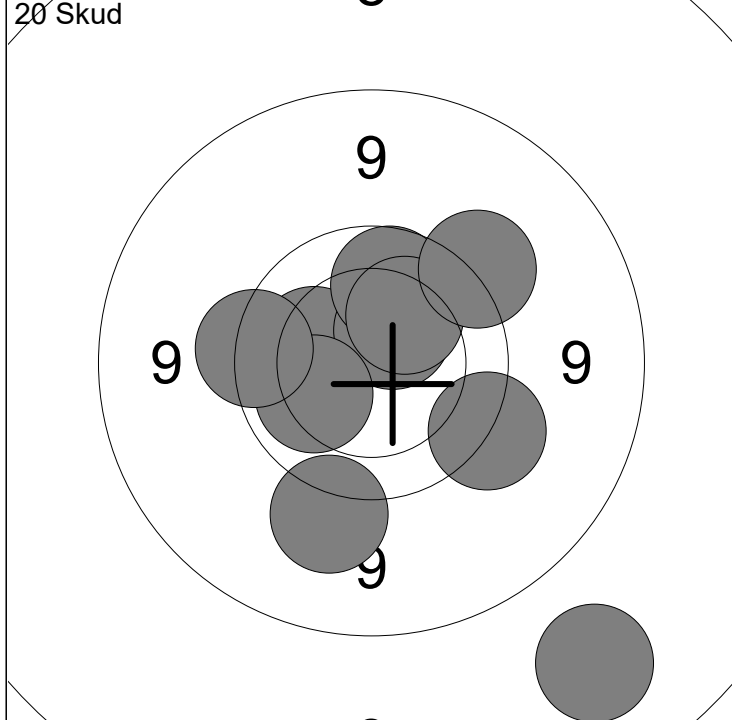


11:	10.3	↗
12:	10.1	↗
13:	10.3	→
14:	9.7	↘
15:	10.8x	↘
16:	9.7	↘
17:	10.4	↙
18:	10.4	→
19:	10.9x	↗
20:	10.0	→
<b>Serie</b>		<b>98 ( 2x)</b>
<b>Total</b>		<b>195 ( 6x)</b>



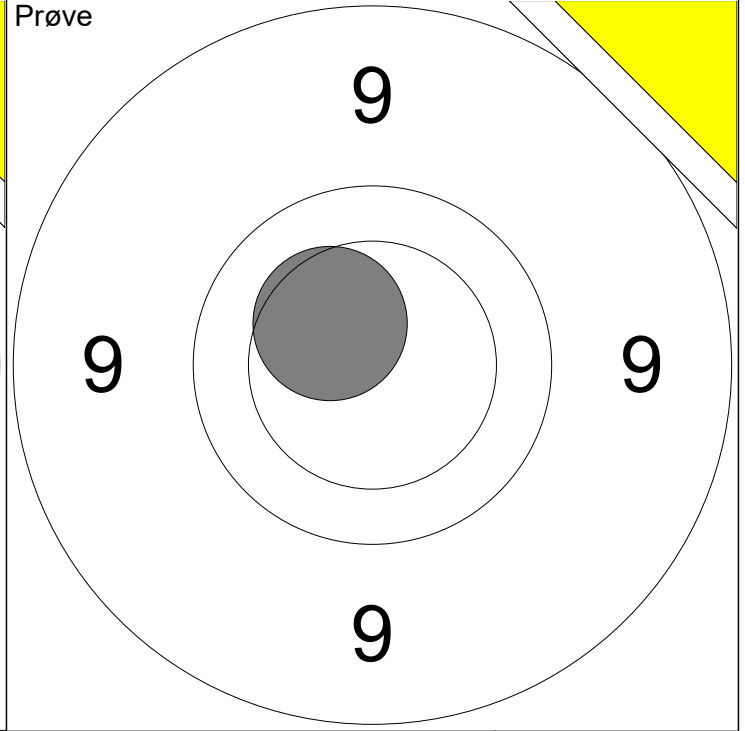
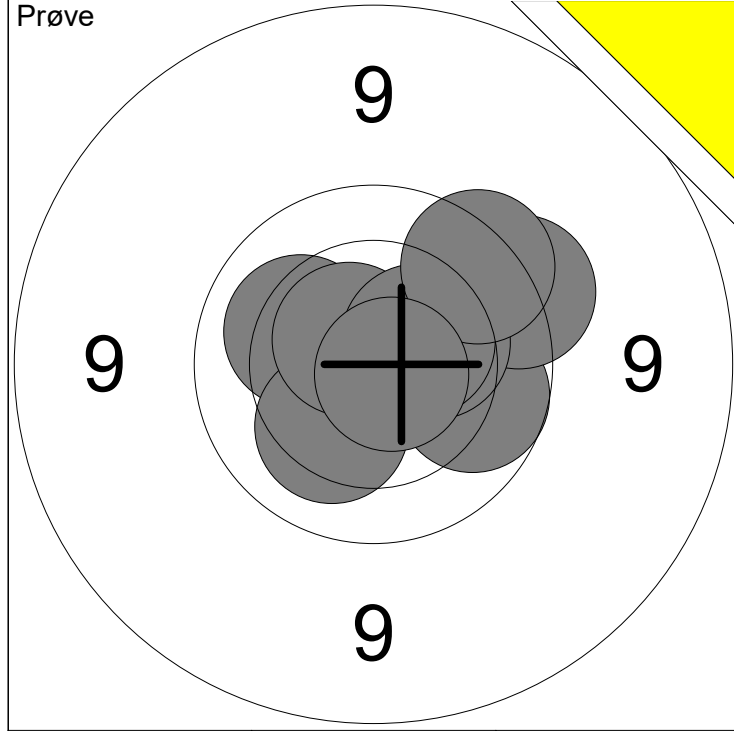
1: 9.1 ↖	6: 10.5x ←	Serie 91 (1x)
2: 9.4 ↘	7: 8.8 ↓	
3: 9.4 ↘	8: 9.6 ↓	Total 0 (0x)
4: 9.3 ↘	9: 9.3 ←	
5: 10.0 ↘	10: 9.7 ↘	

11: 9.8 →	Serie 9 (0x)
	Total 0 (0x)



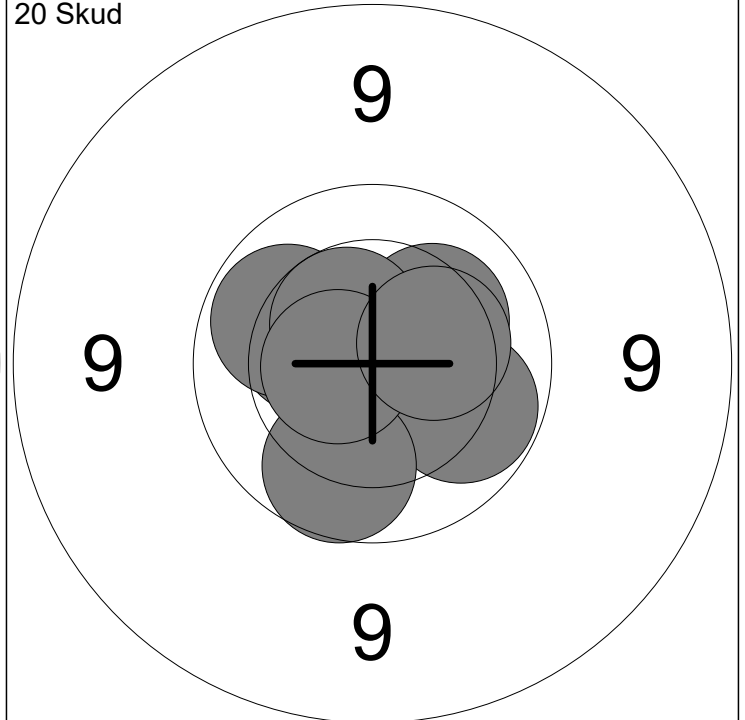
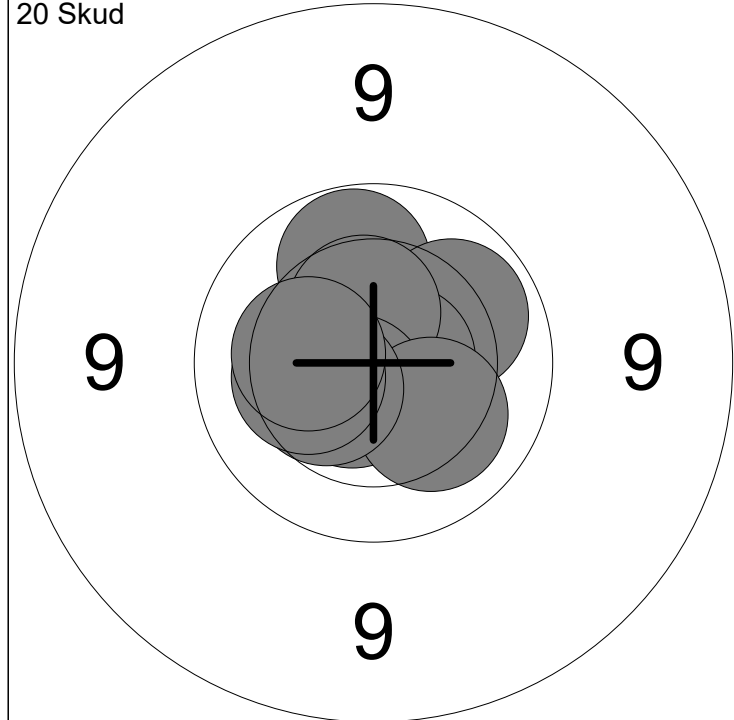
1: 9.5 ↘	6: 9.4 ↓	Serie 93 (0x)
2: 10.2 ↖	7: 10.2 ↗	
3: 10.5 ↗	8: 8.2 ↓	Total 93 (0x)
4: 10.1 ↖	9: 9.7 ←	
5: 9.9 ↗	10: 9.5 ↗	

11: 9.5 ↓	16: 9.8 →	Serie 90 (1x)
12: 9.5 ←	17: 8.9 ←	
13: 9.2 ↓	18: 9.3 ↗	Total 183 (1x)
14: 10.7x ←	19: 9.5 ↗	
15: 9.9 ↓	20: 9.4 ↗	



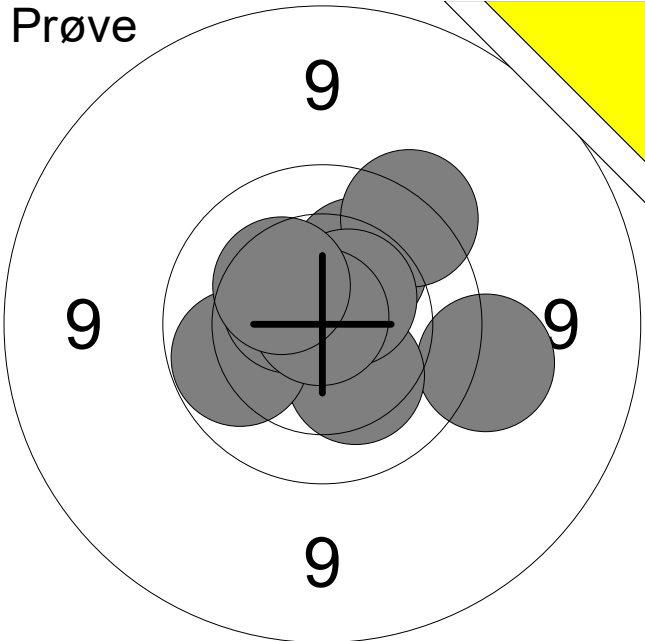
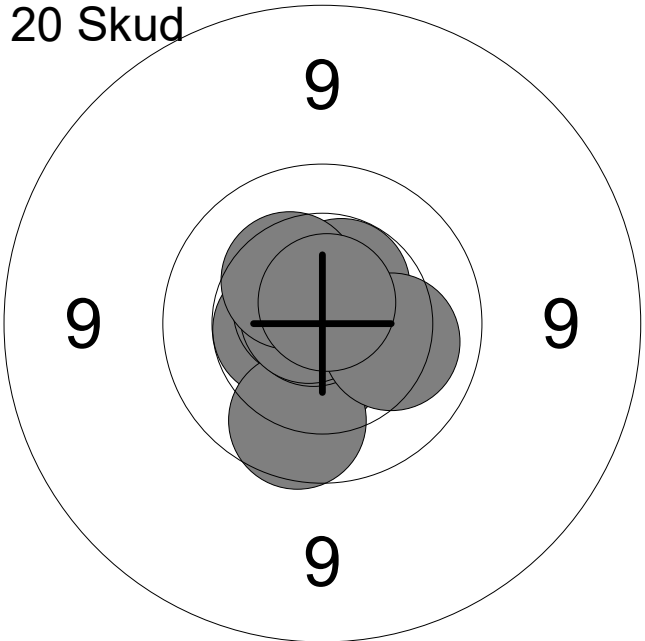
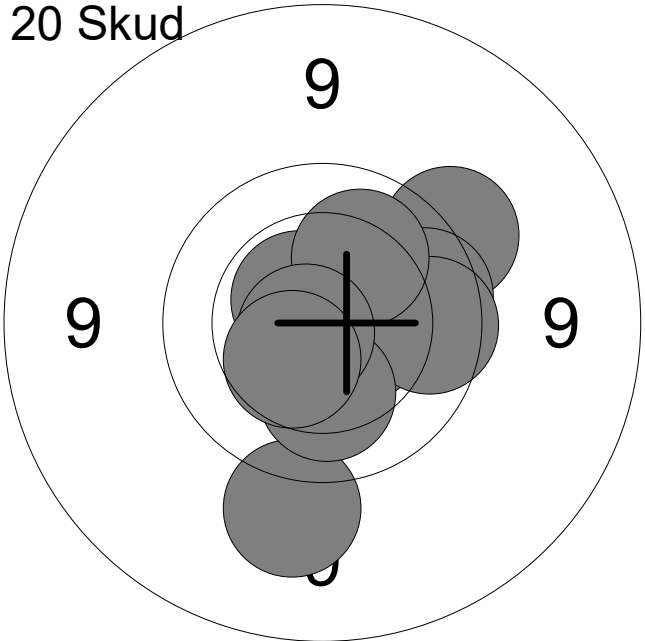
1: 10.2 ↖	6: 10.3 →	Serie	97 ( 3x)
2: 10.9x ↙	7: 10.6x ↖		
3: 9.9 →	8: 10.5 →	Total	0 ( 0x)
4: 10.2 ↙	9: 9.7 ↗		
5: 9.6 →	10: 10.8x ↘		

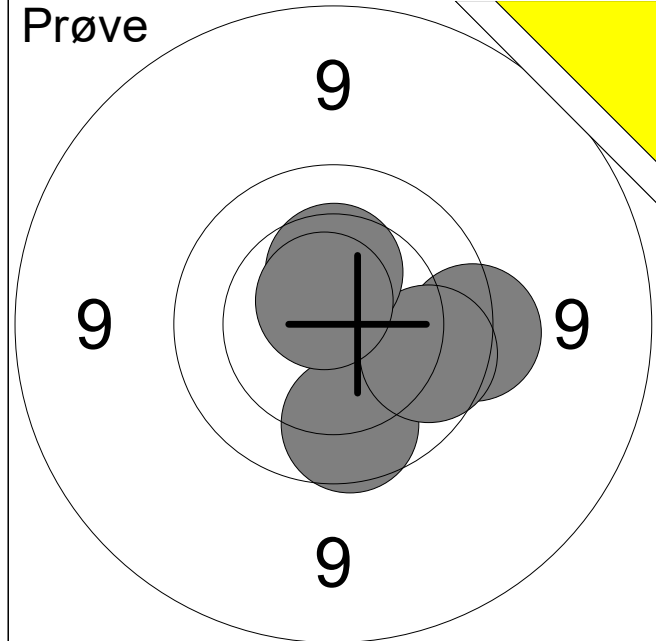
11: 10.4 ↖	Serie	10 ( 0x)
	Total	0 ( 0x)



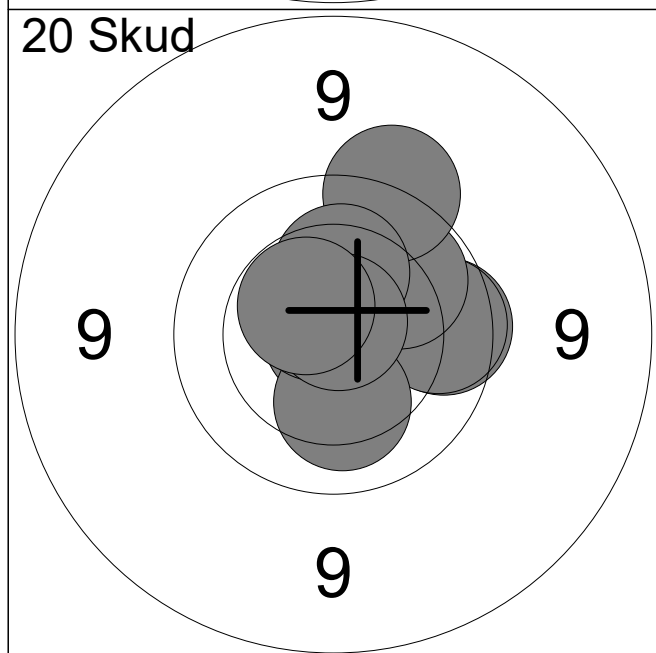
1: 10.0 ↑	6: 10.6x ↙	Serie	100 ( 3x)
2: 10.1 ↗	7: 10.2 ↘		
3: 10.8x ↑	8: 10.4 ←	Total	100 ( 3x)
4: 10.7x →	9: 10.3 ←		
5: 10.4 ↑	10: 10.3 ←		

11: 10.2 ↗	16: 10.5x ↖	Serie	99 ( 3x)
12: 10.3 ↖	17: 10.0 →		
13: 10.9x ↘	18: 9.9 ↙	Total	199 ( 6x)
14: 10.0 ↖	19: 10.6x ←		
15: 10.4 →	20: 10.3 →		

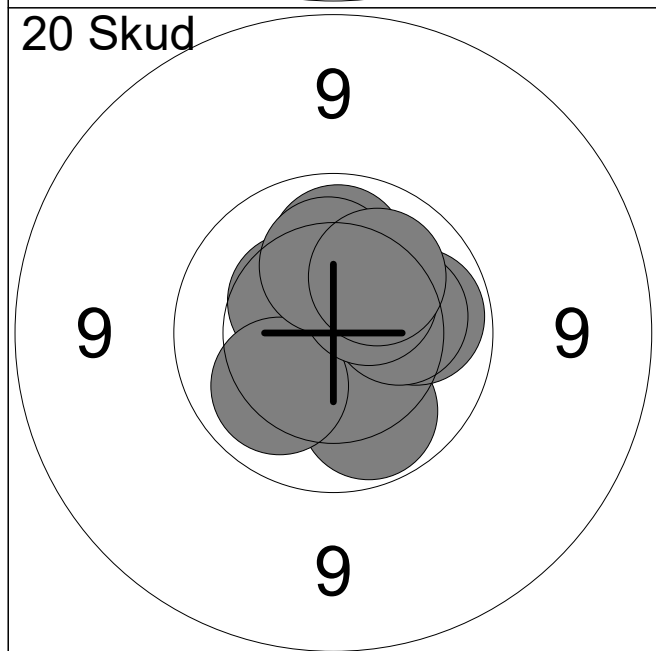
Hold <b>12</b>	Skive <b>7</b>	<b>Finn Jensen</b>		
ØSF		Melby Skytteforening	MSE2	
18.11.2024		Ølstykke Skydningen 2024	Ølstykke skytteforening	
<b>Prøve</b> 		1: 9.5		→
		2: 10.7x		↓
<b>20 Skud</b> 		3: 10.2		↗
		4: 9.7		↗
<b>20 Skud</b> 		5: 10.3		↓
		6: 10.5x		↗
		7: 10.0		←
		8: 10.5x		↗
		9: 10.9x		↑
		10: 10.3		↖
		<b>Serie</b>	<b>98 ( 4x)</b>	
		<b>Total</b>	<b>0 ( 0x)</b>	
		1: 10.5x		↓
		2: 10.5x		←
		3: 10.7x		↗
		4: 9.9		↓
		5: 10.8x		↗
		6: 10.8x		↗
		7: 10.5x		↗
		8: 10.2		→
		9: 10.4		↗
		10: 10.7x		↑
		<b>Serie</b>	<b>99 ( 7x)</b>	
		<b>Total</b>	<b>99 ( 7x)</b>	
		11: 10.6x		↖
		12: 9.3		↓
		13: 10.6x		→
		14: 9.5		↗
		15: 9.9		→
		16: 9.8		→
		17: 10.1		↗
		18: 10.2		↓
		19: 10.7x		←
		20: 10.4		↘
		<b>Serie</b>	<b>96 ( 3x)</b>	
		<b>Total</b>	<b>195 (10x)</b>	



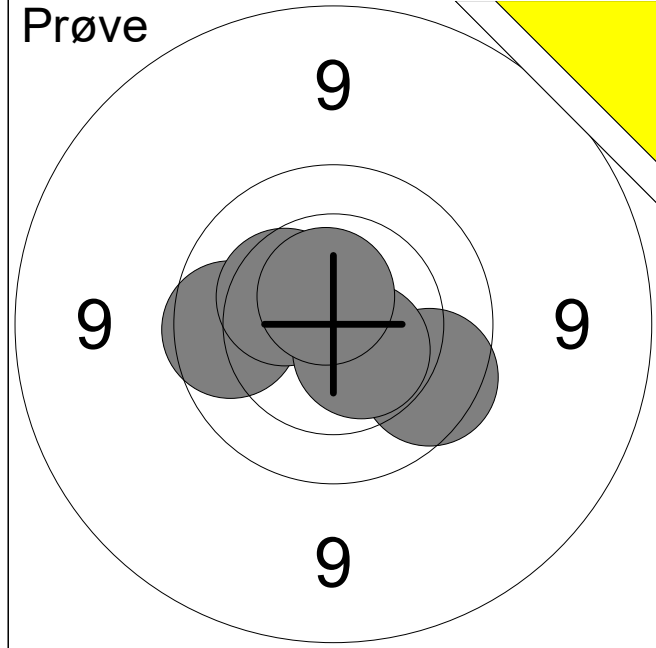
1:	9.6	→
2:	9.9	↓
3:	9.9	→
4:	10.4	↑
5:	10.7x	↗
<b>Serie</b>		<b>47 ( 1x)</b>
<b>Total</b>		<b>0 ( 0x)</b>



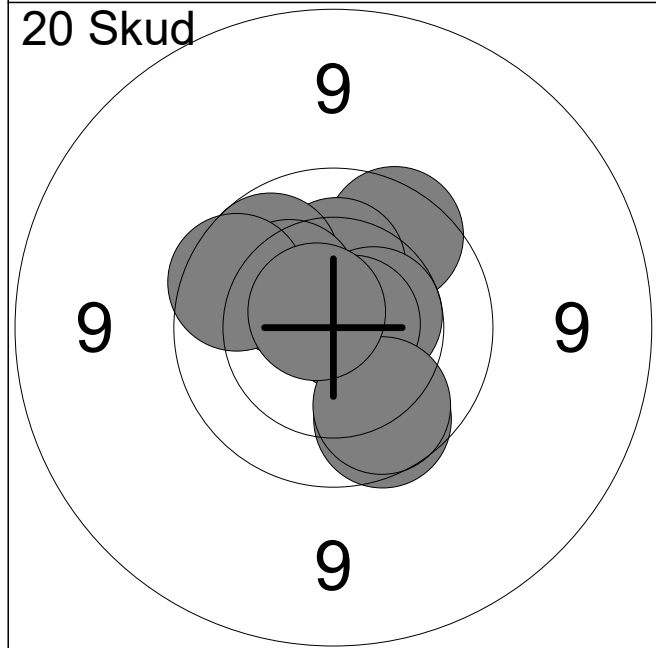
1:	9.8	→
2:	9.9	→
3:	10.9x	←
4:	10.2	↓
5:	10.0	↗
6:	10.7x	↗
7:	9.6	↗
8:	10.3	↑
9:	10.8x	↗
10:	10.5x	↖
<b>Serie</b>		<b>97 ( 4x)</b>
<b>Total</b>		<b>97 ( 4x)</b>



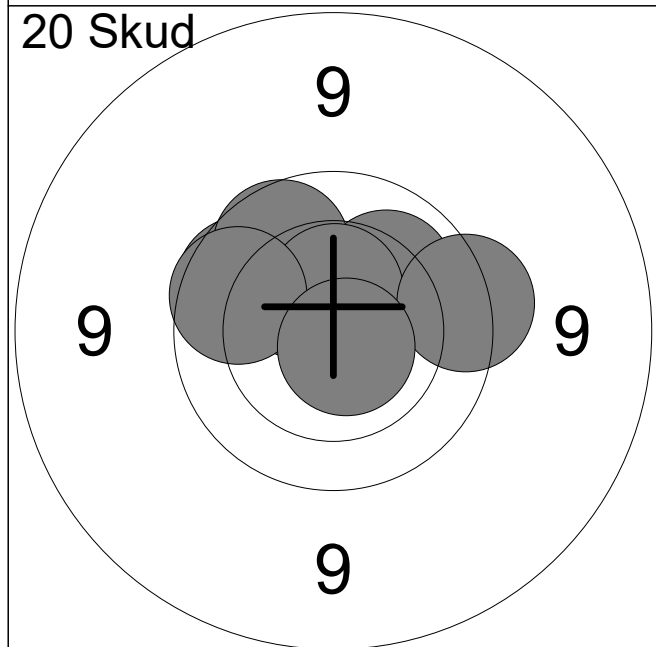
11:	10.1	↑
12:	10.5	→
13:	10.0	↓
14:	10.4	↖
15:	10.1	↖
16:	10.0	→
17:	10.2	→
18:	10.4	↗
19:	10.2	↑
20:	10.2	↗
<b>Serie</b>		<b>100 ( 0x)</b>
<b>Total</b>		<b>197 ( 4x)</b>



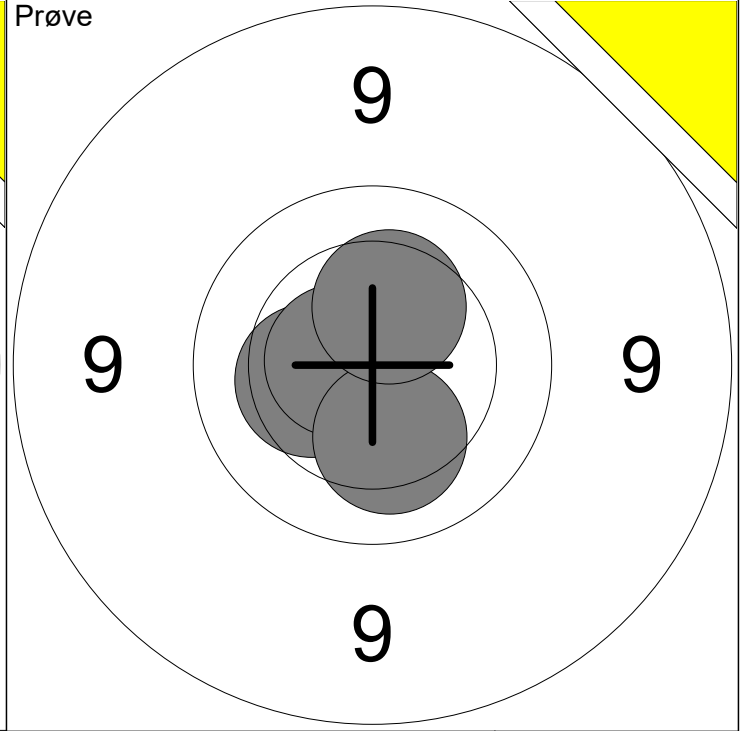
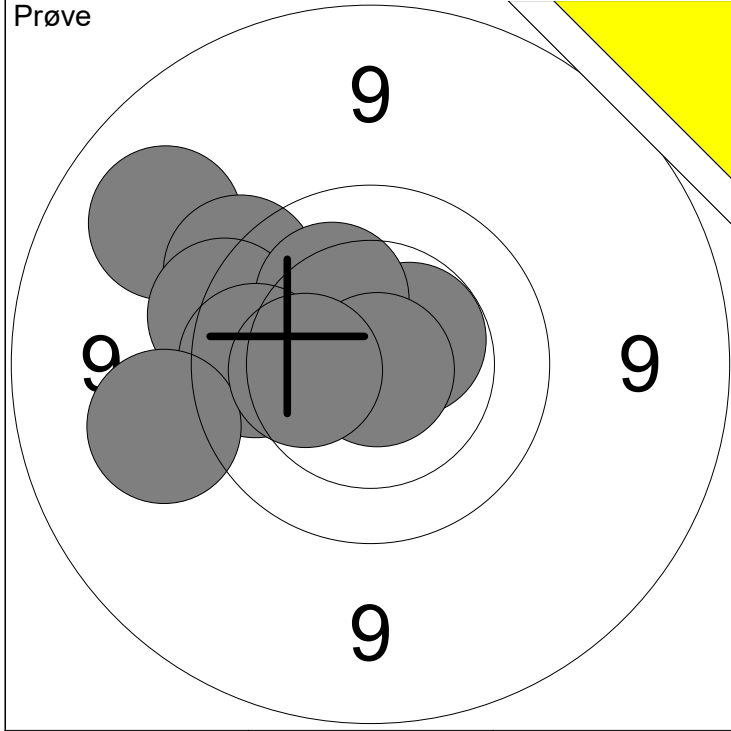
1:	9.8	↘
2:	9.9	←
3:	10.3	↗
4:	10.5x	↘
5:	10.6x	↑
<b>Serie</b>		<b>48 ( 2x)</b>
<b>Total</b>		<b>0 ( 0x)</b>



1:	9.8	↗
2:	10.3	↑
3:	9.9	↗
4:	10.3	↗
5:	10.5	→
6:	9.9	↘
7:	10.7x	→
8:	9.9	↘
9:	9.8	↗
10:	10.7x	↗
<b>Serie</b>		<b>95 ( 2x)</b>
<b>Total</b>		<b>95 ( 2x)</b>

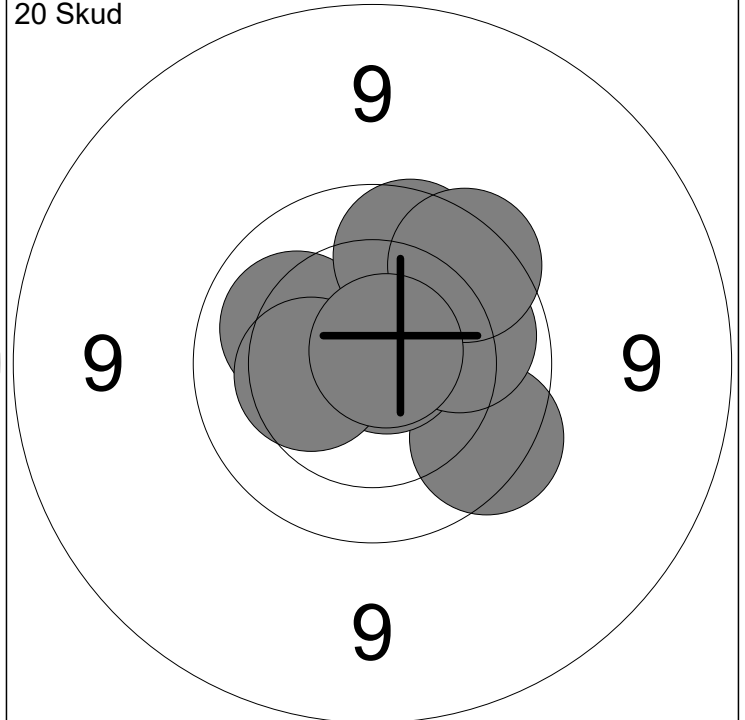
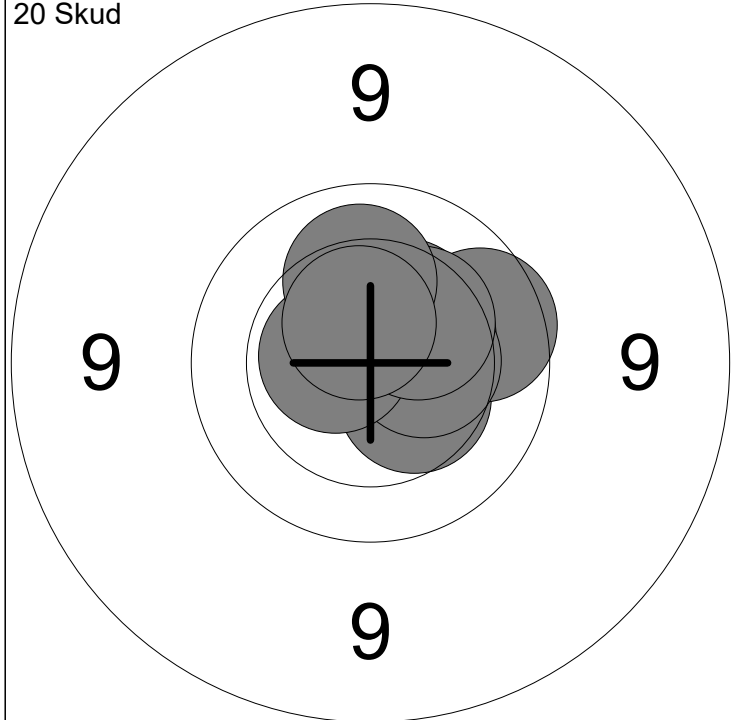


11:	10.5x	↗
12:	10.6x	↗
13:	9.9	↖
14:	10.1	↗
15:	10.4	↗
16:	9.9	↗
17:	10.5x	↑
18:	9.7	→
19:	9.9	↖
20:	10.7x	↘
<b>Serie</b>		<b>96 ( 4x)</b>
<b>Total</b>		<b>191 ( 6x)</b>



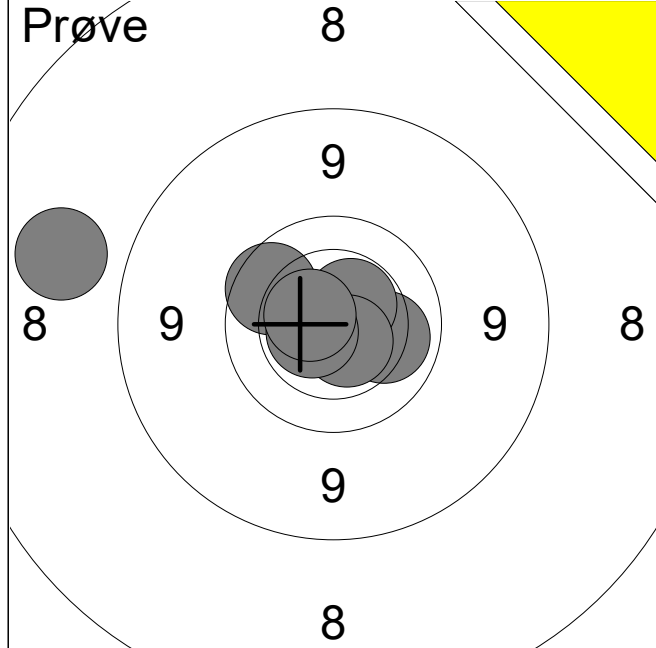
1: 9.1 ↗	6: 10.2 ↗	Serie	95 (2x)
2: 9.6 ↗	7: 9.9 ←		
3: 10.0 ←	8: 10.9x ↘	Total	0 (0x)
4: 9.7 ↗	9: 9.3 ←		
5: 10.5x ↗	10: 10.3 ←		

11: 10.3 ←	Serie	40 (1x)
12: 10.6x ←		
13: 10.2 ↓	Total	0 (0x)
14: 10.4 ↗		

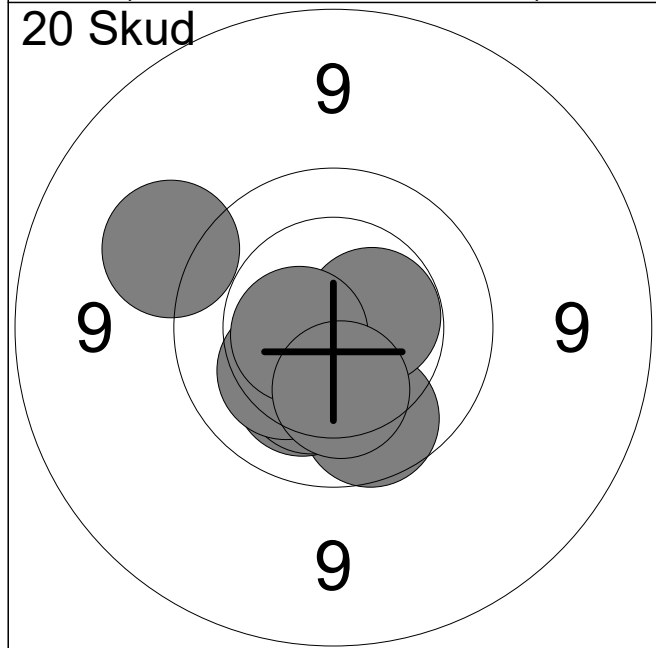


1: 10.4 ↘	6: 10.6x ←	Serie	99 (3x)
2: 10.8x ↗	7: 10.4 ↗		
3: 9.9 →	8: 10.3 ↗	Total	99 (3x)
4: 10.4 ↗	9: 10.1 ↑		
5: 10.4 →	10: 10.5x ↗		

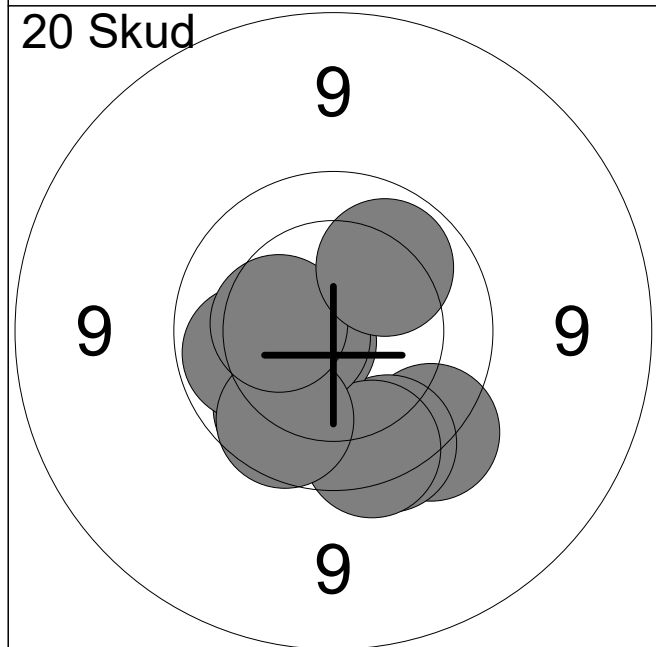
11: 10.2 ↗	16: 10.3 ←	Serie	97 (2x)
12: 10.1 ←	17: 9.9 ↗		
13: 10.3 ↗	18: 10.1 →	Total	196 (5x)
14: 9.8 ↘	19: 9.8 ↗		
15: 10.8x ↗	20: 10.8x ↗		



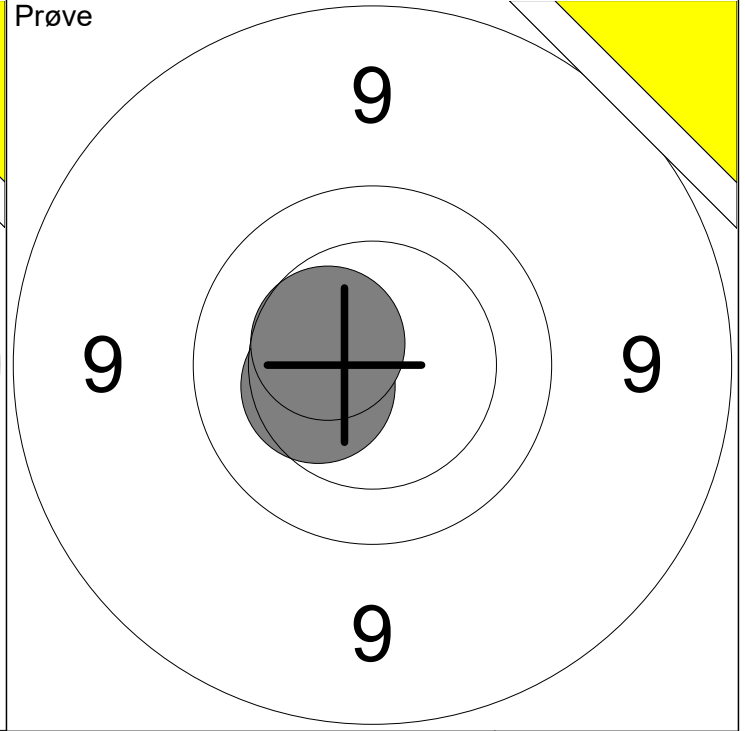
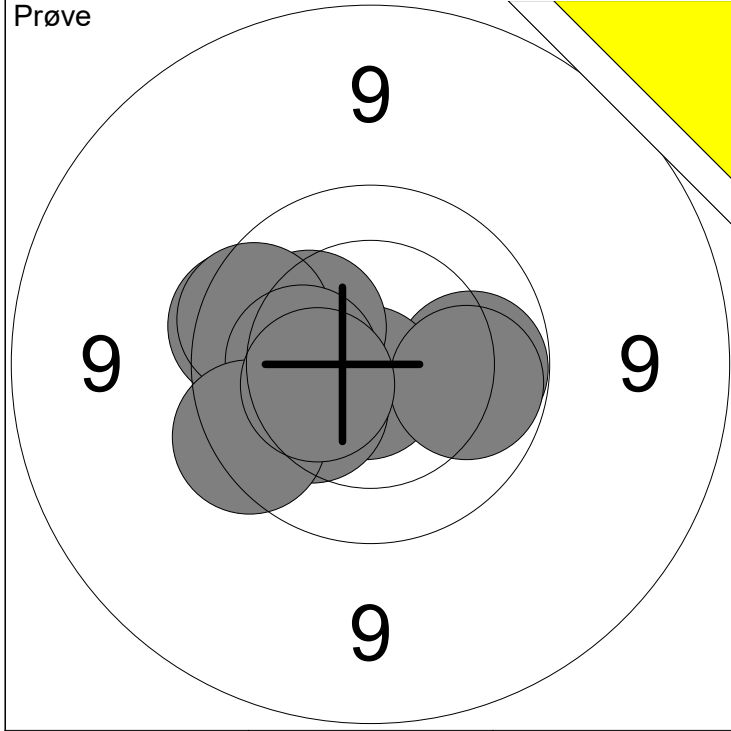
1:	8.3	←
2:	10.1	→
3:	10.5x	↗
4:	9.9	↖
5:	10.6x	↘
6:	10.6x	←
7:	10.5x	←
<b>Serie</b>		<b>67 ( 4x)</b>
<b>Total</b>		<b>0 ( 0x)</b>



1:	10.5x	↓
2:	9.9	↓
3:	10.2	↓
4:	9.4	↖
5:	10.2	↓
6:	10.5x	→
7:	10.3	↓
8:	10.2	↖
9:	10.6x	←
10:	10.3	↓
<b>Serie</b>		<b>98 ( 3x)</b>
<b>Total</b>		<b>98 ( 3x)</b>

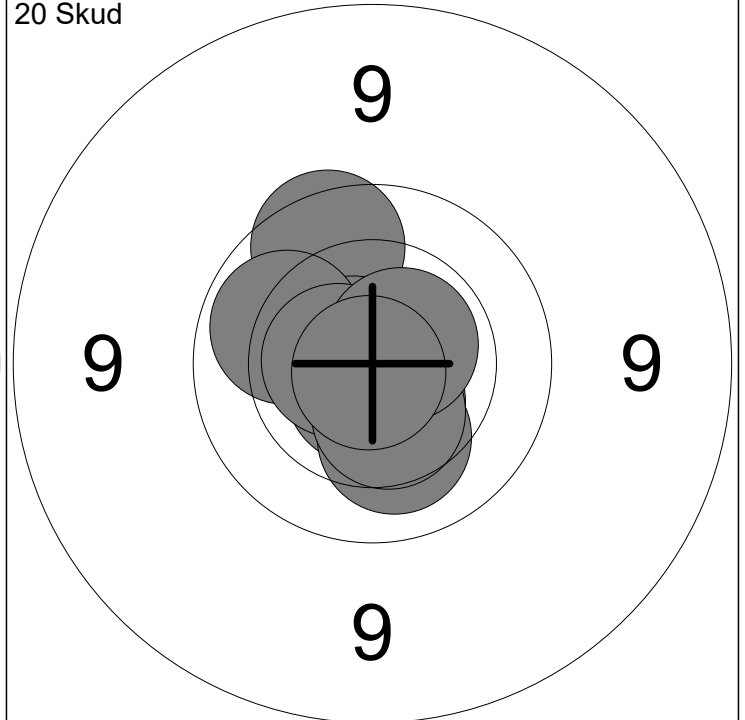
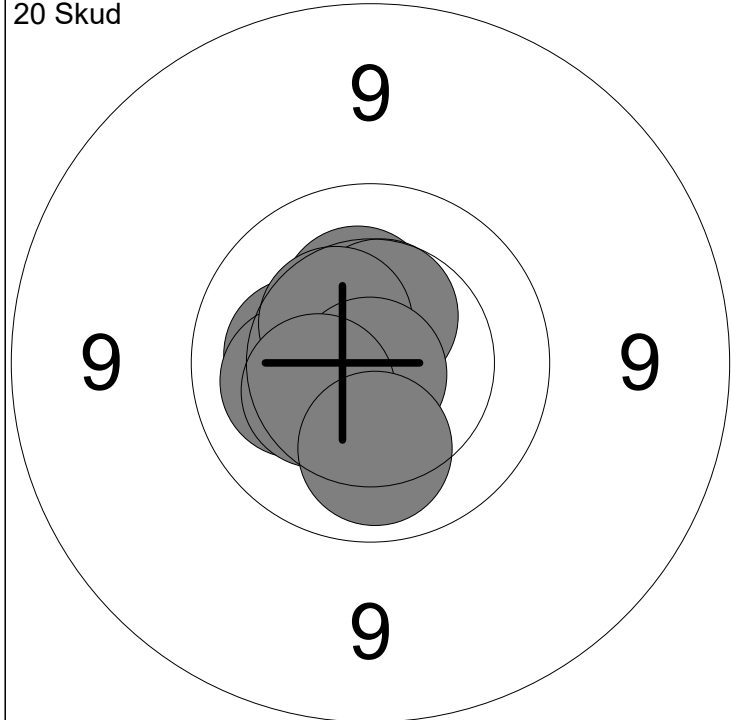


11:	9.6	↘
12:	9.9	↘
13:	9.7	↓
14:	10.6x	←
15:	9.7	↓
16:	10.0	←
17:	10.6x	←
18:	9.9	↘
19:	10.3	←
20:	10.0	↗
<b>Serie</b>		<b>95 ( 2x)</b>
<b>Total</b>		<b>193 ( 5x)</b>



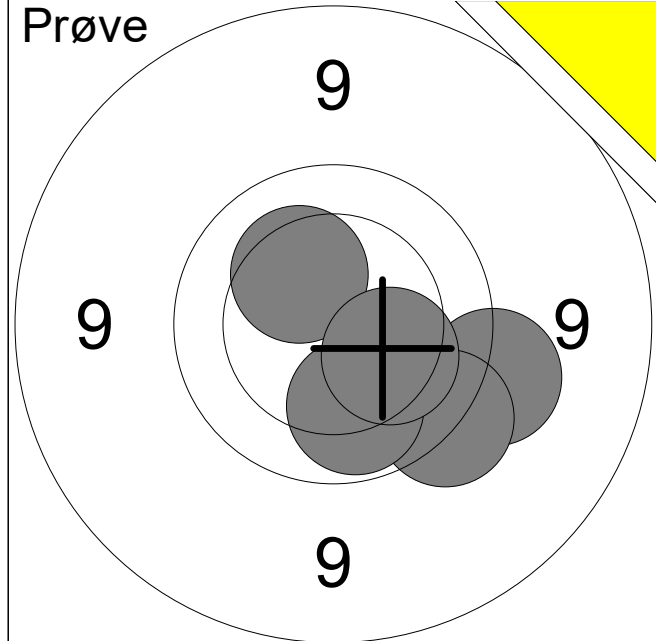
1: 10.0 →	6: 10.2 ←	Serie 97 ( 1x)
2: 10.8x ↓	7: 9.8 ←	
3: 10.3 ↗	8: 10.3 ←	Total 0 ( 0x)
4: 9.8 ↖	9: 9.7 ←	
5: 10.0 →	10: 10.4 ←	

11: 10.4 ←	Serie 20 ( 0x)
12: 10.5 ←	
Total 0 ( 0x)	

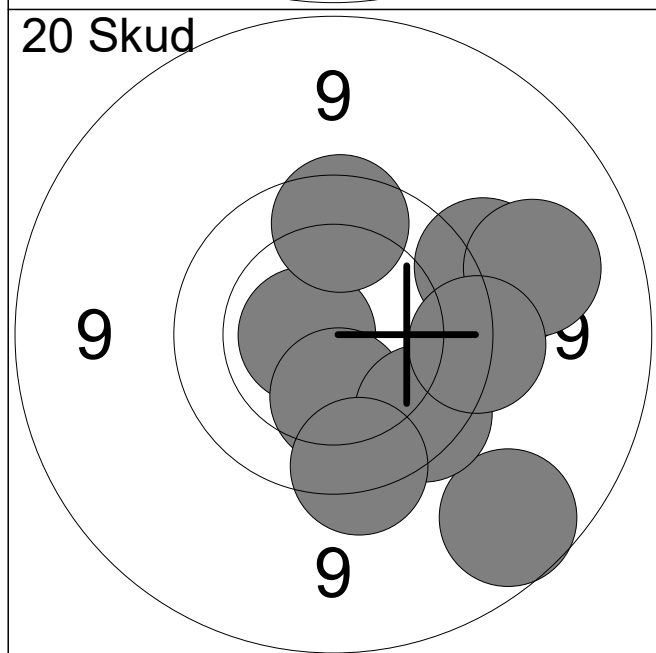


1: 10.4 ↑	6: 10.6x ←	Serie 100 ( 3x)
2: 10.3 ←	7: 10.4 ↗	
3: 10.2 ←	8: 10.8x ↓	Total 100 ( 3x)
4: 10.6x ↙	9: 10.4 ←	
5: 10.5 ↑	10: 10.1 ↓	

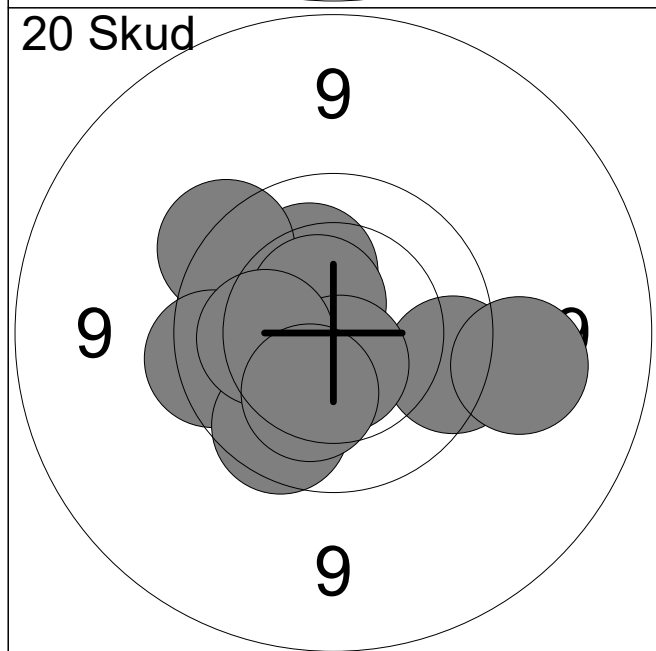
11: 9.8 ↑	16: 10.6x ↓	Serie 99 ( 6x)
12: 10.7x ↖	17: 10.6x ←	
13: 10.0 ←	18: 10.4 ↓	Total 199 ( 9x)
14: 10.7x ↙	19: 10.6x ↗	
15: 10.2 ↓	20: 10.9x ↓	



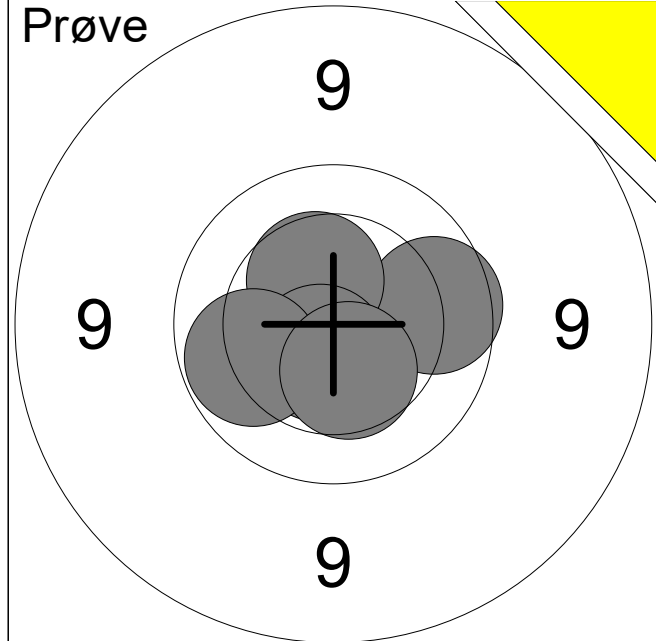
1:	10.3	↗
2:	9.5	→
3:	9.6	↘
4:	10.0	↘
5:	10.2	↘
<b>Serie</b>		<b>48 ( 0x)</b>
<b>Total</b>		<b>0 ( 0x)</b>



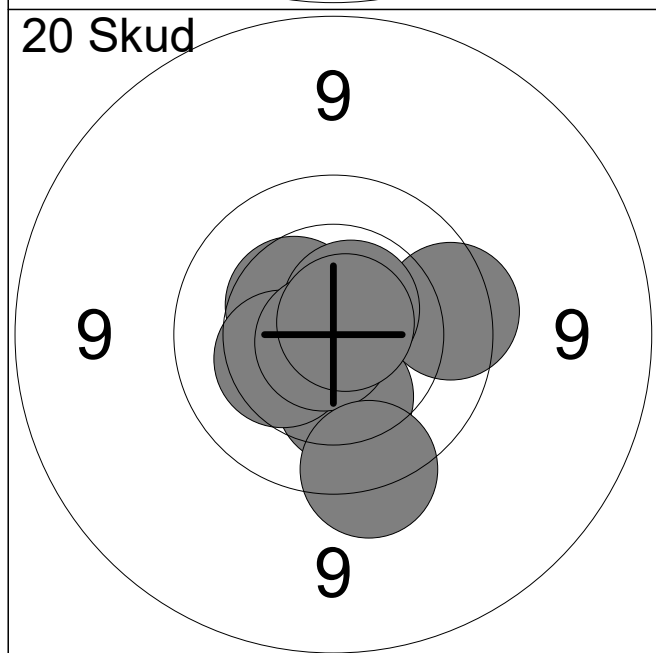
1:	8.9	↘
2:	9.4	→
3:	10.7x	←
4:	9.5	→
5:	10.3	↘
6:	9.2	→
7:	9.8	↘
8:	9.7	↘
9:	9.8	↑
10:	9.6	→
<b>Serie</b>		<b>91 ( 1x)</b>
<b>Total</b>		<b>91 ( 1x)</b>



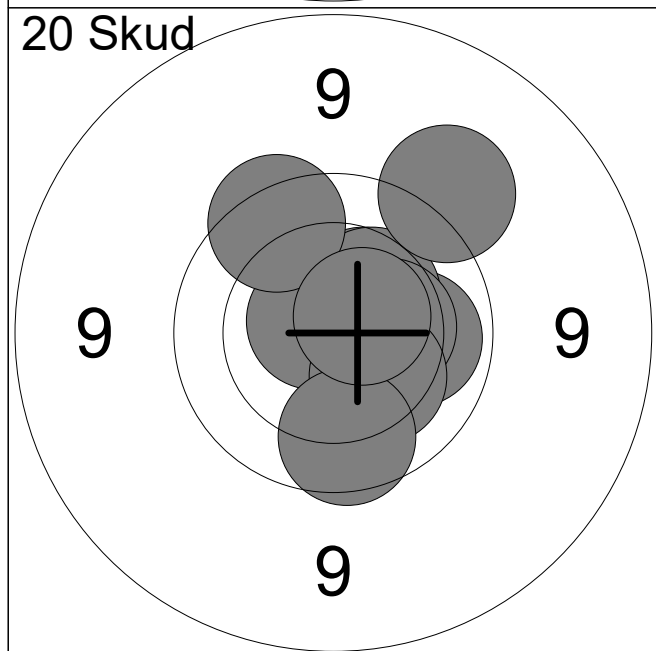
11:	10.2	↗
12:	9.7	→
13:	9.7	↗
14:	9.7	←
15:	10.6x	↗
16:	9.8	↘
17:	10.6x	↘
18:	10.2	←
19:	10.2	↘
20:	9.3	→
<b>Serie</b>		<b>95 ( 2x)</b>
<b>Total</b>		<b>186 ( 3x)</b>



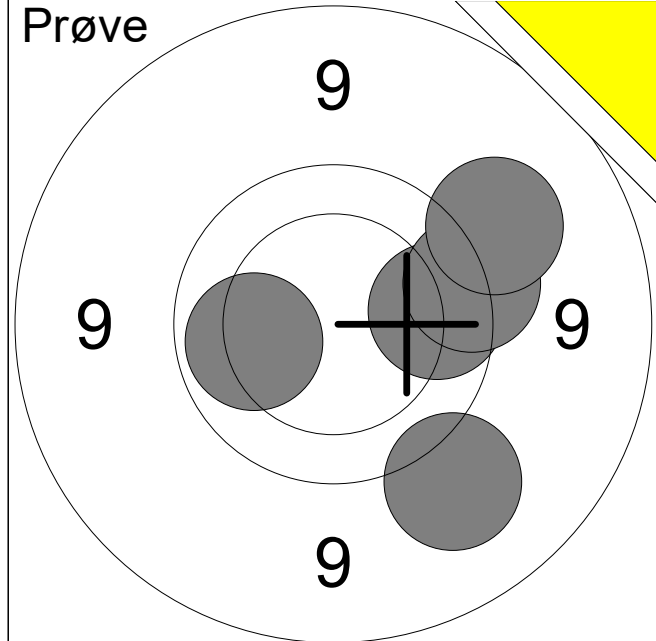
1:	9.9	→
2:	10.4	↑
3:	10.6x	↓
4:	10.0	←
5:	10.4	↓
<b>Serie</b>		<b>49 ( 1x)</b>
<b>Total</b>		<b>0 ( 0x)</b>



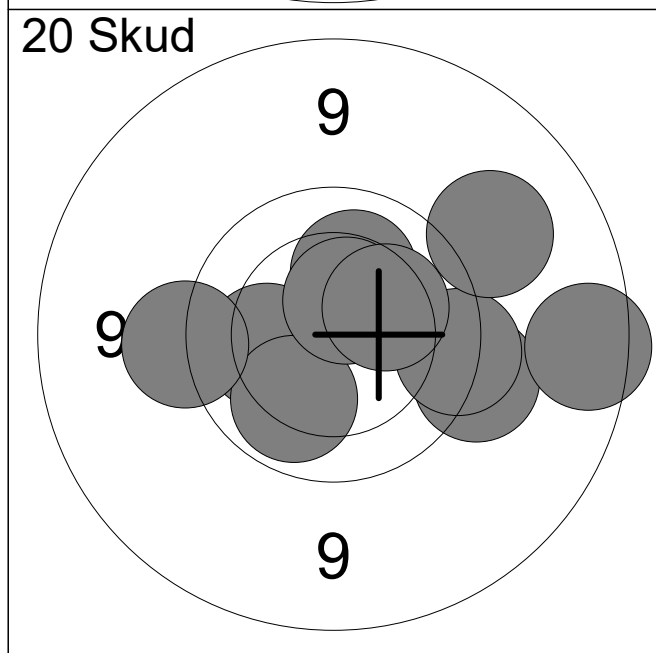
1:	10.7x	↖
2:	10.3	↓
3:	10.9x	←
4:	9.8	→
5:	10.4	↗
6:	10.3	←
7:	10.6x	↗
8:	10.8x	←
9:	10.8x	↗
10:	9.6	↓
<b>Serie</b>		<b>98 ( 5x)</b>
<b>Total</b>		<b>98 ( 5x)</b>



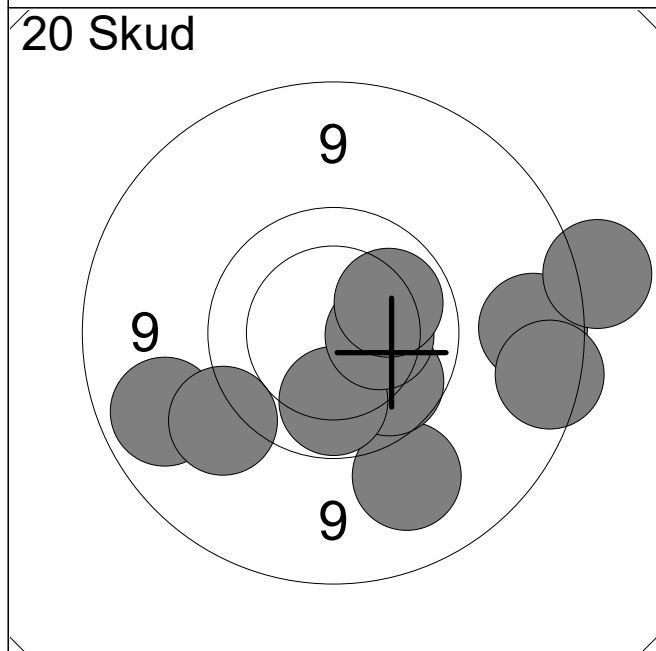
11:	10.1	→
12:	10.4	↗
13:	10.4	↗
14:	9.4	↗
15:	10.7x	↖
16:	10.3	→
17:	10.3	↓
18:	9.9	↓
19:	9.7	↗
20:	10.6x	↗
<b>Serie</b>		<b>97 ( 2x)</b>
<b>Total</b>		<b>195 ( 7x)</b>



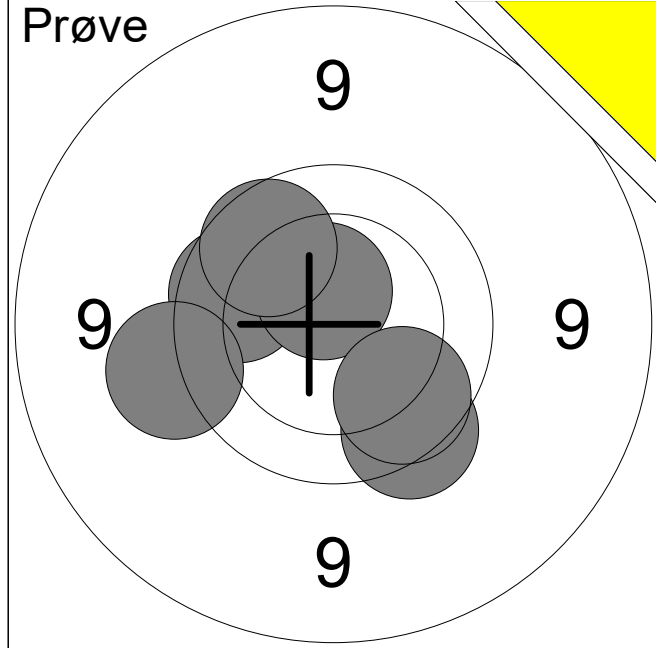
1:	10.1	←
2:	9.9	→
3:	9.3	↘
4:	9.6	→
5:	9.3	↗
<b>Serie</b>		<b>46 ( 0x)</b>
<b>Total</b>		<b>0 ( 0x)</b>



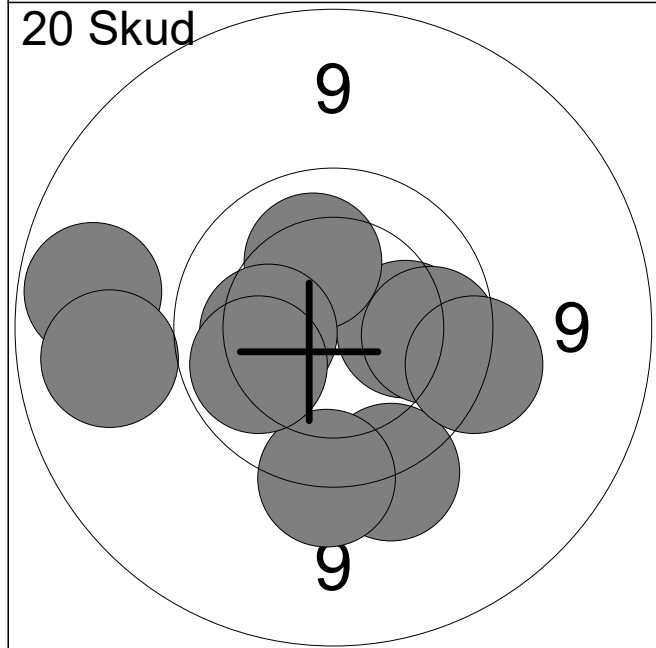
1:	10.1	←
2:	9.5	→
3:	10.1	↘
4:	10.2	↑
5:	10.5x	↑
6:	9.7	→
7:	9.3	↗
8:	9.5	←
9:	10.3	↗
10:	8.8	→
<b>Serie</b>		<b>94 ( 1x)</b>
<b>Total</b>		<b>94 ( 1x)</b>



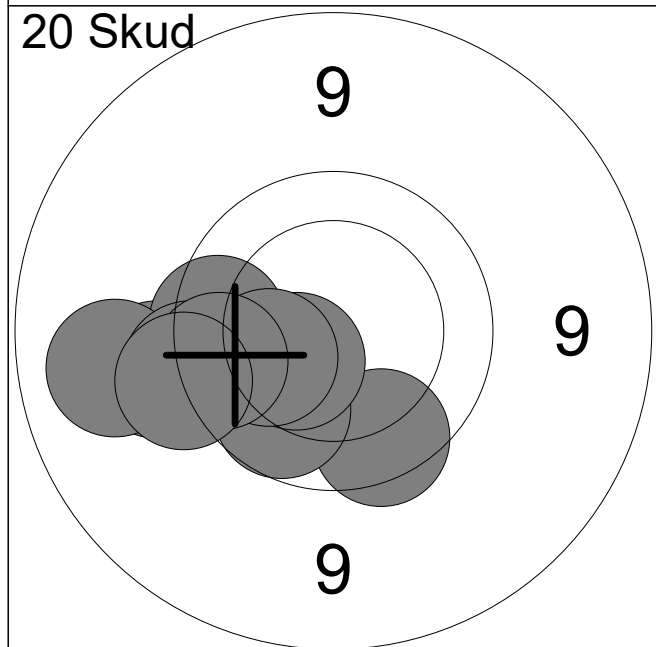
11:	9.0	←
12:	9.4	↙
13:	8.9	→
14:	9.2	↘
15:	8.8	→
16:	9.9	↘
17:	10.0	↓
18:	10.3	→
19:	10.1	↗
20:	8.6	→
<b>Serie</b>		<b>90 ( 0x)</b>
<b>Total</b>		<b>184 ( 1x)</b>



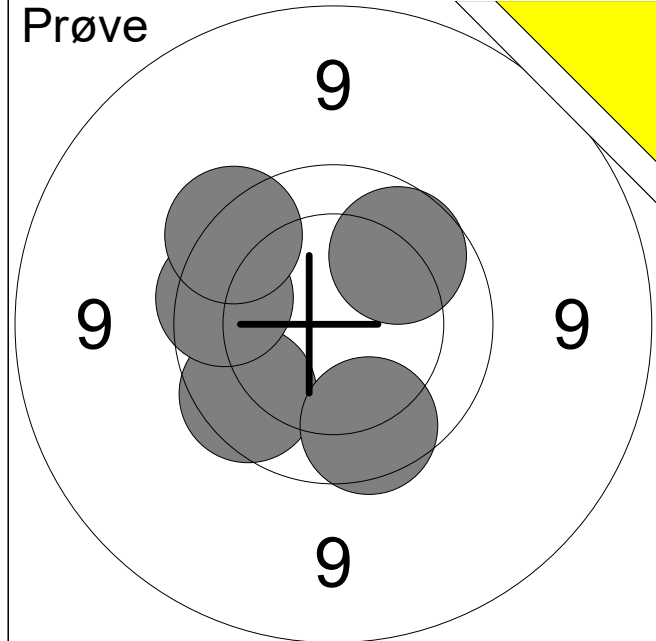
1:	9.9	←
2:	9.7	↓
3:	10.6x	↑
4:	9.9	↗
5:	9.9	↓
6:	9.5	←
<b>Serie</b>		<b>55 ( 1x)</b>
<b>Total</b>		<b>0 ( 0x)</b>



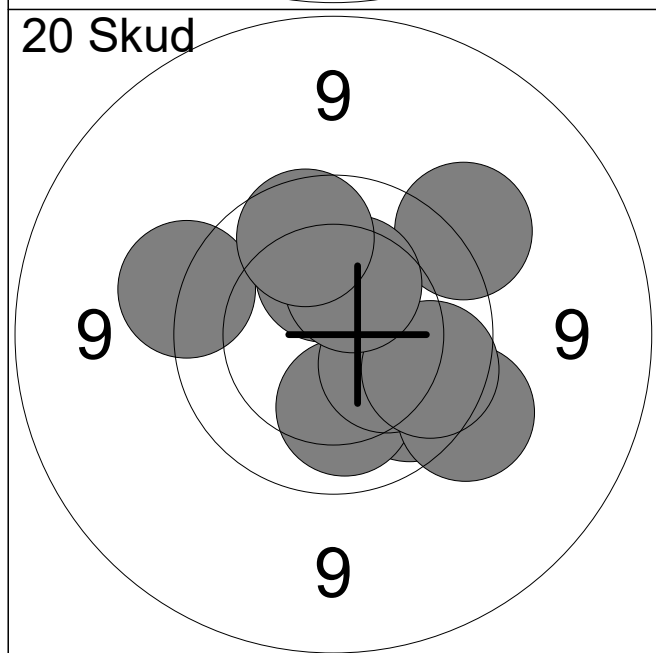
1:	10.2	→
2:	10.2	↑
3:	10.2	←
4:	9.0	←
5:	9.1	←
6:	9.9	→
7:	9.5	↓
8:	9.6	↓
9:	9.6	→
10:	10.0	←
<b>Serie</b>		<b>94 ( 0x)</b>
<b>Total</b>		<b>94 ( 0x)</b>



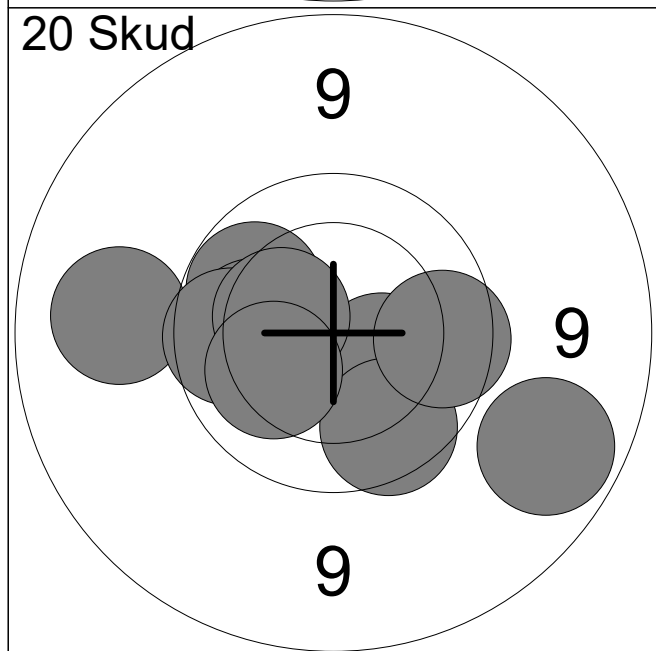
11:	9.8	↓
12:	9.9	↓
13:	9.4	←
14:	9.8	←
15:	9.1	←
16:	9.6	←
17:	10.4	↘
18:	10.2	←
19:	9.8	←
20:	9.5	←
<b>Serie</b>		<b>92 ( 0x)</b>
<b>Total</b>		<b>186 ( 0x)</b>



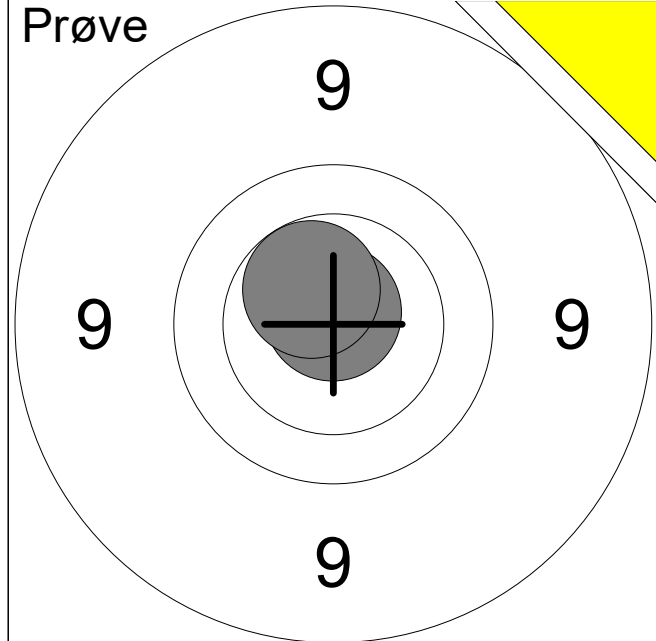
1:	9.9	↗
2:	9.8	↘
3:	9.8	←
4:	9.8	↘
5:	9.7	↗
<b>Serie</b>		<b>45 ( 0x)</b>
<b>Total</b>		<b>0 ( 0x)</b>



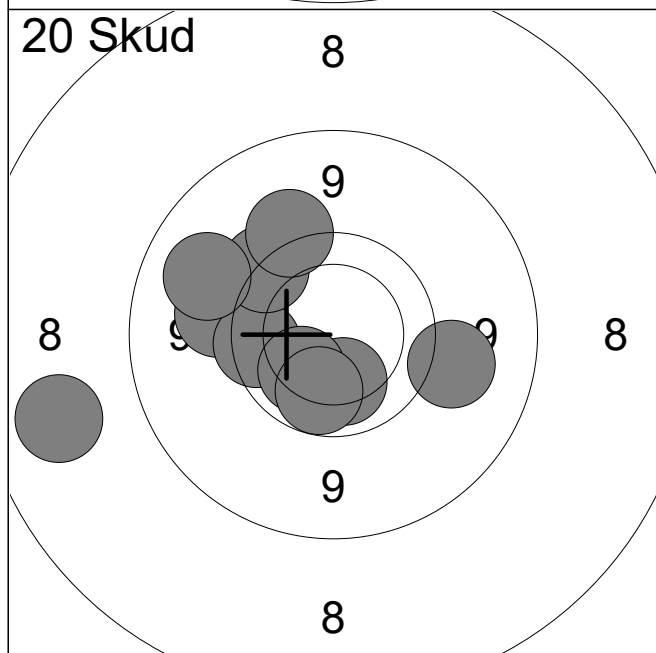
1:	9.5	↗
2:	9.9	↘
3:	10.1	↘
4:	10.3	↘
5:	9.6	←
6:	9.6	↘
7:	10.3	↑
8:	9.9	↘
9:	10.3	↑
10:	9.9	↑
<b>Serie</b>		<b>94 ( 0x)</b>
<b>Total</b>		<b>94 ( 0x)</b>



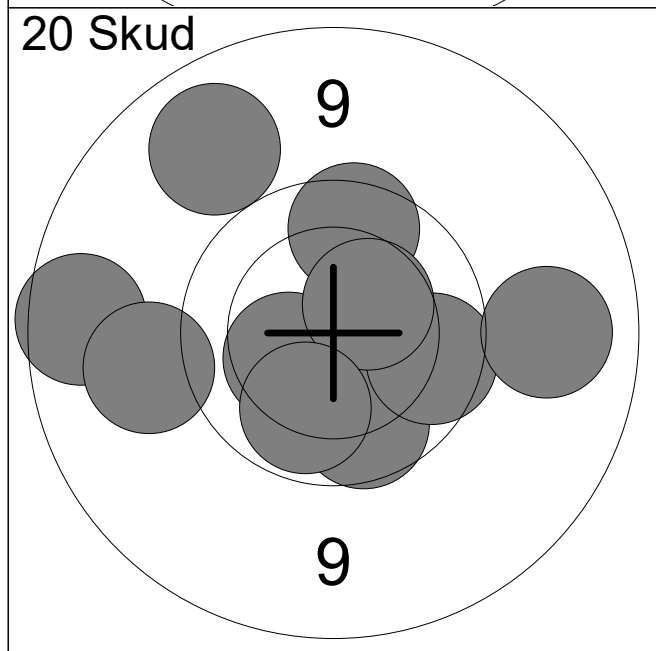
11:	10.0	↖
12:	10.1	←
13:	9.2	←
14:	10.3	↘
15:	9.9	←
16:	10.3	←
17:	9.8	↘
18:	9.8	→
19:	10.2	↖
20:	9.0	↘
<b>Serie</b>		<b>95 ( 0x)</b>
<b>Total</b>		<b>189 ( 0x)</b>



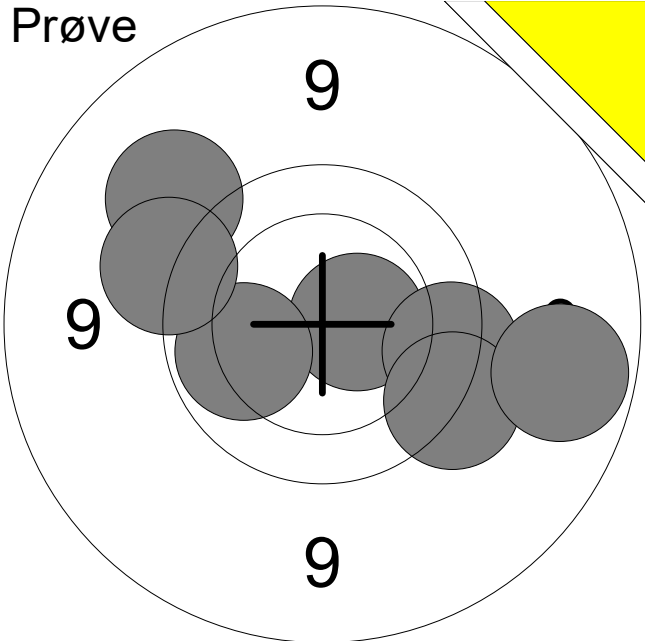
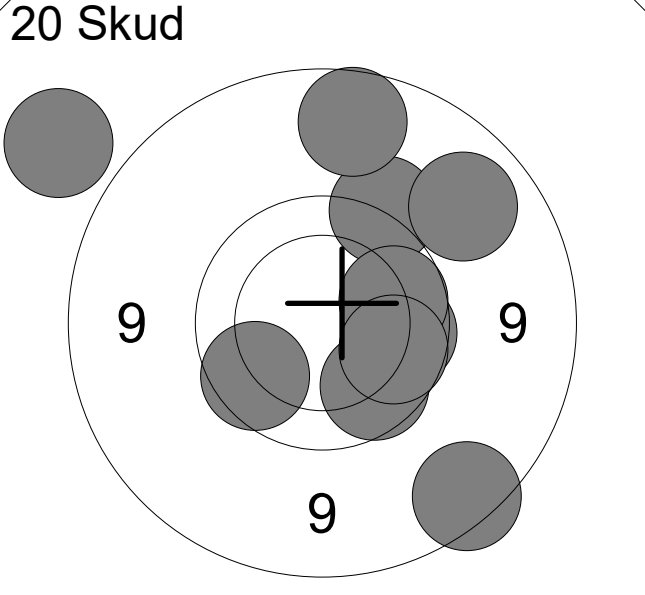
1:	10.8x	↑
2:	10.5x	↖
<b>Serie</b>		<b>20 ( 2x)</b>
<b>Total</b>		<b>0 ( 0x)</b>

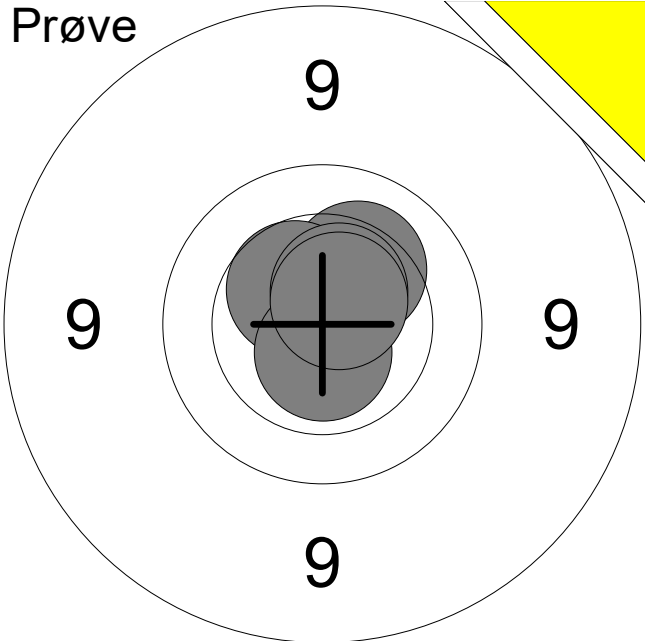
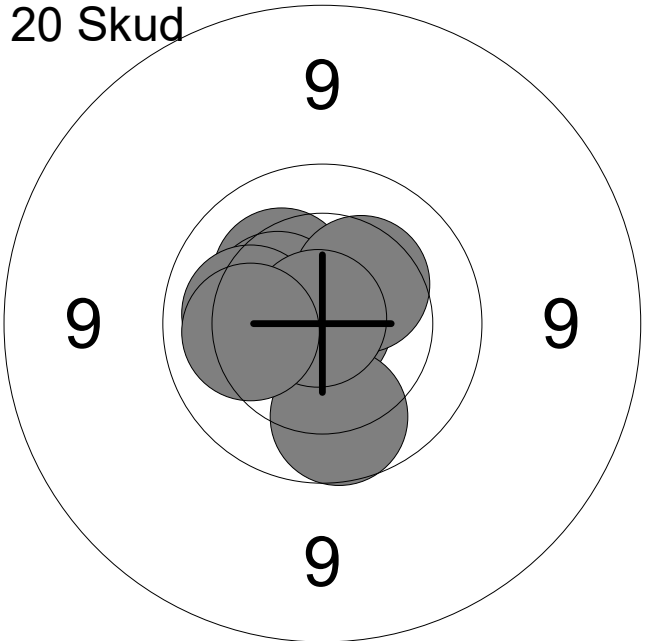
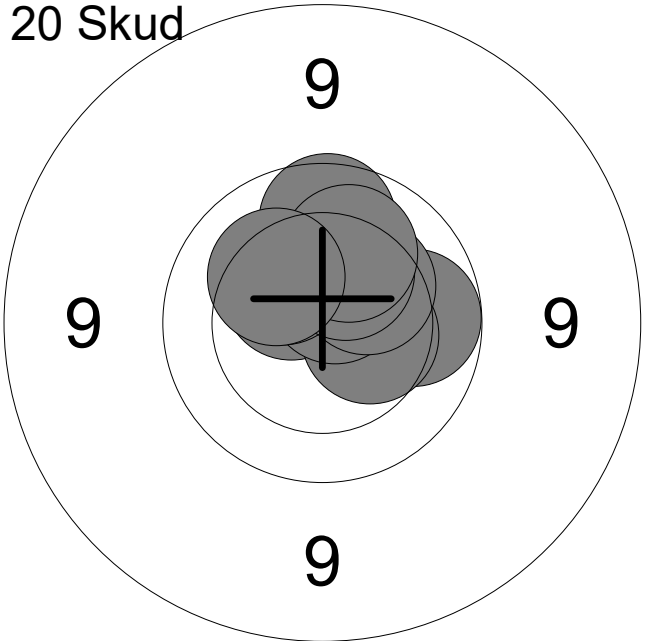


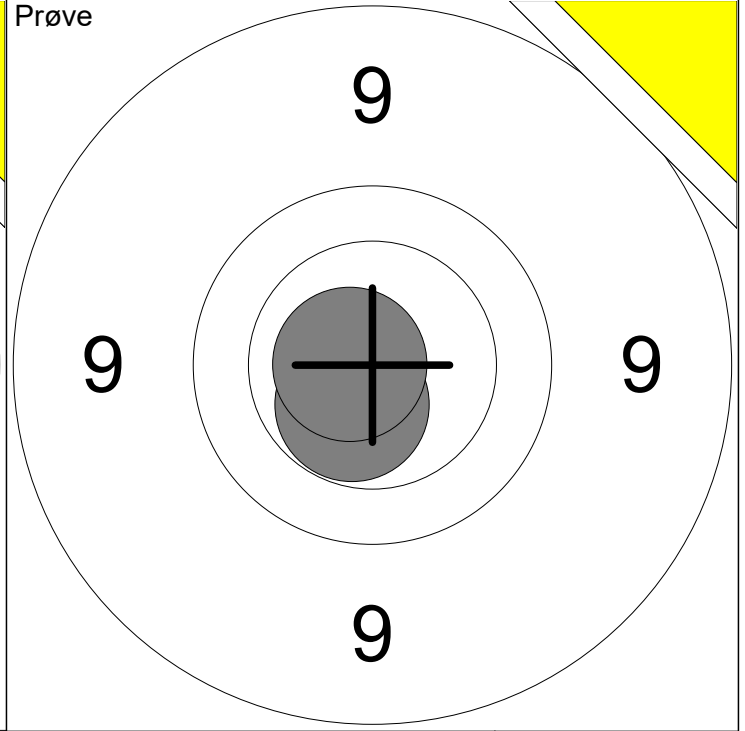
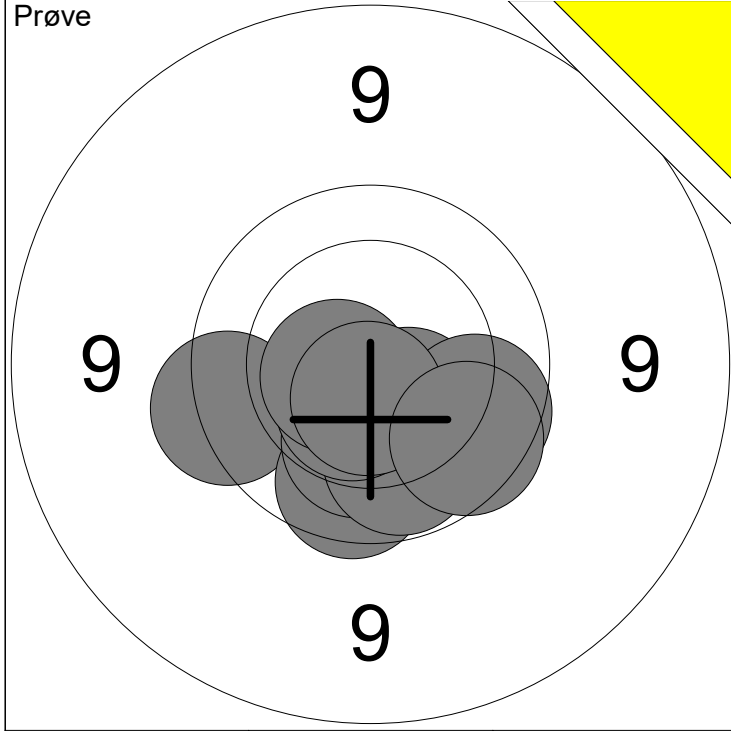
1:	10.1	↓
2:	9.4	←
3:	9.8	←
4:	10.1	↙
5:	9.6	↗
6:	10.0	↓
7:	9.2	↖
8:	8.1	←
9:	9.4	↗
10:	9.3	→
<b>Serie</b>		<b>92 ( 0x)</b>
<b>Total</b>		<b>92 ( 0x)</b>



11:	9.9	↓
12:	9.9	→
13:	10.4	←
14:	9.1	→
15:	9.8	↑
16:	8.9	←
17:	9.1	↗
18:	10.4	↗
19:	10.0	↓
20:	9.3	←
<b>Serie</b>		<b>92 ( 0x)</b>
<b>Total</b>		<b>184 ( 0x)</b>

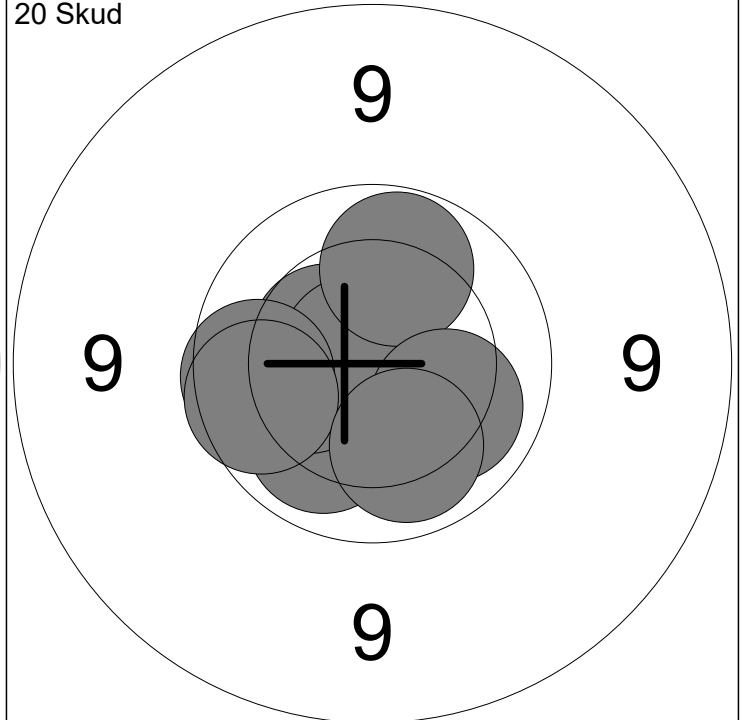
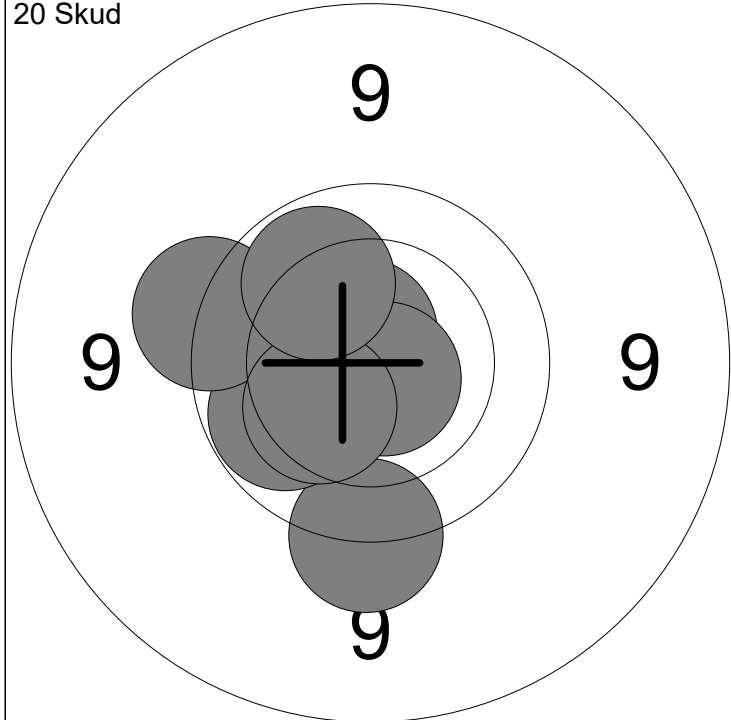
Hold	Skive	Peter Bladt		
14	5	Hvalsø Skytteforening 33. Kreds		MST3
18.11.2024	Ølstykke Skydningen 2024	Ølstykke skytteforening		
<b>Prøve</b> 	1:	10.6x	→	
	2:	10.0	←	
	3:	9.7	→	
	4:	9.6	↘	
	5:	9.3	↗	
	6:	9.5	↖	
	7:	9.0	→	
	Serie			65 ( 1x)
Total			0 ( 0x)	
<b>20 Skud</b> 	1:	10.1	↖	
	2:	9.2	↗	
	3:	8.7	→	
	4:	9.2	↑	
	5:	9.9	←	
	6:	9.8	↑	
	7:	8.9	→	
	8:	10.4	↗	
	9:	10.0	↗	
	10:	9.6	↗	
	Serie			91 ( 0x)
Total			91 ( 0x)	
<b>20 Skud</b> 	11:	8.8	↘	
	12:	9.5	↖	
	13:	9.9	→	
	14:	9.9	→	
	15:	8.9	↑	
	16:	8.3	↖	
	17:	9.9	↘	
	18:	9.1	↗	
	19:	9.9	→	
	20:	9.8	↘	
	Serie			87 ( 0x)
Total			178 ( 0x)	

Hold <b>14</b>	Skive <b>11</b>	<b>William Moelbak</b>			
ØSF		Kreds 57, Ferslev, Skibby		MJ2	
18.11.2024		Ølstykke Skydningen 2024		Ølstykke skytteforening	
<b>Prøve</b> 		1: 10.2 ↗			
		2: 10.5 ↖			
		3: 10.5x ↗			
		4: 10.6x ↓			
		5: 10.6x ↗			
		<b>Serie</b>	<b>50 ( 3x)</b>		
		<b>Total</b>	<b>0 ( 0x)</b>		
<b>20 Skud</b> 		1: 10.3 ↗			
		2: 10.9x →			
		3: 10.8x ↑			
		4: 9.9 ↓			
		5: 10.4 ↖			
		6: 10.4 ↖			
		7: 10.3 ↗			
		8: 10.1 ←			
		9: 10.9x ↗			
		10: 10.1 ←			
		<b>Serie</b>	<b>99 ( 3x)</b>		
		<b>Total</b>	<b>99 ( 3x)</b>		
<b>20 Skud</b> 		11: 10.5 ↗			
		12: 10.0 →			
		13: 10.4 →			
		14: 10.6x ↗			
		15: 10.3 ↗			
		16: 10.3 ↖			
		17: 10.3 ↗			
		18: 9.9 ↑			
		19: 10.1 ↗			
		20: 10.2 ↖			
		<b>Serie</b>	<b>99 ( 1x)</b>		
		<b>Total</b>	<b>198 ( 4x)</b>		



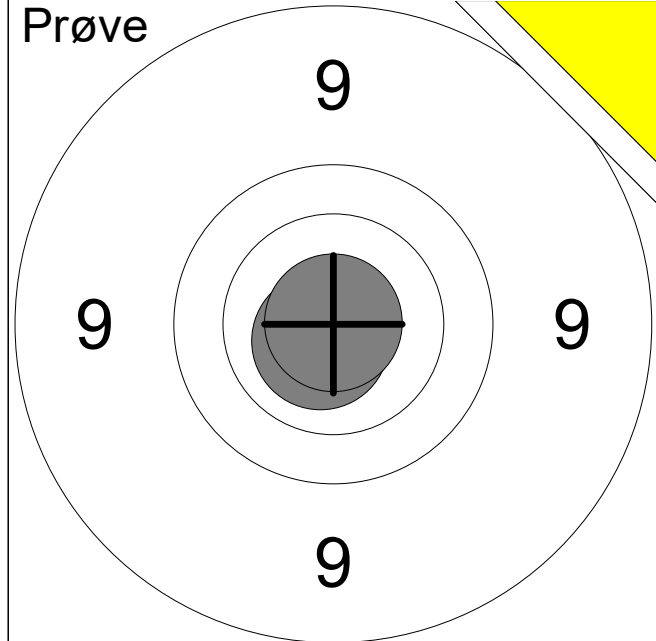
1: 9.7 ←	6: 10.5x ↓	Serie	96 (3x)
2: 9.9 ↓	7: 9.9 →		
3: 10.2 ↓	8: 10.6x ←	Total	0 (0x)
4: 10.4 ↘	9: 10.6x ↓		
5: 10.0 ↓	10: 9.8 ↘		

11: 10.5x ↓	Serie	20 (2x)
12: 10.7x ←		
Total		0 (0x)

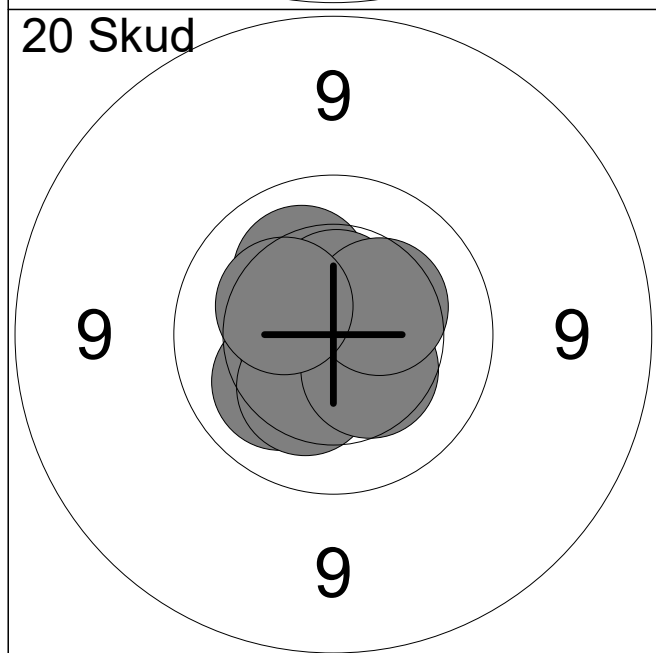


1: 10.6x ↙	6: 10.7x ↗	Serie	98 (5x)
2: 9.6 ↓	7: 10.7x ↓		
3: 10.0 ←	8: 9.6 ←	Total	98 (5x)
4: 10.8x ↗	9: 10.3 ↙		
5: 10.5x ↙	10: 10.0 ↗		

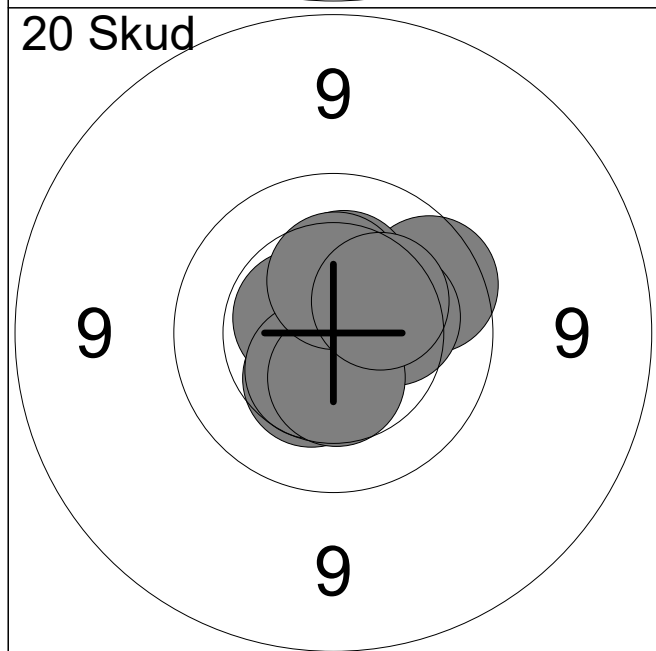
11: 10.1 ↓	16: 9.9 ←	Serie	98 (2x)
12: 10.3 ←	17: 10.0 ↗		
13: 10.5 ↙	18: 9.9 ←	Total	196 (7x)
14: 10.9x ↙	19: 10.1 ↘		
15: 10.8x ↙	20: 10.1 ↓		



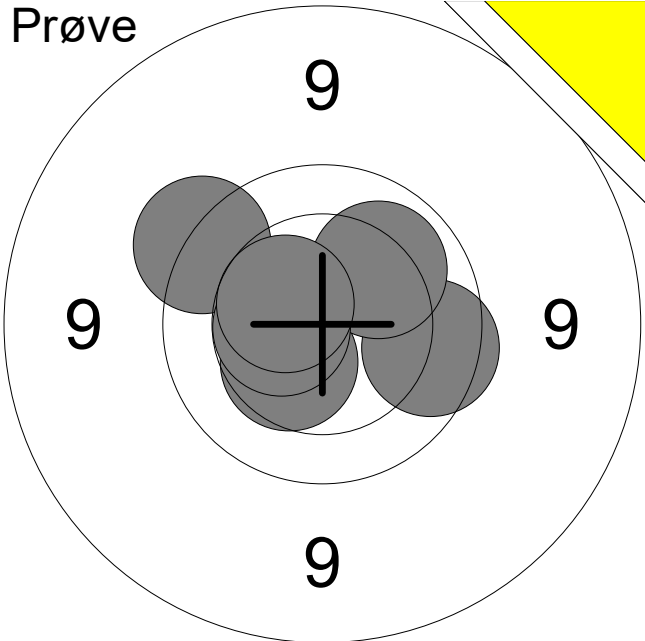
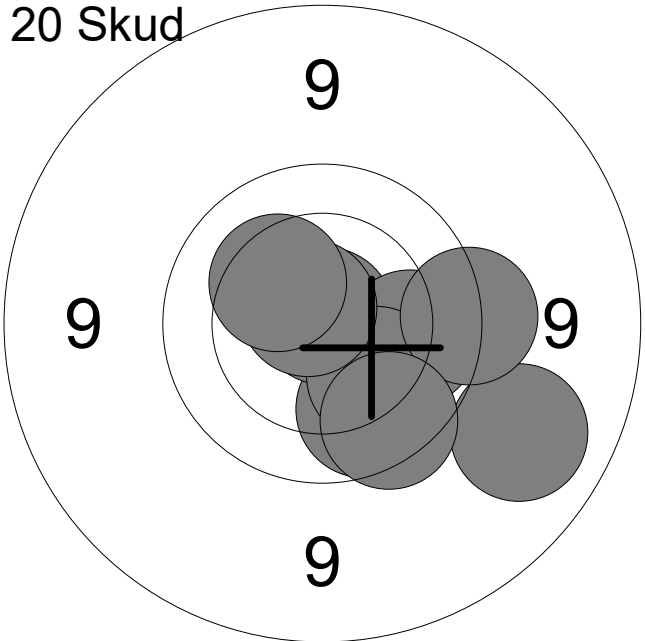
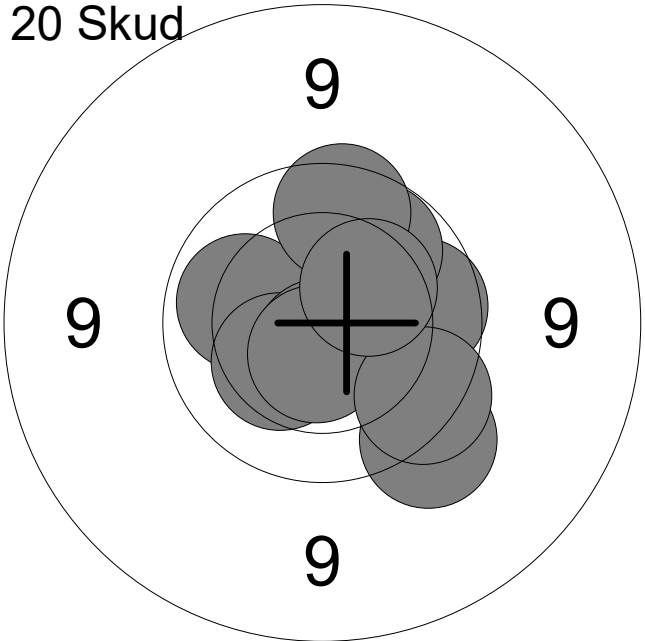
	1:	10.7x	↙
	2:	10.9x	↑
<b>Serie</b>			<b>20 ( 2x)</b>
<b>Total</b>			<b>0 ( 0x)</b>

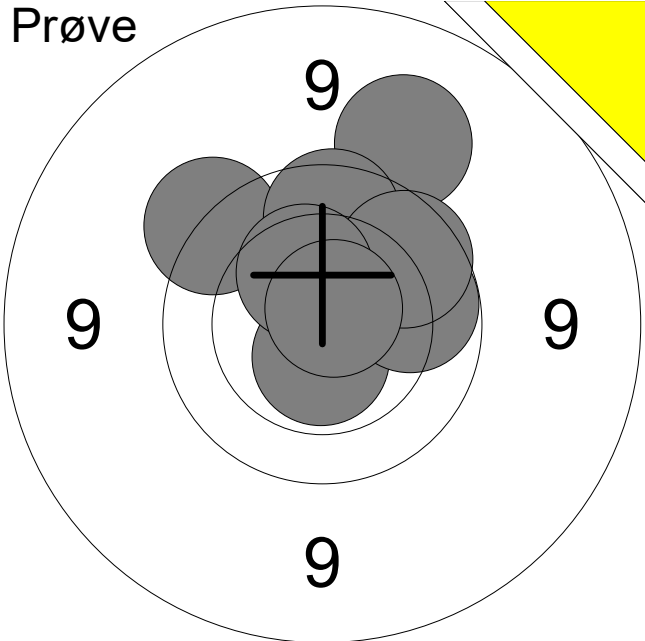
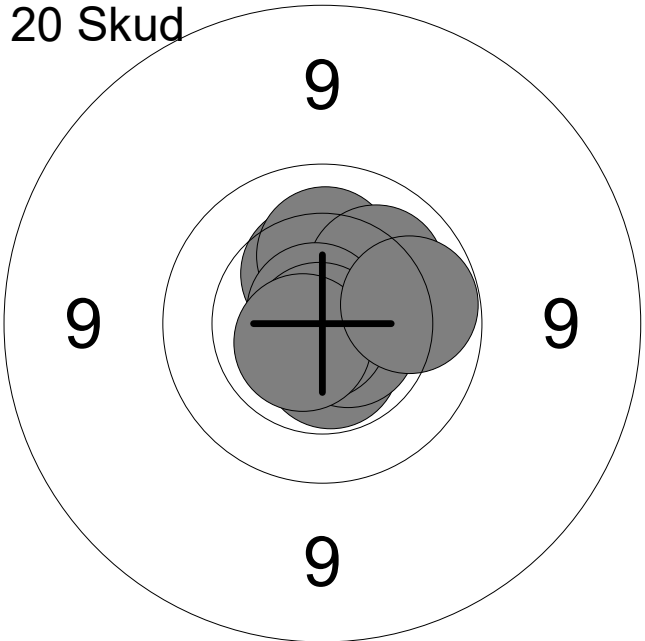
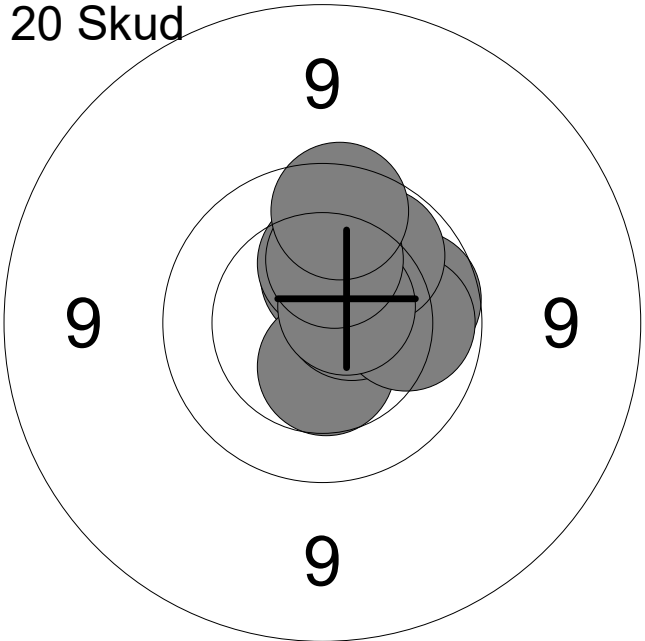


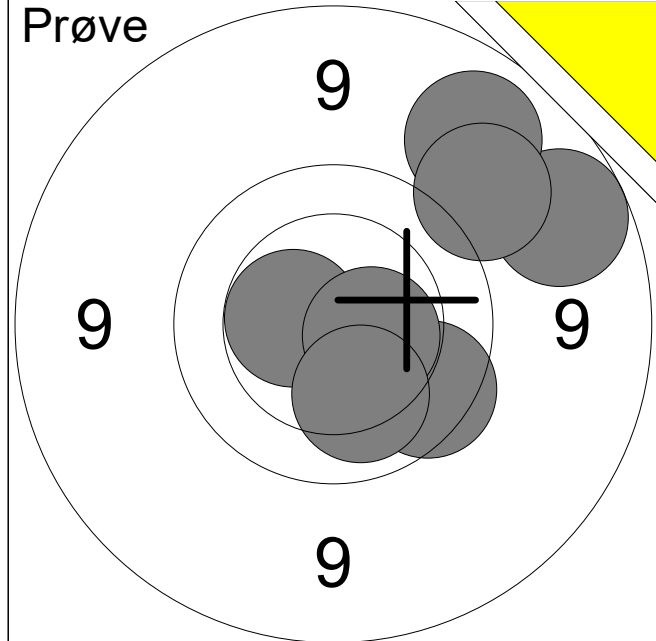
	1:	10.2	↖
	2:	10.6x	→
	3:	10.2	↙
	4:	10.6x	←
	5:	10.6x	↙
	6:	10.3	↙
	7:	10.6x	↑
	8:	10.4	↘
	9:	10.4	↗
	10:	10.3	↖
<b>Serie</b>			<b>100 ( 4x)</b>
<b>Total</b>			<b>100 ( 4x)</b>



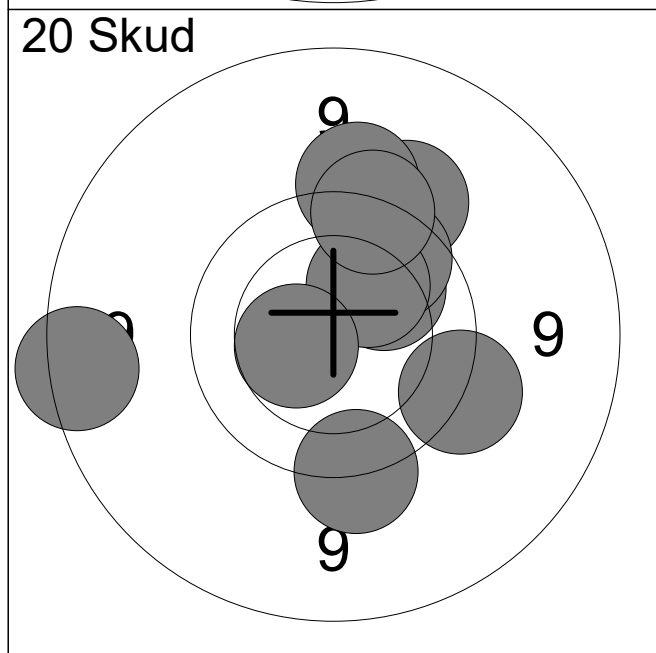
	11:	9.8	↗
	12:	10.4	↙
	13:	10.3	→
	14:	10.7x	↗
	15:	10.6x	←
	16:	10.3	↑
	17:	10.5	↙
	18:	10.5	↓
	19:	10.4	↑
	20:	10.3	↗
<b>Serie</b>			<b>99 ( 2x)</b>
<b>Total</b>			<b>199 ( 6x)</b>

Hold <b>18</b>	Skive <b>1</b>	<b>Benjamin Landman</b>																																
ØSF		Kreds 57, Ferslev, Skibby		J2																														
18.11.2024		Ølstykke Skydningen 2024		Ølstykke skytteforening																														
<b>Prøve</b>		<table> <tr><td>1:</td><td>10.4</td><td>↙</td></tr> <tr><td>2:</td><td>9.6</td><td>↗</td></tr> <tr><td>3:</td><td>9.8</td><td>→</td></tr> <tr><td>4:</td><td>10.1</td><td>↗</td></tr> <tr><td>5:</td><td>10.5x</td><td>↖</td></tr> <tr><td>6:</td><td>10.5</td><td>↗</td></tr> </table>			1:	10.4	↙	2:	9.6	↗	3:	9.8	→	4:	10.1	↗	5:	10.5x	↖	6:	10.5	↗												
1:	10.4	↙																																
2:	9.6	↗																																
3:	9.8	→																																
4:	10.1	↗																																
5:	10.5x	↖																																
6:	10.5	↗																																
		Serie		58 ( 1x)																														
		Total		0 ( 0x)																														
<b>20 Skud</b>		<table> <tr><td>1:</td><td>10.3</td><td>↘</td></tr> <tr><td>2:</td><td>9.9</td><td>↙</td></tr> <tr><td>3:</td><td>10.9x</td><td>↗</td></tr> <tr><td>4:</td><td>10.0</td><td>→</td></tr> <tr><td>5:</td><td>10.1</td><td>↙</td></tr> <tr><td>6:</td><td>9.1</td><td>↙</td></tr> <tr><td>7:</td><td>9.6</td><td>→</td></tr> <tr><td>8:</td><td>9.8</td><td>↙</td></tr> <tr><td>9:</td><td>10.7x</td><td>↗</td></tr> <tr><td>10:</td><td>10.3</td><td>↗</td></tr> </table>			1:	10.3	↘	2:	9.9	↙	3:	10.9x	↗	4:	10.0	→	5:	10.1	↙	6:	9.1	↙	7:	9.6	→	8:	9.8	↙	9:	10.7x	↗	10:	10.3	↗
1:	10.3	↘																																
2:	9.9	↙																																
3:	10.9x	↗																																
4:	10.0	→																																
5:	10.1	↙																																
6:	9.1	↙																																
7:	9.6	→																																
8:	9.8	↙																																
9:	10.7x	↗																																
10:	10.3	↗																																
		Serie		96 ( 2x)																														
		Total		96 ( 2x)																														
<b>20 Skud</b>		<table> <tr><td>11:</td><td>10.1</td><td>↖</td></tr> <tr><td>12:</td><td>9.9</td><td>→</td></tr> <tr><td>13:</td><td>10.0</td><td>↗</td></tr> <tr><td>14:</td><td>9.8</td><td>↗</td></tr> <tr><td>15:</td><td>10.3</td><td>↙</td></tr> <tr><td>16:</td><td>10.7x</td><td>↙</td></tr> <tr><td>17:</td><td>10.6x</td><td>↙</td></tr> <tr><td>18:</td><td>9.5</td><td>↙</td></tr> <tr><td>19:</td><td>9.7</td><td>↙</td></tr> <tr><td>20:</td><td>10.3</td><td>↗</td></tr> </table>			11:	10.1	↖	12:	9.9	→	13:	10.0	↗	14:	9.8	↗	15:	10.3	↙	16:	10.7x	↙	17:	10.6x	↙	18:	9.5	↙	19:	9.7	↙	20:	10.3	↗
11:	10.1	↖																																
12:	9.9	→																																
13:	10.0	↗																																
14:	9.8	↗																																
15:	10.3	↙																																
16:	10.7x	↙																																
17:	10.6x	↙																																
18:	9.5	↙																																
19:	9.7	↙																																
20:	10.3	↗																																
		Serie		96 ( 2x)																														
		Total		192 ( 4x)																														

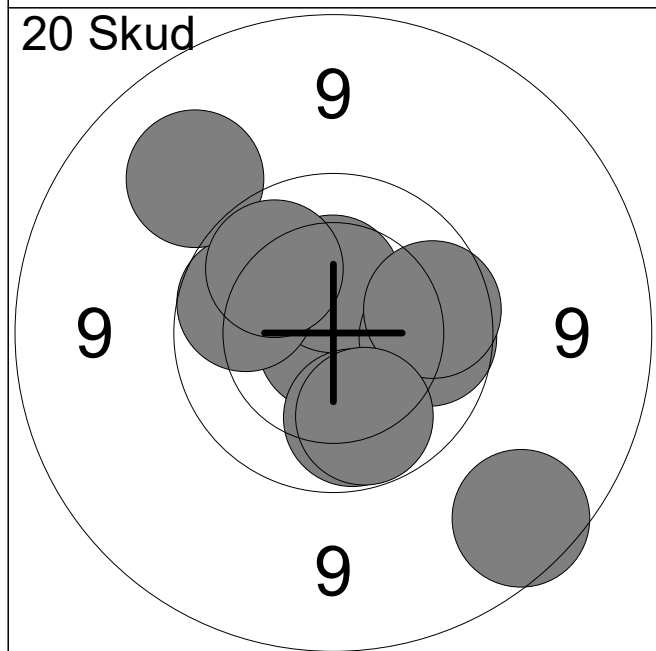
Hold <b>18</b>	Skive <b>2</b>	<b>Amanda Jensen</b>		
ØSF		Kreds 57, Ferslev, Skibby		J1
18.11.2024		Ølstykke Skydningen 2024		Ølstykke skytteforening
<b>Prøve</b> 		1: 9.6 ↖ 2: 9.3 ↑ 3: 9.8 ↑ 4: 10.6x ↓ 5: 10.0 → 6: 9.9 ↗ 7: 10.4 ↑ 8: 10.7x ↗		
		Serie		76 ( 2x)
		Total		0 ( 0x)
<b>20 Skud</b> 		1: 10.4 ↑ 2: 10.6x ↑ 3: 10.2 ↑ 4: 10.1 ↗ 5: 10.8x ↖ 6: 10.5x ↓ 7: 10.6x ↘ 8: 10.9x ↓ 9: 10.6x ↙ 10: 10.0 →		
		Serie		100 ( 6x)
		Total		100 ( 6x)
<b>20 Skud</b> 		11: 10.4 ↑ 12: 10.5 ↓ 13: 10.6x → 14: 9.9 → 15: 10.0 → 16: 10.3 ↑ 17: 10.0 ↗ 18: 10.6x ↗ 19: 10.2 ↑ 20: 9.8 ↑		
		Serie		98 ( 2x)
		Total		198 ( 8x)



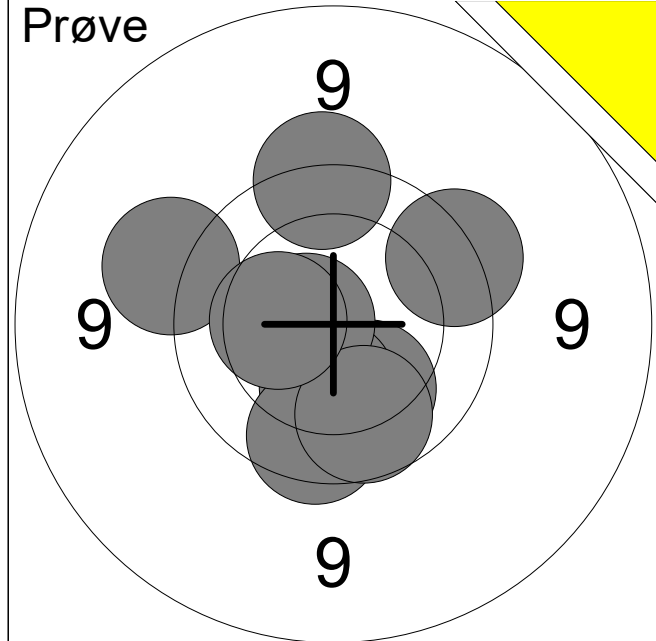
1:	9.0	➔
2:	9.1	↗
3:	9.3	↗
4:	10.5x	←
5:	9.8	↘
6:	10.5x	➔
7:	10.1	↘
<b>Serie</b>		<b>66 ( 2x)</b>
<b>Total</b>		<b>0 ( 0x)</b>



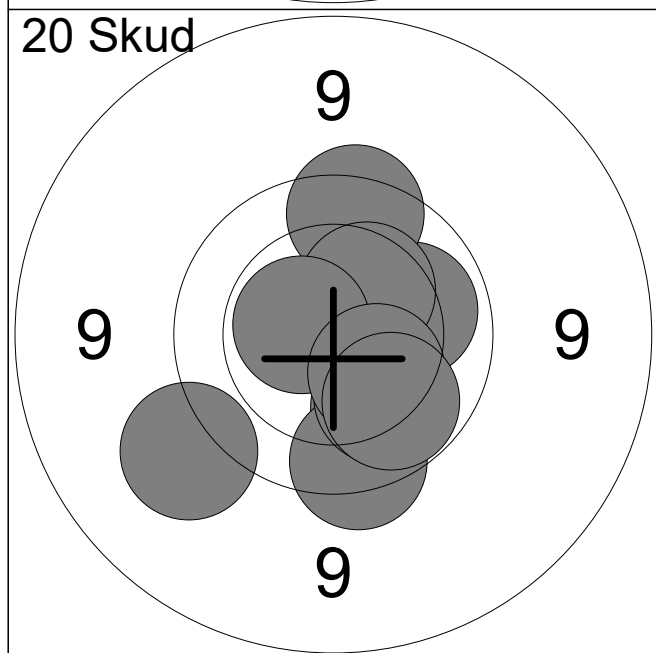
1:	10.1	↗
2:	9.6	↘
3:	9.5	↗
4:	9.9	↗
5:	9.5	↑
6:	10.2	↗
7:	10.5	←
8:	9.6	↑
9:	9.5	➔
10:	8.8	←
<b>Serie</b>		<b>92 ( 0x)</b>
<b>Total</b>		<b>92 ( 0x)</b>



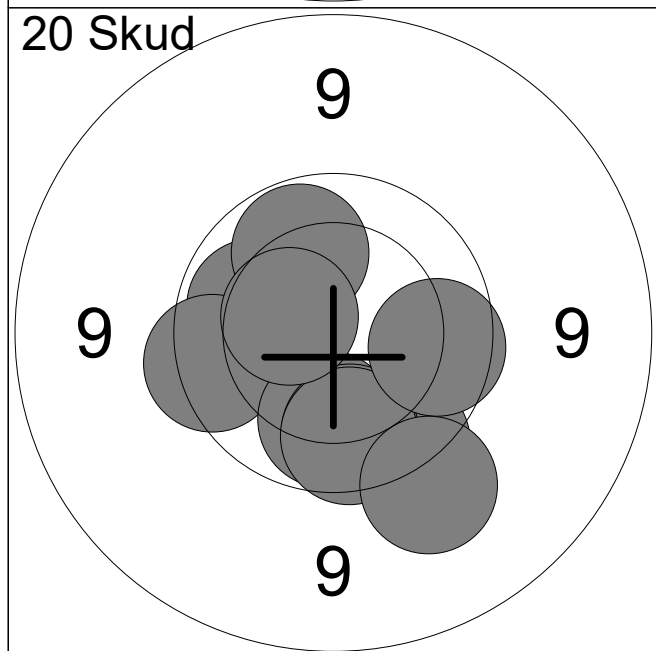
11:	10.8x	↘
12:	10.4	↑
13:	9.9	➔
14:	9.9	←
15:	10.0	↘
16:	9.9	➔
17:	9.2	↗
18:	10.0	↘
19:	8.9	↘
20:	10.0	↗
<b>Serie</b>		<b>94 ( 1x)</b>
<b>Total</b>		<b>186 ( 1x)</b>



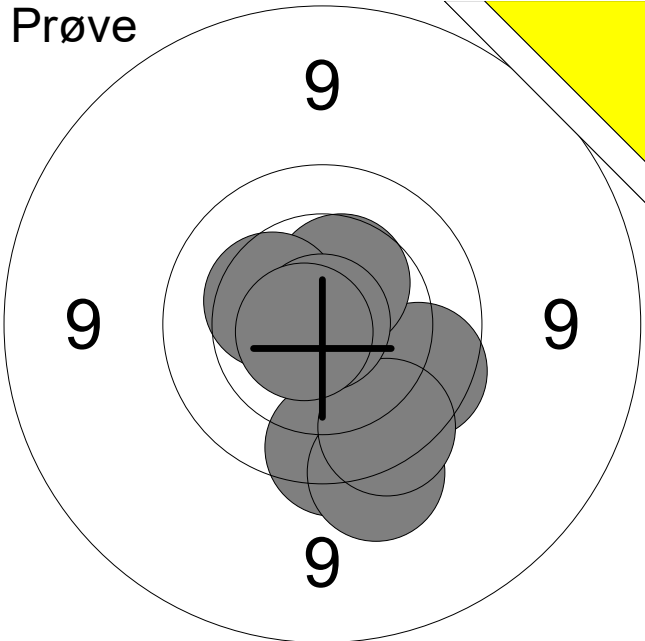
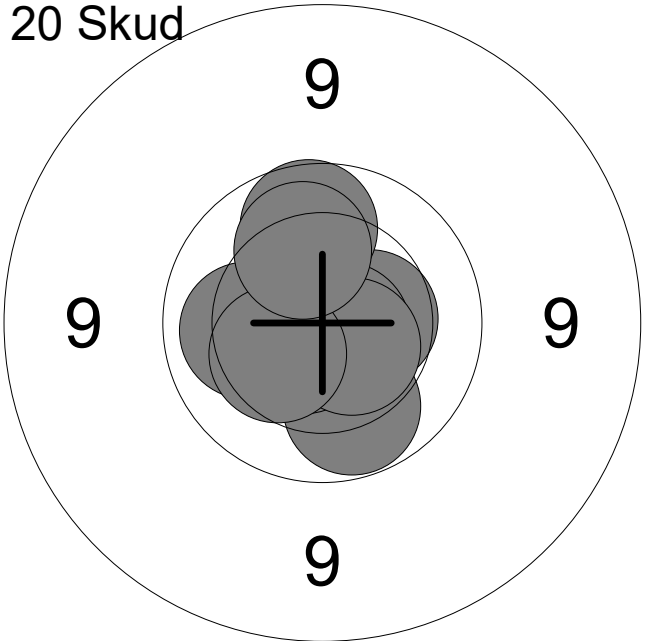
1:	10.1	↘
2:	9.4	←
3:	10.3	↓
4:	9.6	↑
5:	10.7x	←
6:	9.8	↓
7:	9.9	↓
8:	9.7	↗
9:	10.3	←
<b>Serie</b>		<b>85 ( 1x)</b>
<b>Total</b>		<b>0 ( 0x)</b>

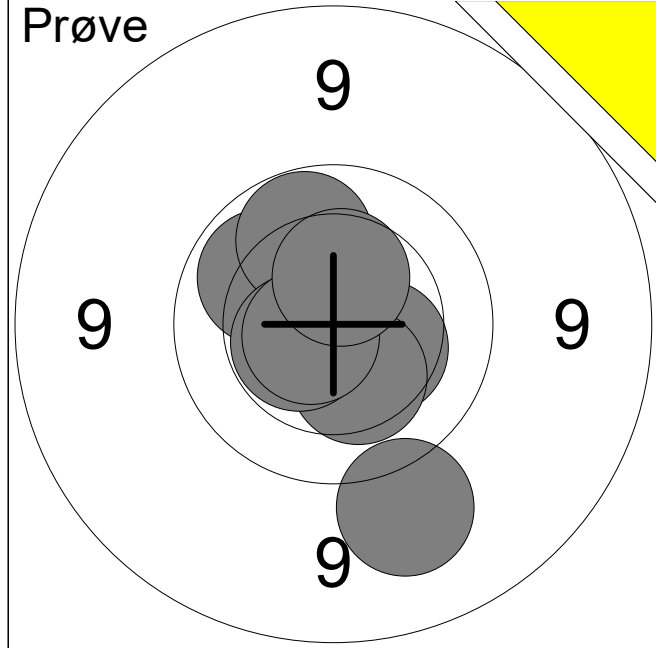


1:	10.0	↘
2:	9.7	↓
3:	10.1	↗
4:	9.7	↑
5:	9.4	↙
6:	10.3	↗
7:	10.6x	←
8:	10.1	↓
9:	10.3	↓
10:	10.0	↓
<b>Serie</b>		<b>97 ( 1x)</b>
<b>Total</b>		<b>97 ( 1x)</b>

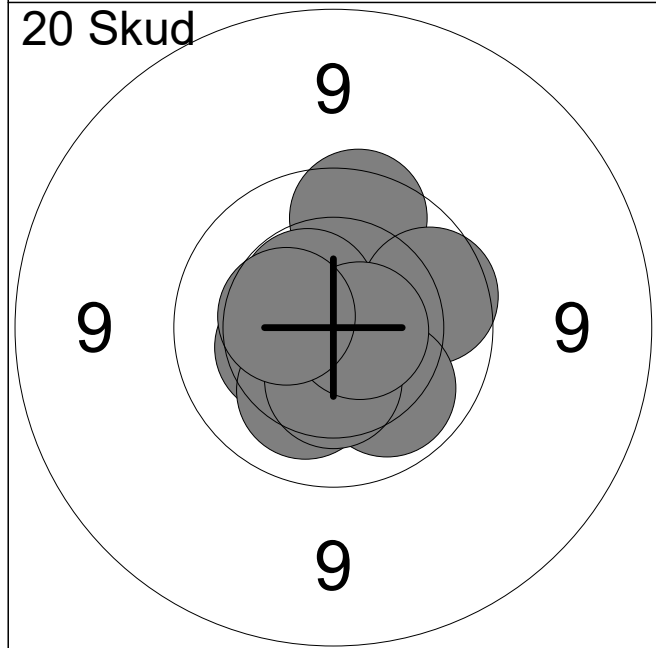


11:	10.0	←
12:	10.0	↑
13:	9.7	↓
14:	9.7	←
15:	10.0	↓
16:	9.9	↓
17:	9.9	↓
18:	10.4	↗
19:	9.9	↗
20:	9.4	↓
<b>Serie</b>		<b>94 ( 0x)</b>
<b>Total</b>		<b>191 ( 1x)</b>

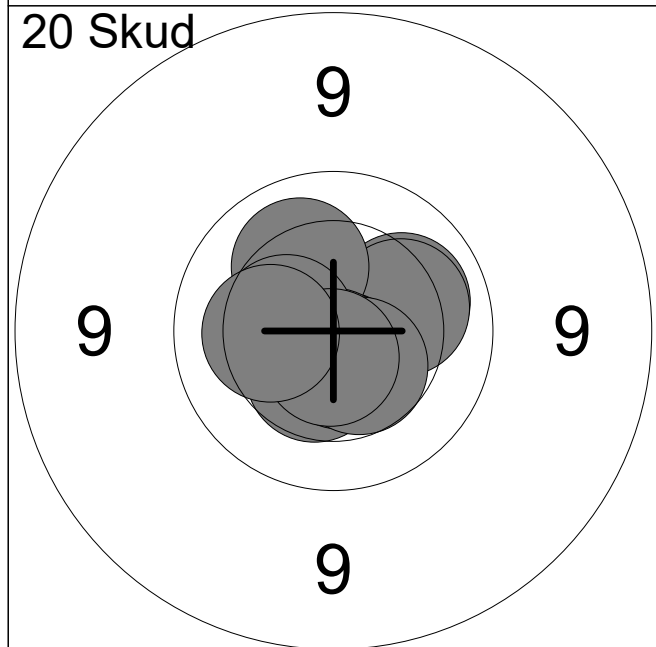
Hold <b>18</b>	Skive <b>8</b>	<b>Stefan Misfeldt Kvist-Andersen</b>		
ØSF		Ganløse Skytteforening		Å1
18.11.2024		Ølstykke Skydningen 2024	Ølstykke skytteforening	
<b>Prøve</b> 		1: 9.8 → 2: 9.7 ↓ 3: 9.5 ↓ 4: 9.8 ↓ 5: 10.4 ↑ 6: 10.3 ↖ 7: 10.9x ↑ 8: 10.7x ←		
		Serie		76 ( 2x)
		Total		0 ( 0x)
<b>20 Skud</b> 		1: 9.9 ↘ 2: 9.8 ↖ 3: 10.1 → 4: 10.8x ↘ 5: 10.4 ↗ 6: 10.6x ↘ 7: 9.7 ↘ 8: 10.4 ↘ 9: 10.5x ↓ 10: 10.6x ↗		
		Serie		97 ( 4x)
		Total		97 ( 4x)
<b>20 Skud</b> 		11: 10.5 ↓ 12: 10.4 → 13: 10.1 ← 14: 9.9 ↑ 15: 10.7x ↘ 16: 10.0 ↓ 17: 10.6x ↘ 18: 10.5x ↘ 19: 10.3 ↖ 20: 10.1 ↑		
		Serie		99 ( 3x)
		Total		196 ( 7x)



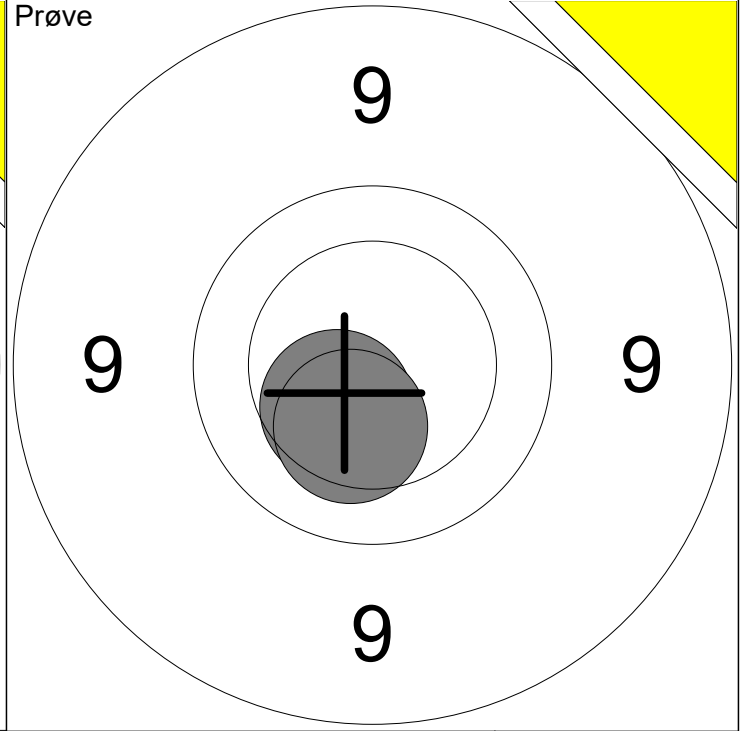
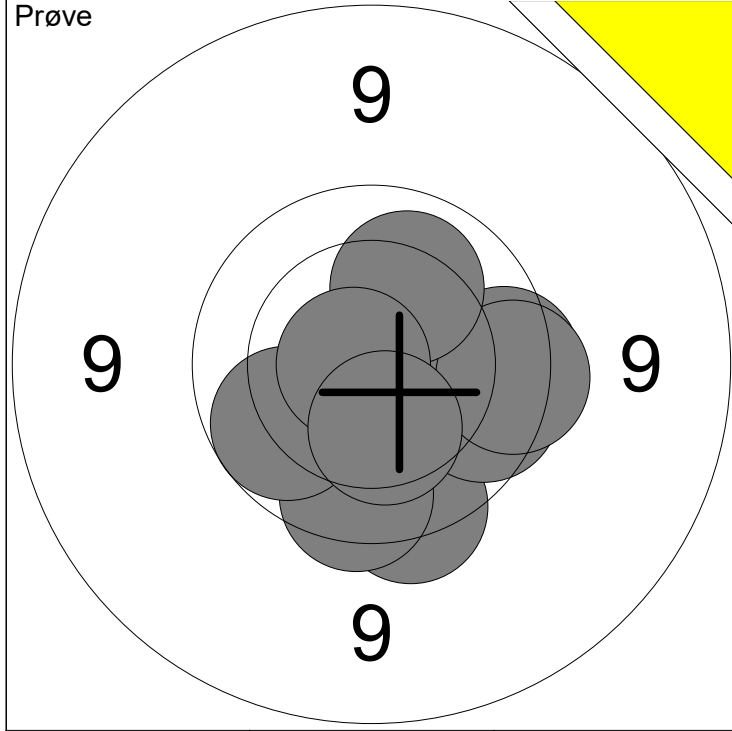
1:	9.3	↓
2:	10.3	↑
3:	10.4	↓
4:	10.3	↓
5:	10.6x	↑
6:	10.0	↑
7:	10.0	↑
8:	10.5x	←
9:	10.7x	←
10:	10.4	↑
<b>Serie</b>		<b>99 ( 3x)</b>
<b>Total</b>		<b>0 ( 0x)</b>



1:	10.4	←
2:	10.2	↓
3:	9.8	↑
4:	9.9	→
5:	10.1	↓
6:	10.4	↓
7:	10.7x	↑
8:	10.5x	↑
9:	10.7x	→
10:	10.4	←
<b>Serie</b>		<b>98 ( 3x)</b>
<b>Total</b>		<b>98 ( 3x)</b>

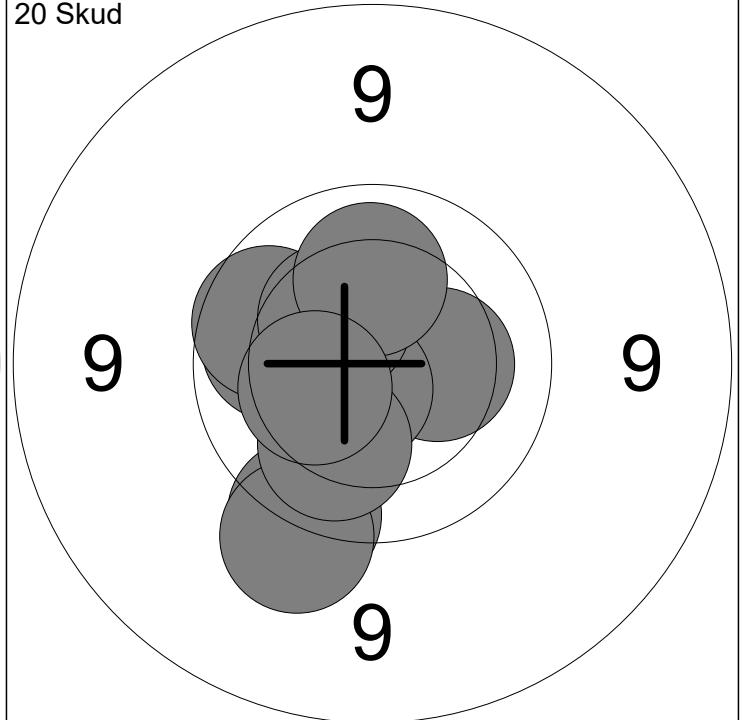
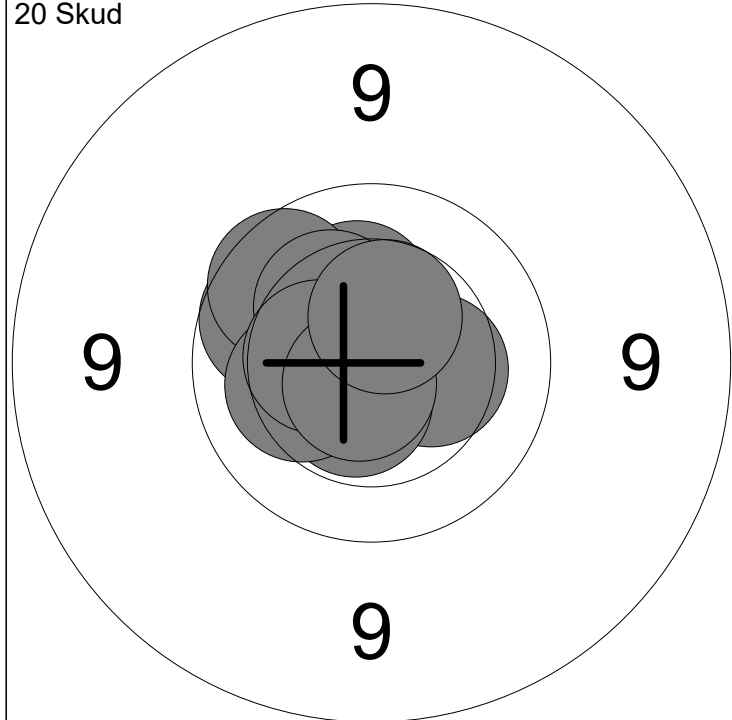


11:	10.4	↓
12:	10.1	→
13:	10.2	→
14:	10.6x	↓
15:	10.2	↑
16:	10.7x	↓
17:	10.5	↓
18:	10.4	←
19:	10.7x	↓
20:	10.3	←
<b>Serie</b>		<b>100 ( 3x)</b>
<b>Total</b>		<b>198 ( 6x)</b>



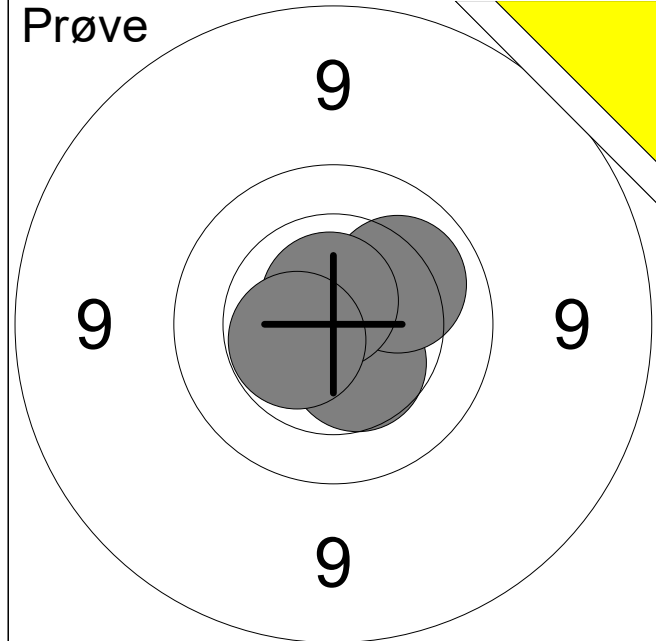
1: 10.1 ↙	6: 9.7 →	Serie	94 ( 1x)
2: 9.7 ↓	7: 10.1 ↗		
3: 9.8 ↓	8: 9.9 ↙	Total	0 ( 0x)
4: 9.9 →	9: 10.8x ←		
5: 9.8 →	10: 10.3 ↓		

11: 10.4 ↙	Serie	20 ( 0x)
12: 10.3 ↓		
	Total	0 ( 0x)

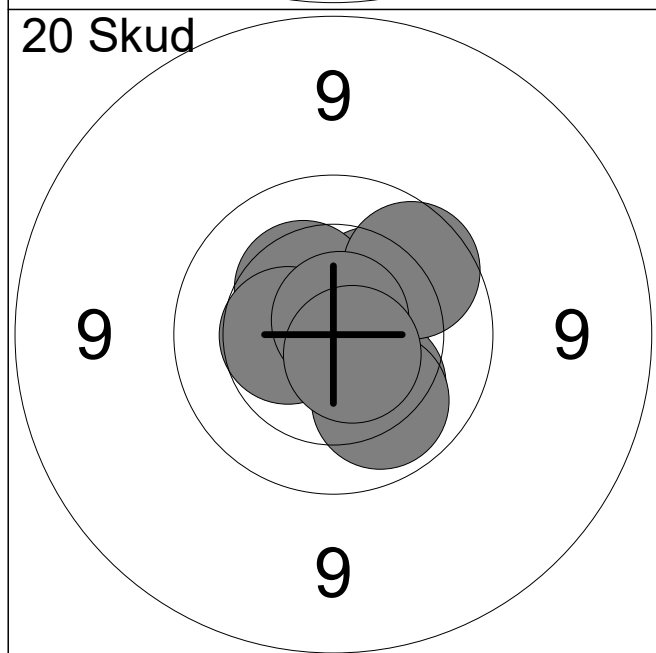


1: 9.9 ↖	6: 10.2 ←	Serie	98 ( 2x)
2: 10.3 ↗	7: 10.3 ↖		
3: 10.4 →	8: 10.4 ←	Total	98 ( 2x)
4: 9.9 ↖	9: 10.7x ↙		
5: 10.6x ↙	10: 10.5 ↗		

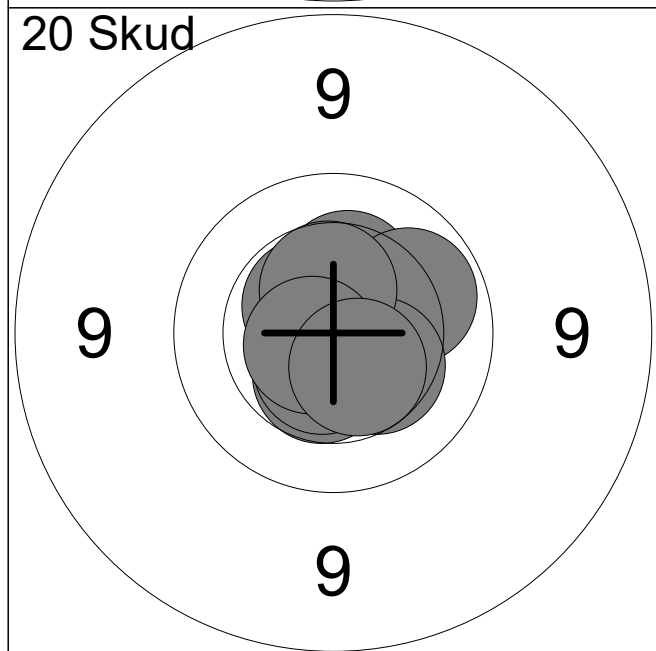
11: 10.0 ←	16: 9.6 ↙	Serie	97 ( 1x)
12: 9.9 ↖	17: 9.5 ↙		
13: 10.3 →	18: 10.1 ↙	Total	195 ( 3x)
14: 10.7x ↙	19: 10.1 ↗		
15: 10.4 ↖	20: 10.3 ←		



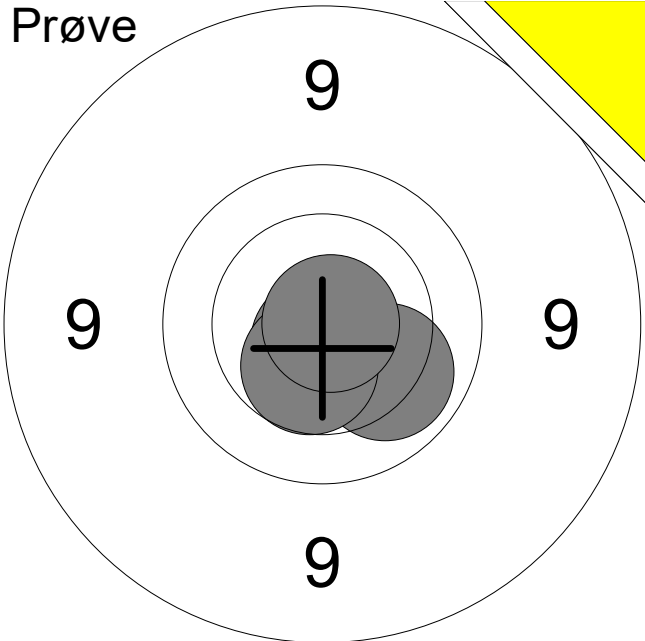
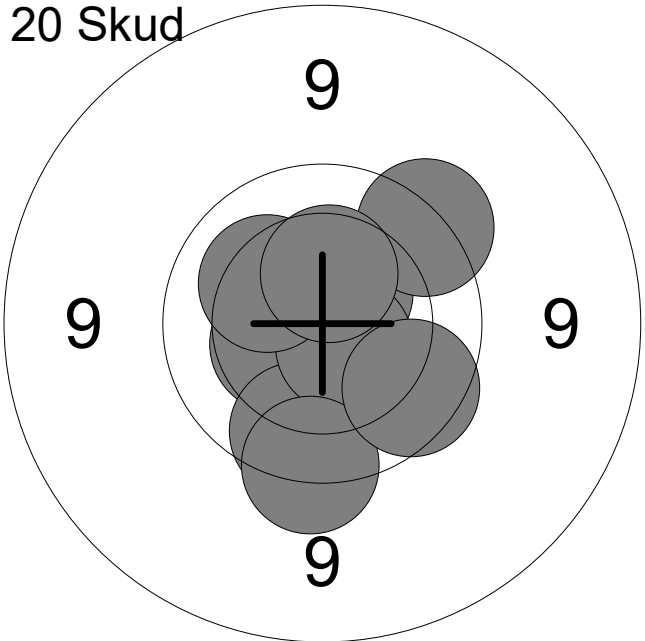
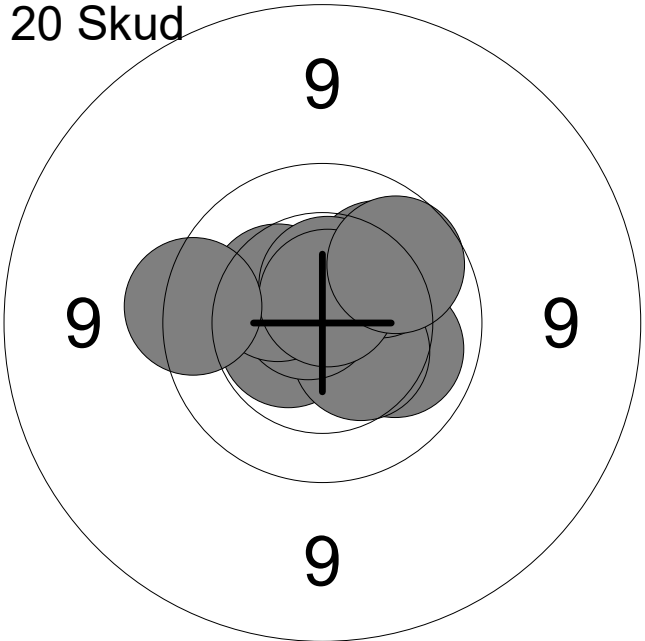
1:	10.4	↘
2:	10.1	↗
3:	10.7x	↑
4:	10.5x	↙
<b>Serie</b>		<b>40 ( 2x)</b>
<b>Total</b>		<b>0 ( 0x)</b>

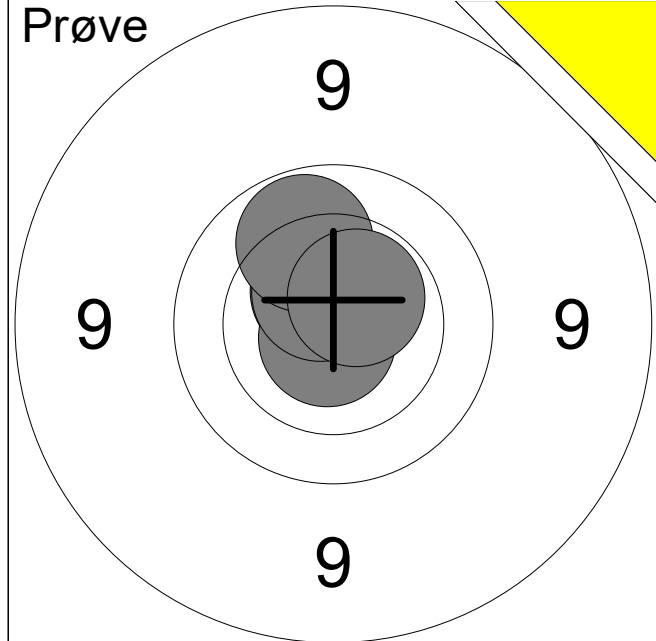


1:	10.7x	→
2:	10.3	↗
3:	10.9x	←
4:	10.3	↗
5:	10.2	↘
6:	9.9	↗
7:	10.5	←
8:	10.8x	↑
9:	10.1	↘
10:	10.6x	↘
<b>Serie</b>		<b>99 ( 4x)</b>
<b>Total</b>		<b>99 ( 4x)</b>

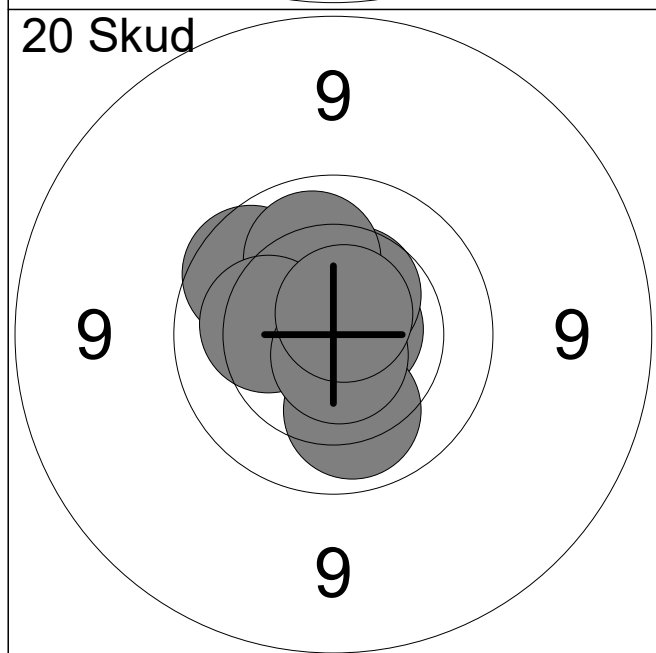


11:	10.5x	↑
12:	10.3	↑
13:	10.0	↗
14:	10.5	↘
15:	10.4	↘
16:	10.6x	↗
17:	10.6x	↘
18:	10.5	↑
19:	10.7x	↙
20:	10.5	↘
<b>Serie</b>		<b>100 ( 4x)</b>
<b>Total</b>		<b>199 ( 8x)</b>

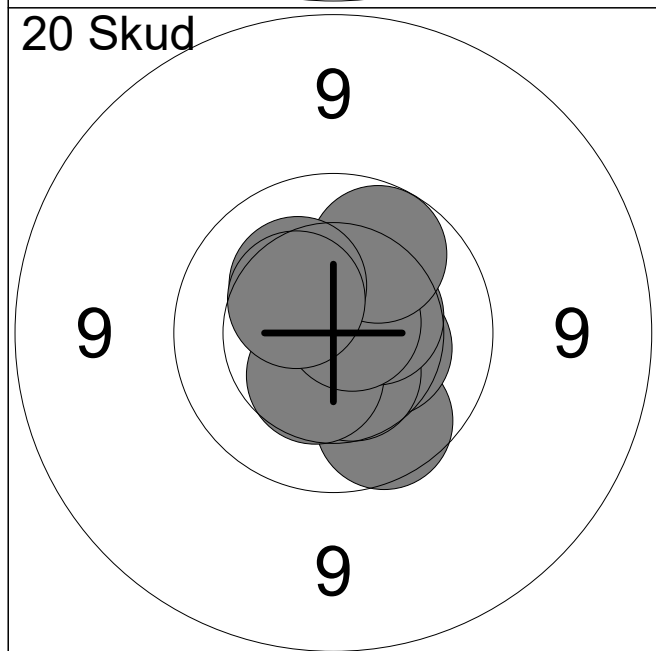
Hold <b>19</b>	Skive <b>9</b>	<b>Marcus Elleroed Hansen</b>																																
ØSF		Ganløse Skytteforening		J1																														
18.11.2024		Ølstykke Skydningen 2024	Ølstykke skytteforening																															
<b>Prøve</b>		<table border="0"> <tr><td>1:</td><td>10.7x</td><td>↓</td></tr> <tr><td>2:</td><td>10.1</td><td>↘</td></tr> <tr><td>3:</td><td>10.5</td><td>↓</td></tr> <tr><td>4:</td><td>10.9x</td><td>→</td></tr> </table>			1:	10.7x	↓	2:	10.1	↘	3:	10.5	↓	4:	10.9x	→																		
1:	10.7x	↓																																
2:	10.1	↘																																
3:	10.5	↓																																
4:	10.9x	→																																
		Serie		40 ( 2x)																														
		Total		0 ( 0x)																														
<b>20 Skud</b>		<table border="0"> <tr><td>1:</td><td>10.5x</td><td>↗</td></tr> <tr><td>2:</td><td>10.6x</td><td>↓</td></tr> <tr><td>3:</td><td>9.6</td><td>↗</td></tr> <tr><td>4:</td><td>10.4</td><td>←</td></tr> <tr><td>5:</td><td>9.8</td><td>↓</td></tr> <tr><td>6:</td><td>10.6x</td><td>↘</td></tr> <tr><td>7:</td><td>9.6</td><td>↓</td></tr> <tr><td>8:</td><td>10.2</td><td>↗</td></tr> <tr><td>9:</td><td>9.8</td><td>↘</td></tr> <tr><td>10:</td><td>10.4</td><td>↑</td></tr> </table>			1:	10.5x	↗	2:	10.6x	↓	3:	9.6	↗	4:	10.4	←	5:	9.8	↓	6:	10.6x	↘	7:	9.6	↓	8:	10.2	↗	9:	9.8	↘	10:	10.4	↑
1:	10.5x	↗																																
2:	10.6x	↓																																
3:	9.6	↗																																
4:	10.4	←																																
5:	9.8	↓																																
6:	10.6x	↘																																
7:	9.6	↓																																
8:	10.2	↗																																
9:	9.8	↘																																
10:	10.4	↑																																
		Serie		96 ( 3x)																														
		Total		96 ( 3x)																														
<b>20 Skud</b>		<table border="0"> <tr><td>11:</td><td>10.5x</td><td>←</td></tr> <tr><td>12:</td><td>10.1</td><td>→</td></tr> <tr><td>13:</td><td>10.4</td><td>↘</td></tr> <tr><td>14:</td><td>10.7x</td><td>↗</td></tr> <tr><td>15:</td><td>10.1</td><td>↗</td></tr> <tr><td>16:</td><td>10.4</td><td>↗</td></tr> <tr><td>17:</td><td>10.5x</td><td>↑</td></tr> <tr><td>18:</td><td>10.7x</td><td>↑</td></tr> <tr><td>19:</td><td>9.7</td><td>←</td></tr> <tr><td>20:</td><td>9.9</td><td>↗</td></tr> </table>			11:	10.5x	←	12:	10.1	→	13:	10.4	↘	14:	10.7x	↗	15:	10.1	↗	16:	10.4	↗	17:	10.5x	↑	18:	10.7x	↑	19:	9.7	←	20:	9.9	↗
11:	10.5x	←																																
12:	10.1	→																																
13:	10.4	↘																																
14:	10.7x	↗																																
15:	10.1	↗																																
16:	10.4	↗																																
17:	10.5x	↑																																
18:	10.7x	↑																																
19:	9.7	←																																
20:	9.9	↗																																
		Serie		98 ( 4x)																														
		Total		194 ( 7x)																														



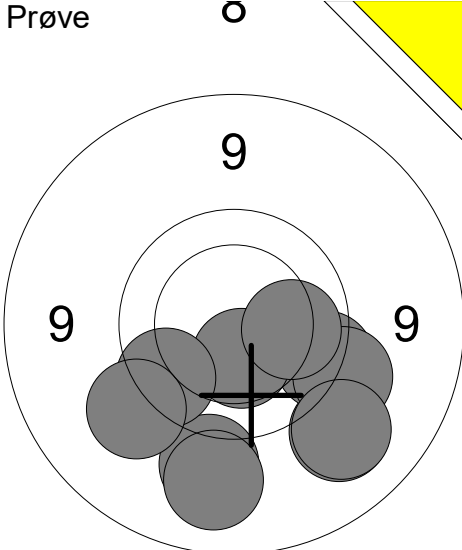
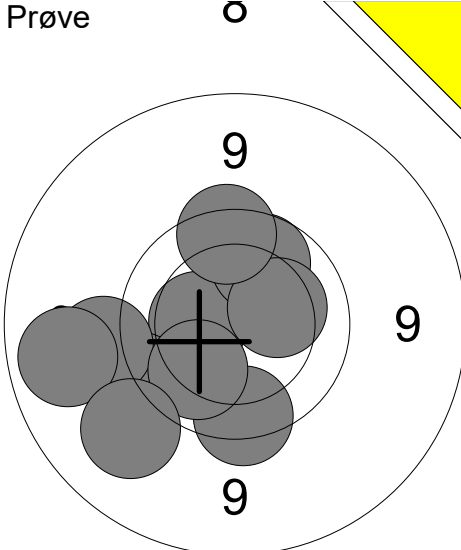
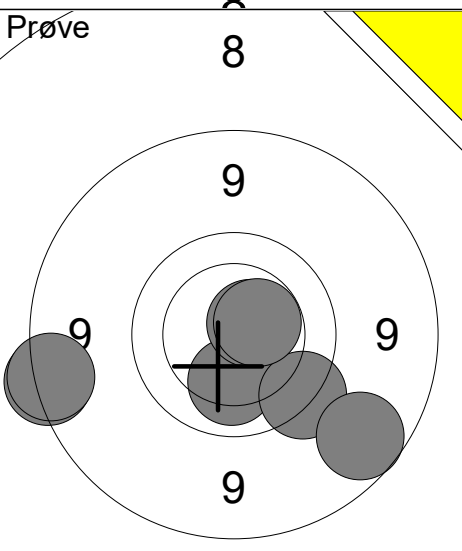
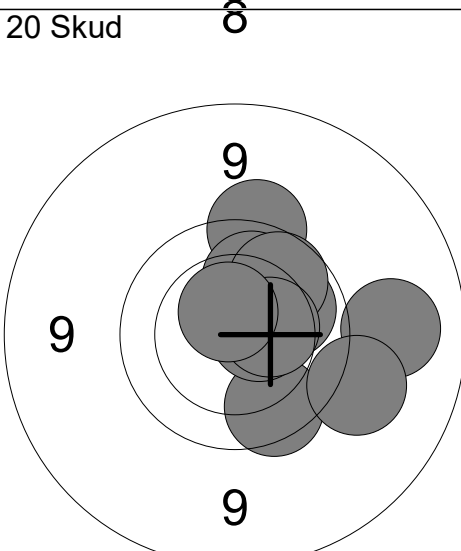
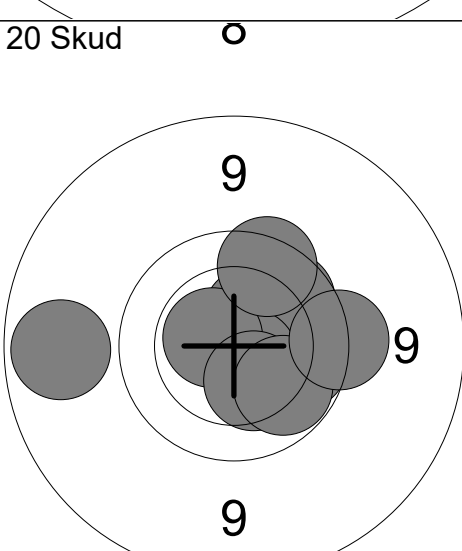
1:	10.6x	↗
2:	10.8x	↘
3:	10.6x	↗
4:	10.0	↗
5:	10.6x	↗
<b>Serie</b>		<b>50 ( 4x)</b>
<b>Total</b>		<b>0 ( 0x)</b>

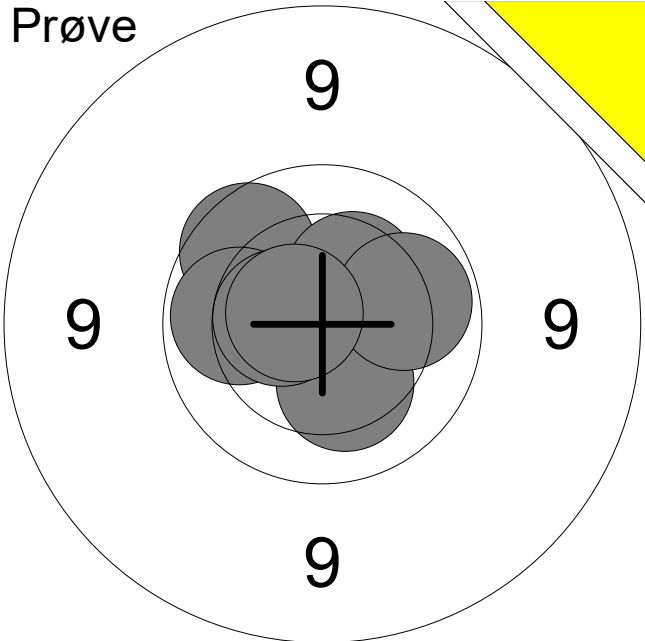
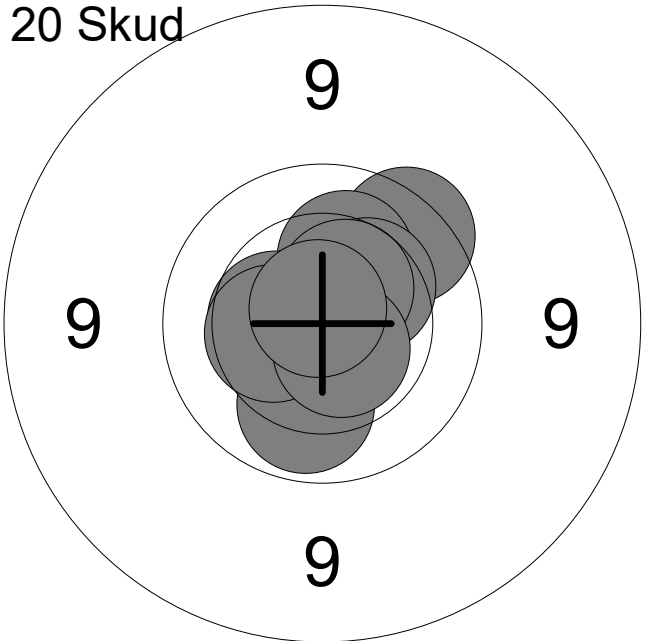
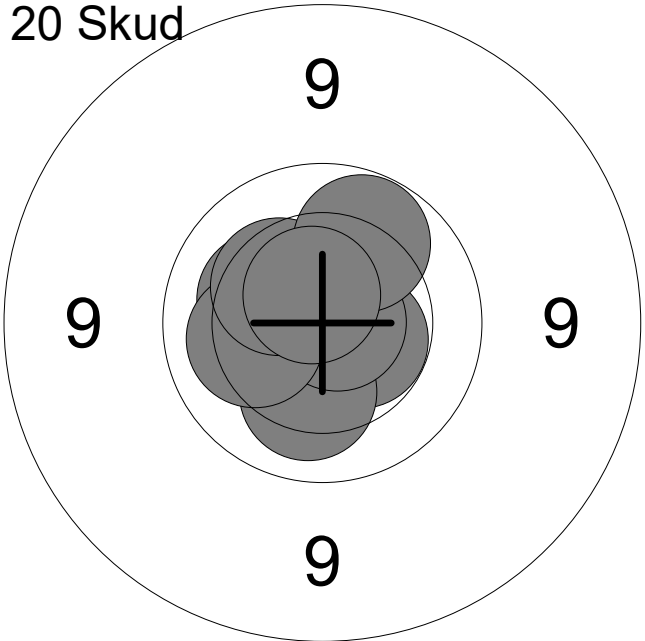


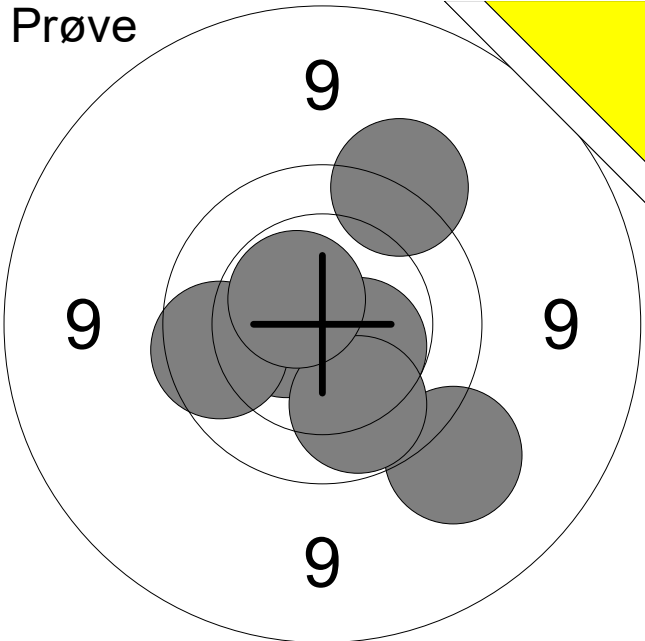
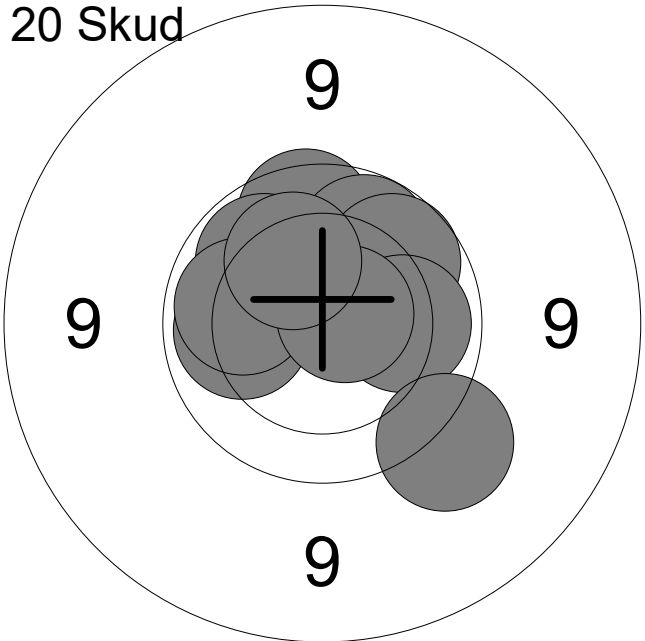
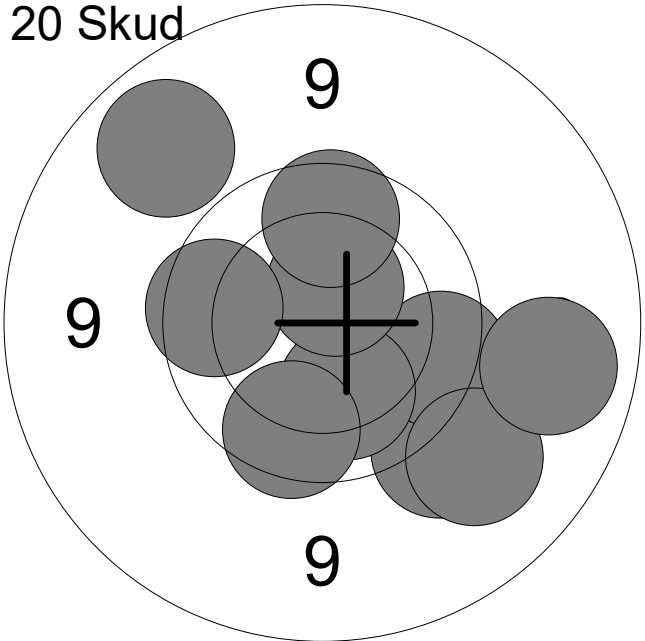
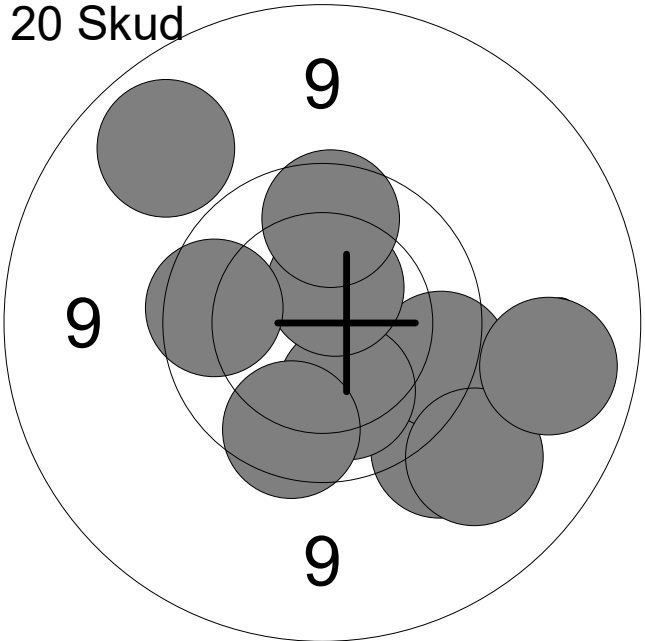
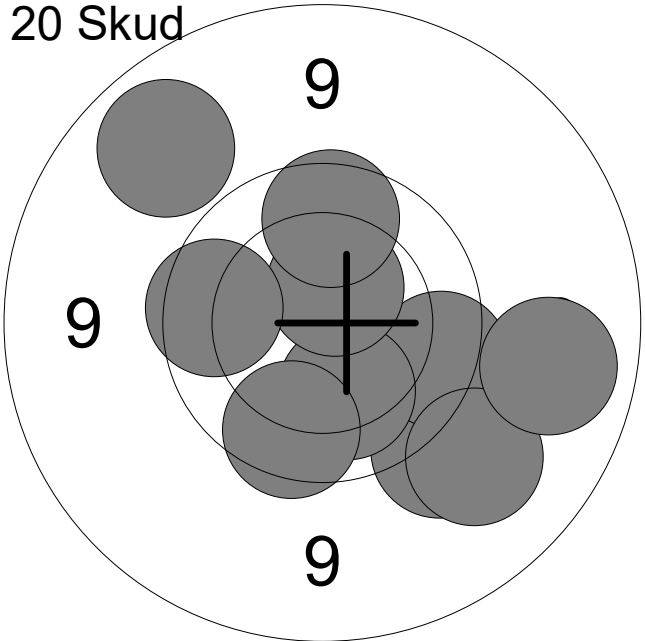
1:	10.6x	↗
2:	10.4	↗
3:	10.7x	→
4:	10.5	↗
5:	10.1	↘
6:	9.9	↗
7:	10.1	↗
8:	10.2	←
9:	10.7x	↘
10:	10.7x	↗
<b>Serie</b>		<b>99 ( 4x)</b>
<b>Total</b>		<b>99 ( 4x)</b>

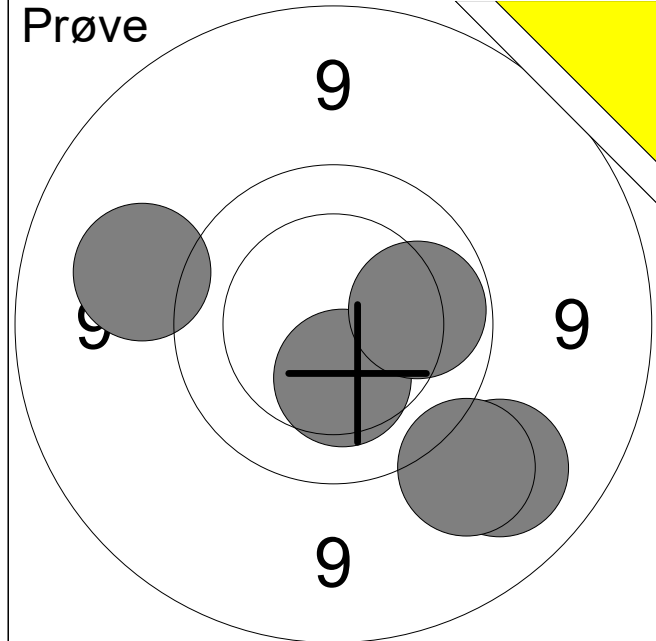


11:	9.9	↘
12:	10.8x	↘
13:	10.4	→
14:	10.5	↘
15:	10.4	↘
16:	10.5	→
17:	10.7x	↗
18:	10.0	↗
19:	10.3	↗
20:	10.4	↗
<b>Serie</b>		<b>99 ( 2x)</b>
<b>Total</b>		<b>198 ( 6x)</b>

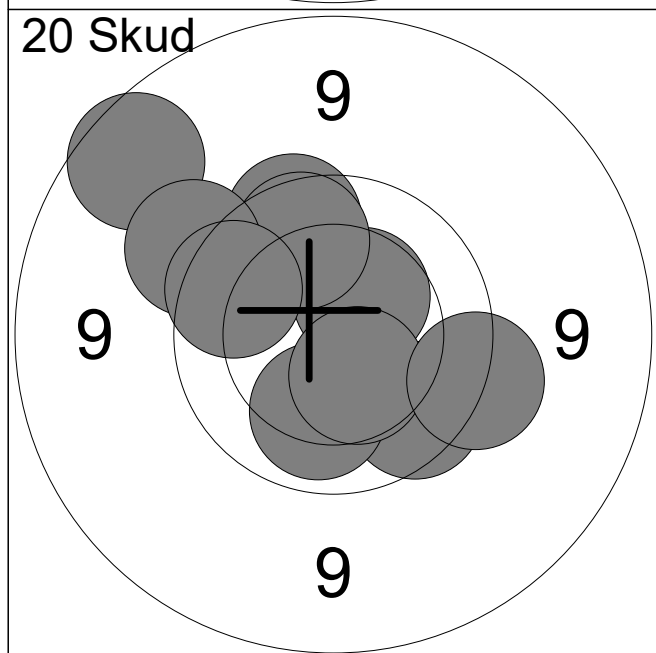
Hold <b>20</b>	Skive <b>1</b>	<b>Benjamin Landman</b>			
ØSF		Kreds 57, Ferslev, Skibby	MJ2		
18.11.2024		Ølstykke Skydningen 2024	Ølstykke skytteforening		
Prøve		1: 9.2 ↘ 2: 9.3 ↓ 3: 9.2 ↓ 4: 9.7 → 5: 10.4 ↓ 6: 9.5 → 7: 10.1 → 8: 9.8 ↙ 9: 9.2 ↘ 10: 9.4 ↙ Serie 92 (0x) Total 0 (0x)	Prøve		11: 10.4 ← 12: 9.5 ↙ 13: 9.7 ↓ 14: 9.4 ← 15: 9.9 ↗ 16: 10.3 → 17: 9.0 ← 18: 9.7 ↗ 19: 10.1 ↘ 20: 9.2 ↙ Serie 93 (0x) Total 0 (0x)
Prøve		21: 8.7 ← 22: 8.8 ← 23: 10.1 ↓ 24: 10.6x → 25: 9.6 ↘ 26: 8.9 ↘ 27: 10.5x → Serie 63 (2x) Total 0 (0x)	20 Skud		1: 9.8 ↘ 2: 10.1 → 3: 9.2 → 4: 9.6 ↗ 5: 10.6x → 6: 10.1 ↗ 7: 9.9 ↗ 8: 9.4 → 9: 10.4 → 10: 10.6x ↗ Serie 95 (2x) Total 95 (2x)
20 Skud		11: 10.4 ↗ 12: 9.9 → 13: 9.9 ↗ 14: 10.7x ↘ 15: 10.6x ↙ 16: 9.0 ← 17: 10.3 ↓ 18: 10.0 ↘ 19: 9.6 → 20: 9.8 ↗ Serie 95 (2x) Total 190 (4x)			

Hold <b>20</b>	Skive <b>2</b>	<b>Amanda Jensen</b>		
ØSF		Kreds 57, Ferslev, Skibby		MJ1
18.11.2024		Ølstykke Skydningen 2024		Ølstykke skytteforening
<b>Prøve</b> 	1:	9.9	↗	
	2:	10.4	↗	
	3:	10.0	←	
	4:	10.3	↓	
	5:	10.0	→	
	6:	10.5x	←	
	7:	10.6x	↖	
	<b>Serie</b>	<b>69 ( 2x)</b>		
	<b>Total</b>	<b>0 ( 0x)</b>		
<b>20 Skud</b> 	1:	9.8	↗	
	2:	10.2	↗	
	3:	10.3	↗	
	4:	10.5	↗	
	5:	10.6x	↓	
	6:	10.4	←	
	7:	10.0	↓	
	8:	10.4	←	
	9:	10.6x	↘	
	10:	10.8x	↑	
	<b>Serie</b>	<b>99 ( 3x)</b>		
	<b>Total</b>	<b>99 ( 3x)</b>		
<b>20 Skud</b> 	11:	10.5x	→	
	12:	10.9x	→	
	13:	10.2	↓	
	14:	10.7x	↗	
	15:	10.3	←	
	16:	10.8x	→	
	17:	10.2	←	
	18:	10.3	↗	
	19:	10.0	↗	
	20:	10.6x	↑	
	<b>Serie</b>	<b>100 ( 5x)</b>		
	<b>Total</b>	<b>199 ( 8x)</b>		

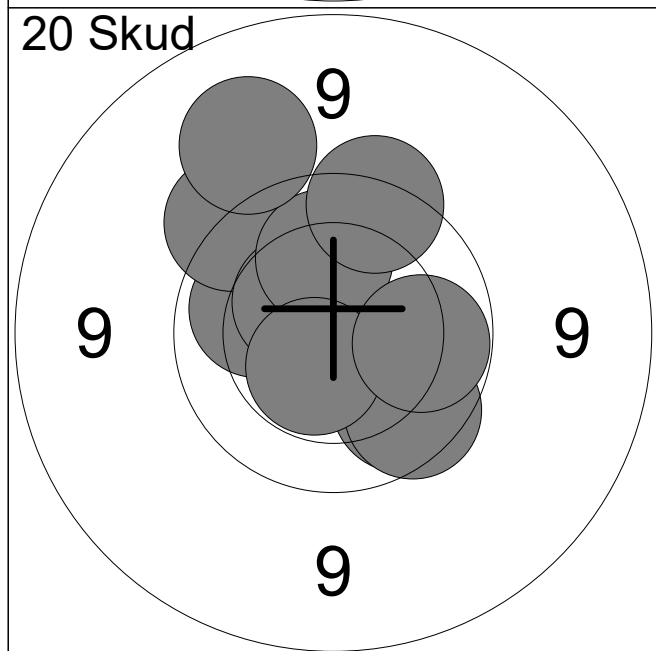
Hold <b>20</b>	Skive <b>4</b>	<b>Ketan Goyal</b>		
ØSF		Ølstykke Skytteforening		MÅ3
18.11.2024		Ølstykke Skydningen 2024		Ølstykke skytteforening
<b>Prøve</b> 		1:	10.5	↘
		2:	10.6x	←
<b>20 Skud</b> 		3:	9.9	←
		4:	9.5	↗
<b>20 Skud</b> 		5:	9.4	↘
		6:	10.0	↗
Serie		67 ( 2x)		
Total		0 ( 0x)		
<b>20 Skud</b> 		7:	9.8	↑
		8:	9.9	↗
Serie		96 ( 1x)		
Total		96 ( 1x)		
<b>20 Skud</b> 		9:	10.0	↗
		10:	10.1	←
Serie		92 ( 1x)		
Total		188 ( 2x)		



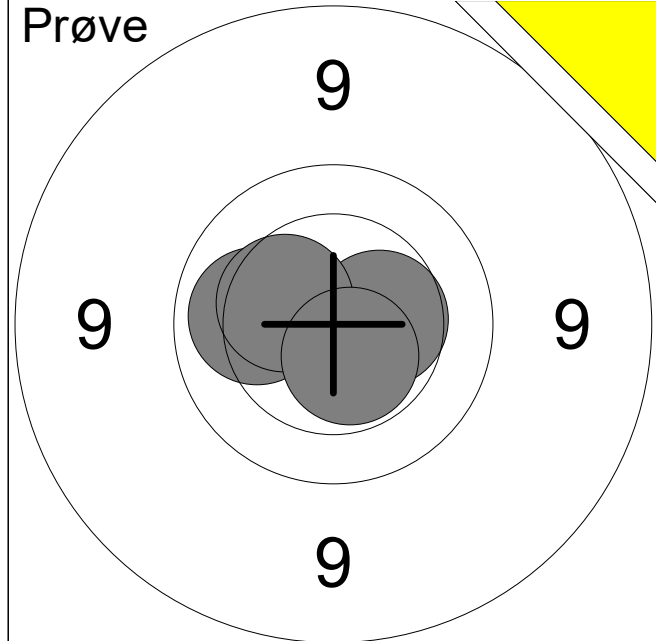
1:	9.1	↘
2:	9.3	←
3:	9.3	↘
4:	10.4	↘
5:	10.0	→
<b>Serie</b>		<b>47 ( 0x)</b>
<b>Total</b>		<b>0 ( 0x)</b>



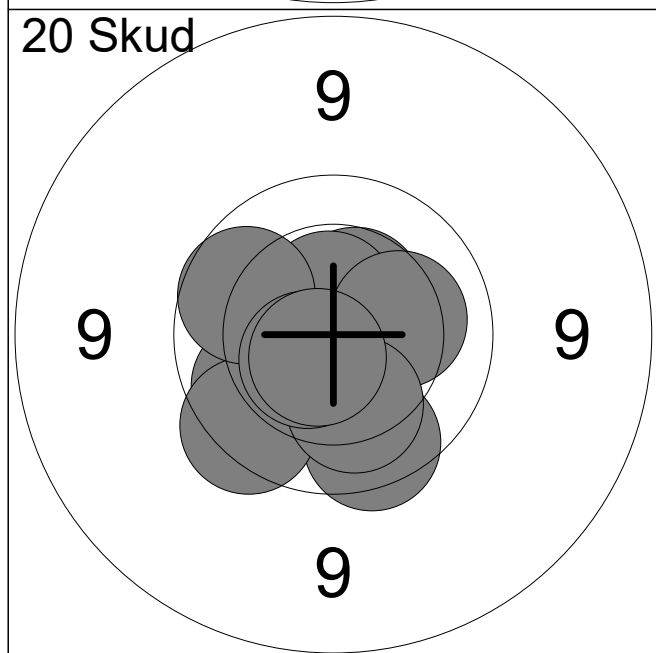
1:	9.8	↘
2:	8.9	↗
3:	10.4	↗
4:	9.8	↗
5:	10.1	↘
6:	10.4	↘
7:	9.6	↘
8:	9.9	↗
9:	9.5	↗
10:	9.8	↗
<b>Serie</b>		<b>92 ( 0x)</b>
<b>Total</b>		<b>92 ( 0x)</b>



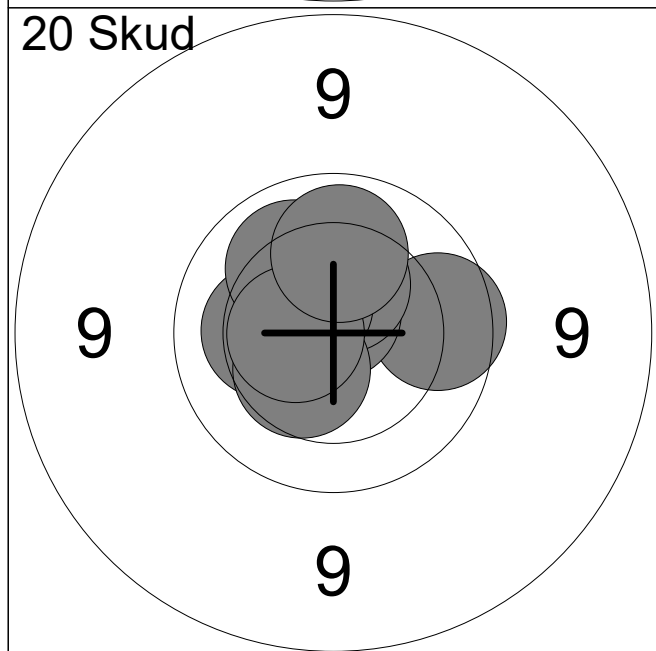
11:	10.1	←
12:	9.6	↗
13:	10.5	↗
14:	10.1	↑
15:	9.9	↘
16:	9.8	↘
17:	10.5x	↘
18:	9.7	↗
19:	9.2	↗
20:	10.0	→
<b>Serie</b>		<b>95 ( 1x)</b>
<b>Total</b>		<b>187 ( 1x)</b>



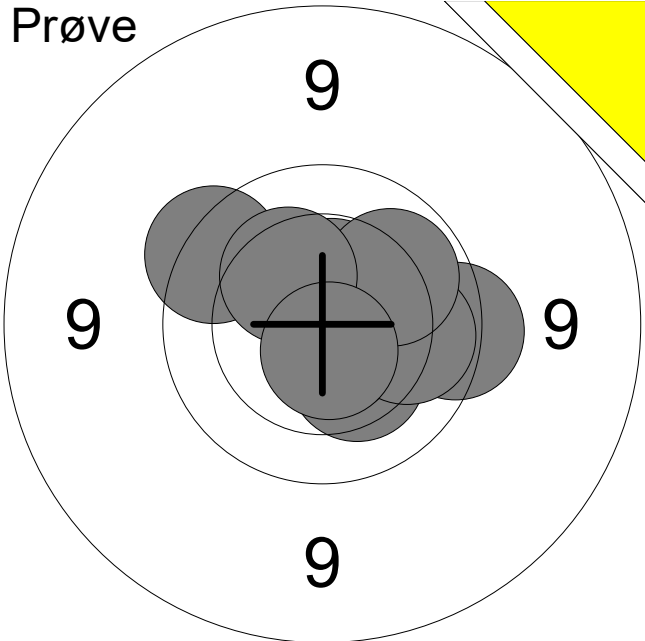
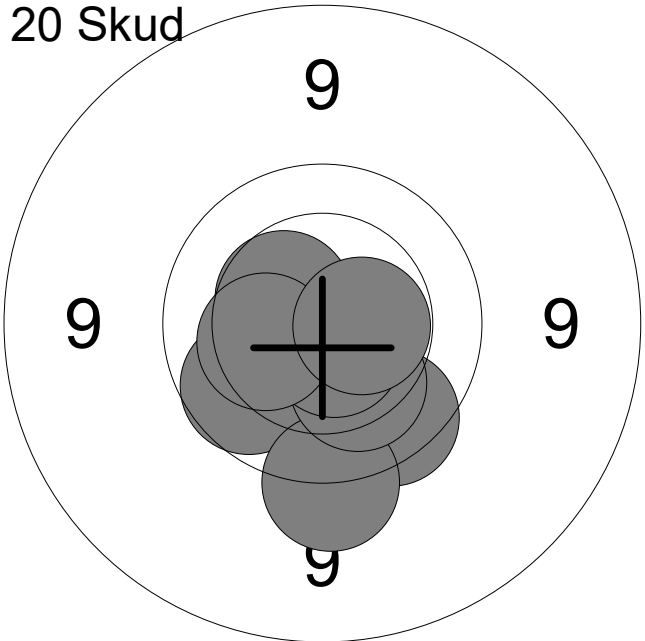
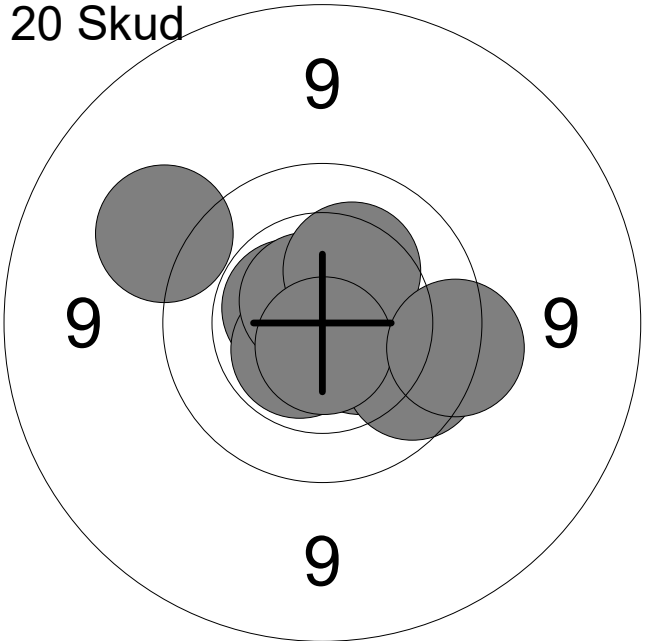
1:	10.1	←
2:	10.4	→
3:	10.4	↖
4:	10.5x	↓
<b>Serie</b>		<b>40 ( 1x)</b>
<b>Total</b>		<b>0 ( 0x)</b>

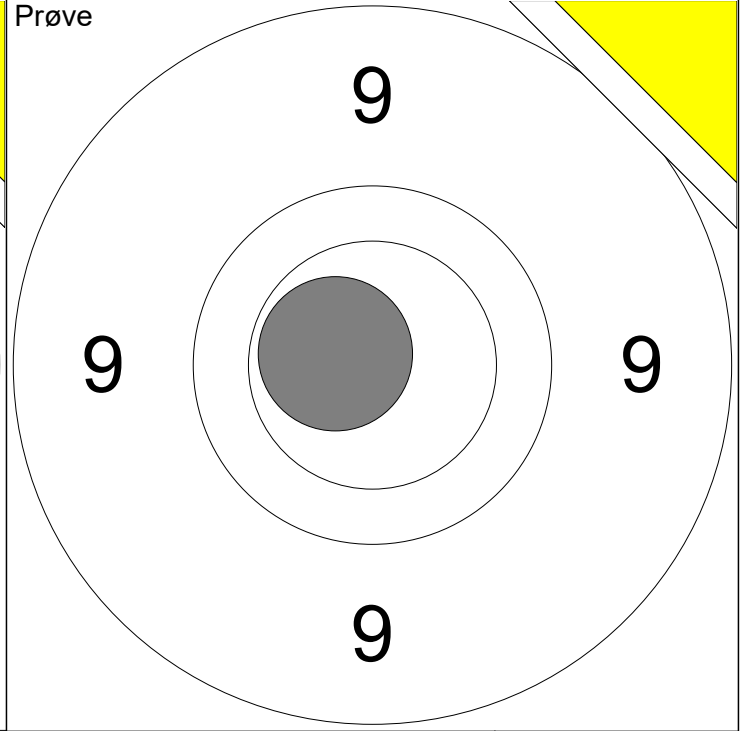
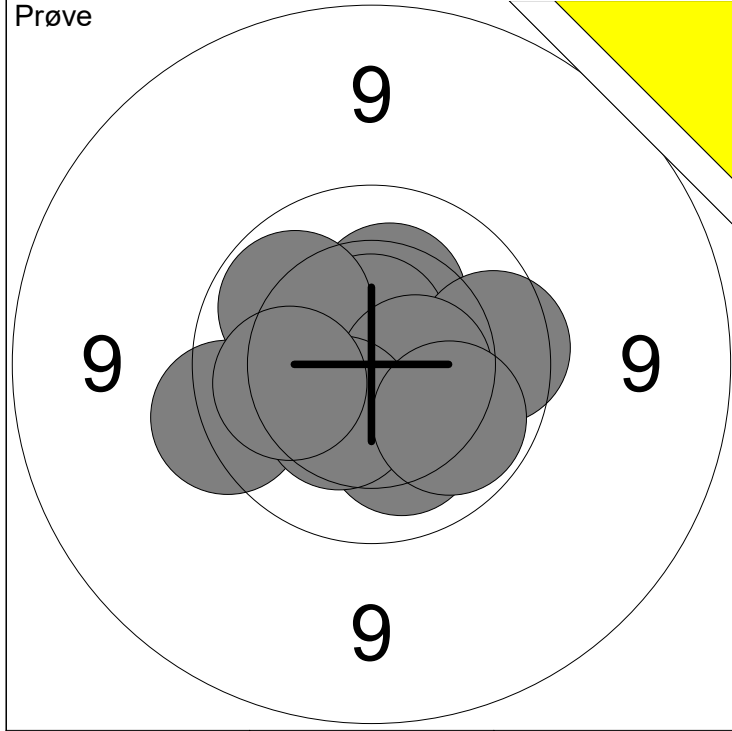


1:	10.0	↙
2:	9.8	↓
3:	10.5	↗
4:	10.6x	↑
5:	9.7	↙
6:	10.2	→
7:	10.1	↓
8:	9.9	↖
9:	10.6x	↙
10:	10.6x	↓
<b>Serie</b>		<b>97 ( 3x)</b>
<b>Total</b>		<b>97 ( 3x)</b>



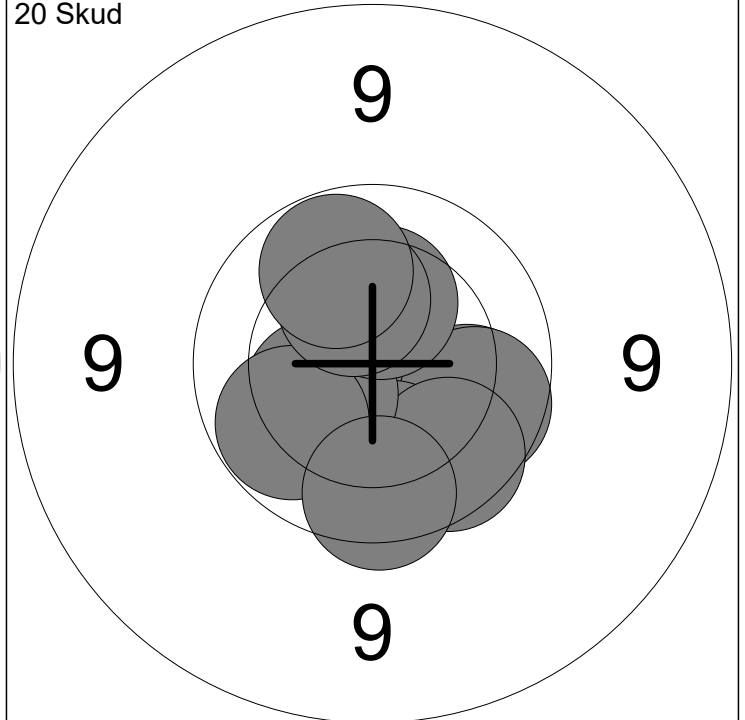
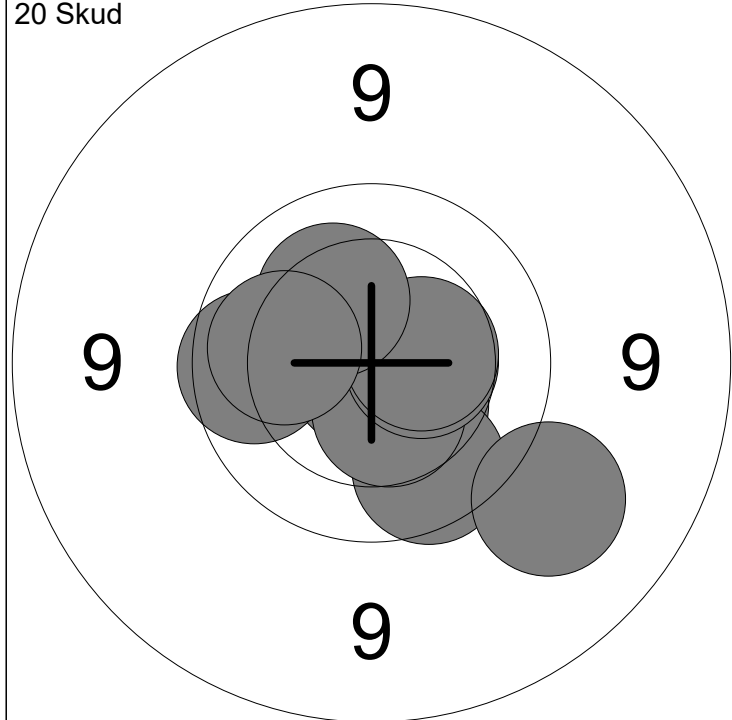
11:	10.5x	↙
12:	9.9	→
13:	10.7x	↑
14:	10.3	←
15:	10.4	↑
16:	10.5	↗
17:	10.1	↗
18:	10.4	↙
19:	10.5x	←
20:	10.1	↑
<b>Serie</b>		<b>99 ( 3x)</b>
<b>Total</b>		<b>196 ( 6x)</b>

Hold <b>20</b>	Skive <b>8</b>	<b>Stefan Misfeldt Kvist-Andersen</b>		
ØSF		Ganløse Skytteforening		MÅ1
18.11.2024		Ølstykke Skydningen 2024		Ølstykke skytteforening
<b>Prøve</b> 		1: 10.3 ↘ 2: 10.7x ↘ 3: 9.7 ↗ 4: 10.5x ↑ 5: 9.7 → 6: 10.0 → 7: 10.0 ↗ 8: 10.3 ↗ 9: 10.6x ↘		
		Serie		88 ( 3x)
		Total		0 ( 0x)
<b>20 Skud</b> 		1: 9.8 ↘ 2: 10.5x ↖ 3: 9.9 ↙ 4: 10.9x ↓ 5: 9.5 ↓ 6: 10.2 ↓ 7: 10.6x ↓ 8: 10.4 ↗ 9: 10.3 ← 10: 10.5x →		
		Serie		97 ( 4x)
		Total		97 ( 4x)
<b>20 Skud</b> 		11: 10.5 ↘ 12: 9.9 ↘ 13: 10.6x ↗ 14: 9.4 ↗ 15: 10.6x ↗ 16: 10.6x ↙ 17: 10.7x ↗ 18: 10.3 ↗ 19: 10.7x ↓ 20: 9.7 →		
		Serie		97 ( 5x)
		Total		194 ( 9x)



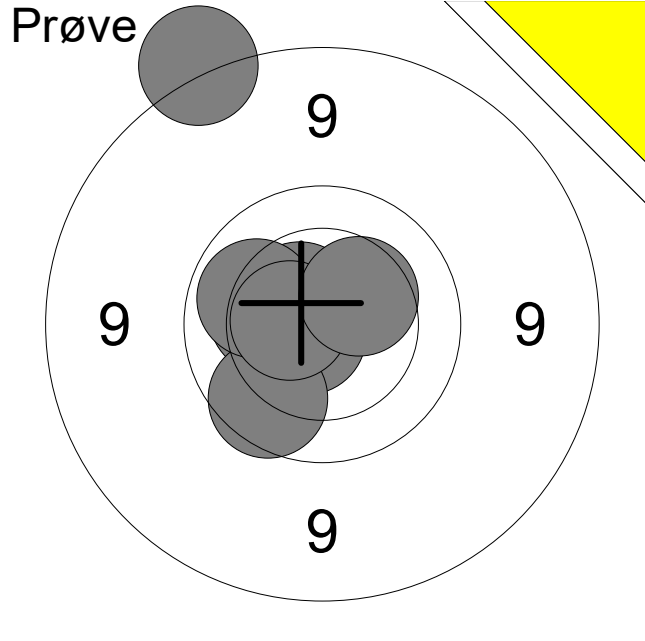
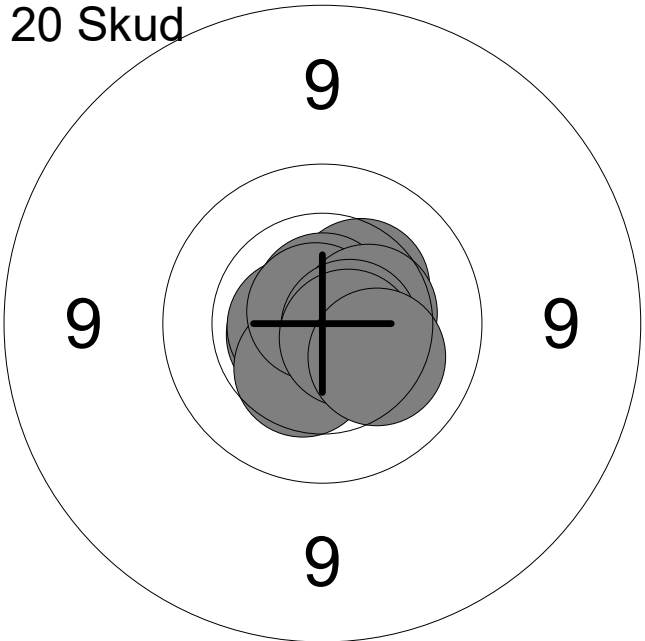
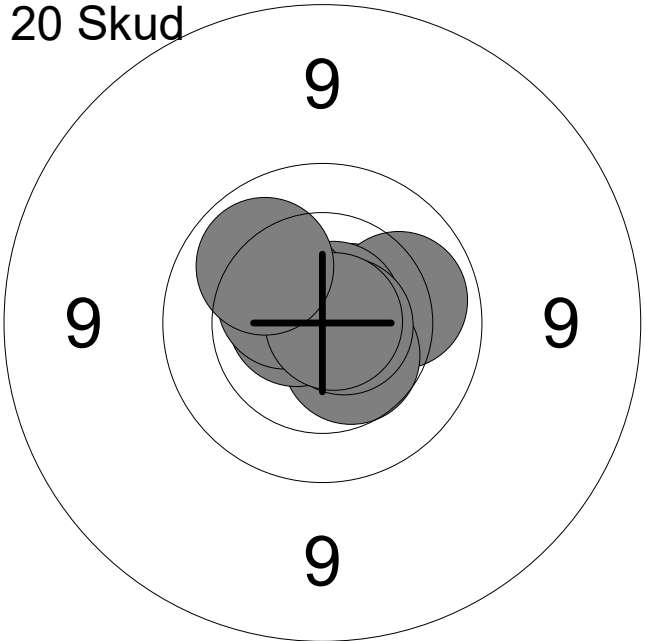
1: 10.3 ↑	6: 10.2 ↓	Serie	98 ( 2x)
2: 10.6x ↑	7: 10.5x →		
3: 9.8 →	8: 10.4 ↓	Total	0 ( 0x)
4: 10.0 ↖	9: 10.1 ←		
5: 9.7 ←	10: 10.0 ↘		

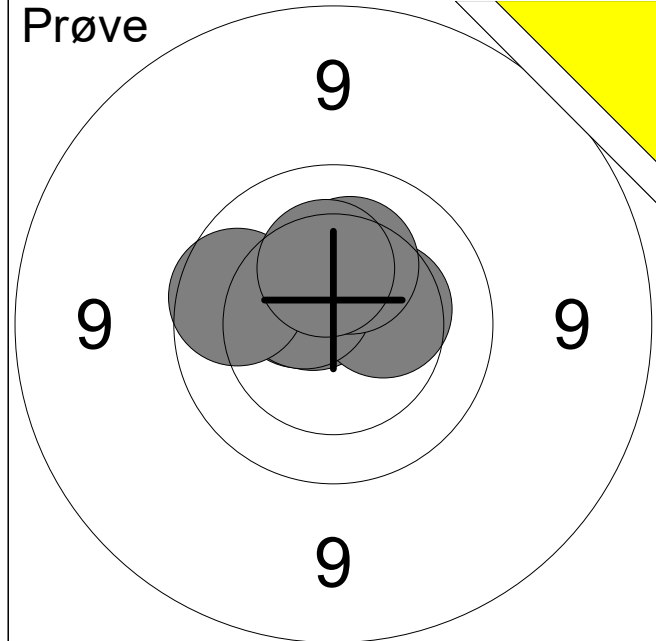
11: 10.6x ←	Serie	10 ( 1x)
	Total	0 ( 0x)



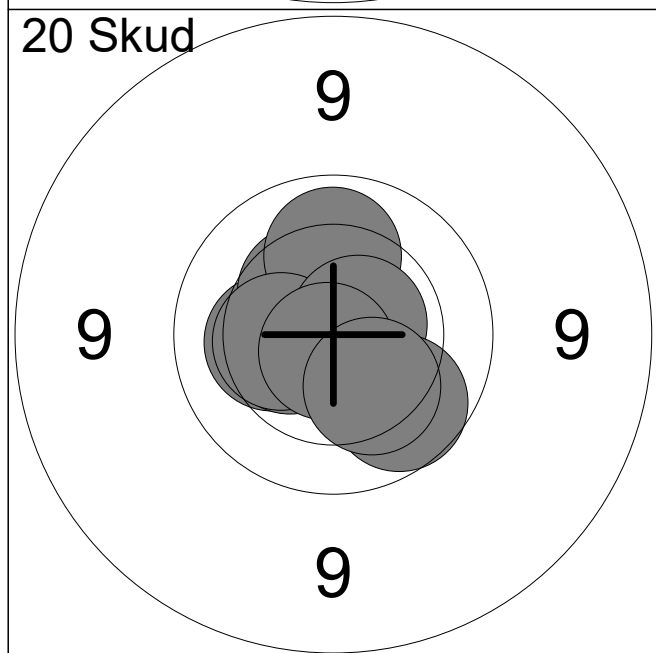
1: 10.4 ↓	6: 10.5 →	Serie	97 ( 1x)
2: 9.9 ↓	7: 9.9 ←		
3: 10.8x ↓	8: 10.5 →	Total	97 ( 1x)
4: 9.3 ↓	9: 10.2 ↗		
5: 10.5 ↓	10: 10.1 ←		

11: 10.0 →	16: 10.0 ←	Serie	97 ( 0x)
12: 9.9 →	17: 9.8 ↓		
13: 10.0 ↓	18: 10.3 ↑	Total	194 ( 1x)
14: 9.9 ↓	19: 10.3 ↑		
15: 10.4 ←	20: 10.0 ↗		

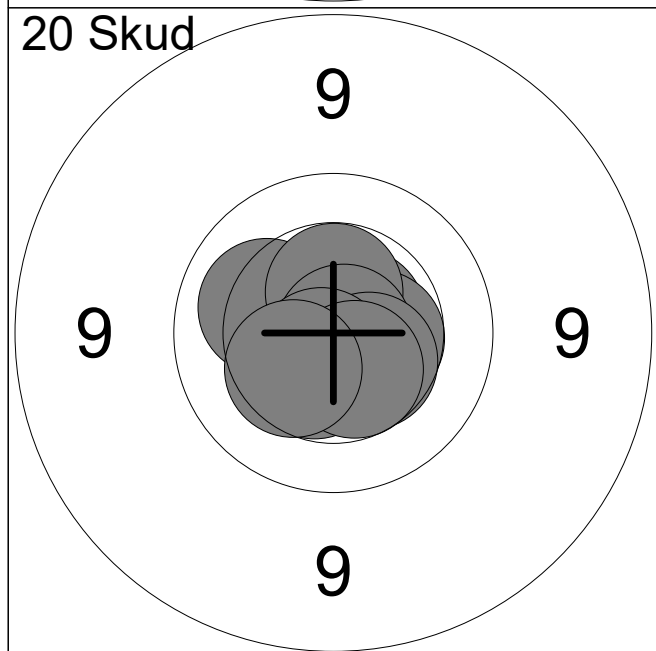
Hold <b>21</b>	Skive <b>3</b>	<b>Selma Theilade</b>		
ØSF		Skyttelaugget Kgs. Lyngby		J1
18.11.2024		Ølstykke Skydningen 2024		Ølstykke skytteforening
<b>Prøve</b> 	1:	8.6	↗	
	2:	10.5x	↗	
	3:	10.7x	↖	
	4:	10.3	↖	
	5:	9.9	↘	
	6:	10.1	↖	
	7:	10.5x	↖	
	8:	10.4	↗	
	<b>Serie</b>	<b>77 ( 3x)</b>		
	<b>Total</b>	<b>0 ( 0x)</b>		
<b>20 Skud</b> 	1:	10.6x	↖	
	2:	10.7x	↖	
	3:	10.4	↗	
	4:	10.4	↘	
	5:	10.7x	↑	
	6:	10.8x	↗	
	7:	10.4	→	
	8:	10.6x	→	
	9:	10.6x	↘	
	10:	10.2	↘	
	<b>Serie</b>	<b>100 ( 6x)</b>		
	<b>Total</b>	<b>100 ( 6x)</b>		
<b>20 Skud</b> 	11:	10.6x	→	
	12:	10.8x	→	
	13:	10.1	→	
	14:	10.5	↘	
	15:	10.7x	↖	
	16:	10.8x	↗	
	17:	10.7x	→	
	18:	10.5	↗	
	19:	10.8x	→	
	20:	10.1	↗	
	<b>Serie</b>	<b>100 ( 6x)</b>		
	<b>Total</b>	<b>200 ( 12x)</b>		



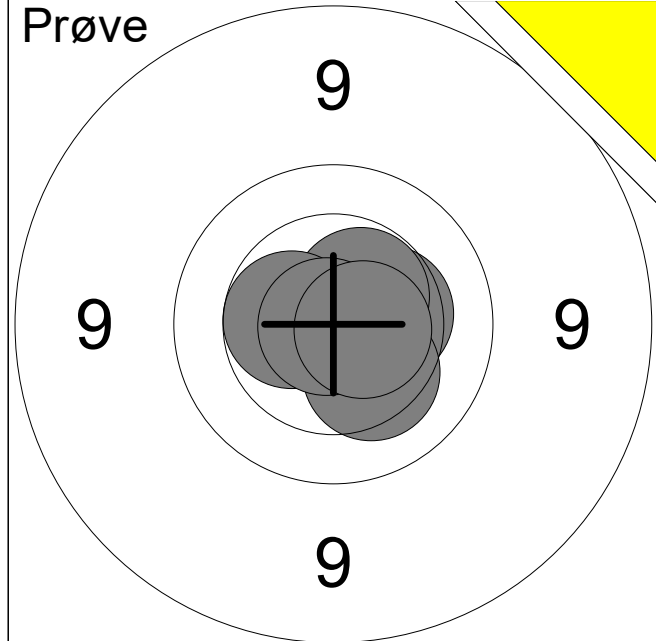
1:	10.6x	↗
2:	10.4	→
3:	10.5x	↗
4:	10.5x	↗
5:	10.3	↑
6:	9.9	←
7:	10.3	↑
<b>Serie</b>		<b>69 ( 3x)</b>
<b>Total</b>		<b>0 ( 0x)</b>



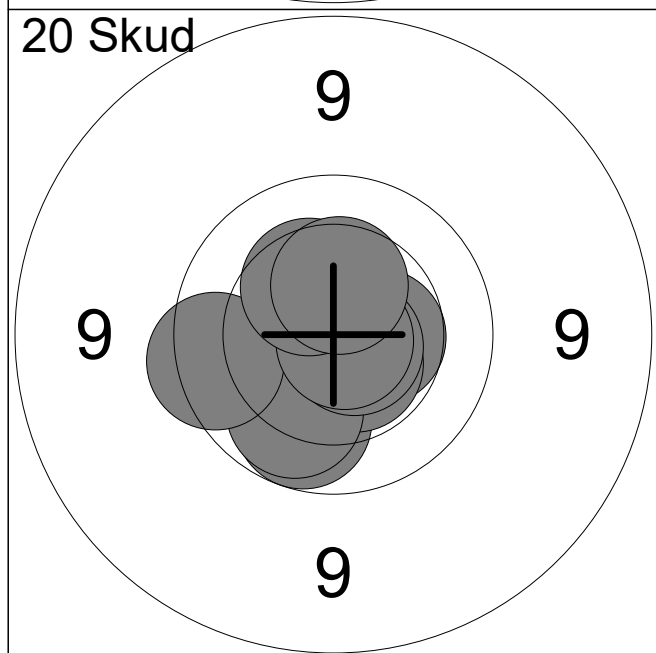
1:	10.3	←
2:	10.4	↗
3:	10.9x	↘
4:	10.5	←
5:	10.1	↑
6:	10.4	←
7:	10.7x	↗
8:	10.8x	↘
9:	9.9	↘
10:	10.2	↘
<b>Serie</b>		<b>99 ( 3x)</b>
<b>Total</b>		<b>99 ( 3x)</b>



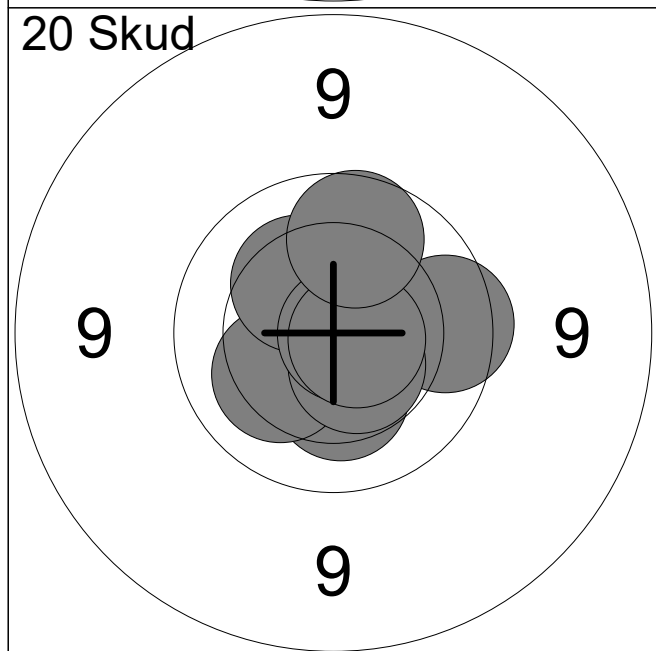
11:	10.6x	↗
12:	10.2	←
13:	10.5	→
14:	10.5x	↑
15:	10.8x	→
16:	10.5x	↘
17:	10.5	↘
18:	10.7x	↘
19:	10.5	↘
20:	10.4	↘
<b>Serie</b>		<b>100 ( 5x)</b>
<b>Total</b>		<b>199 ( 8x)</b>



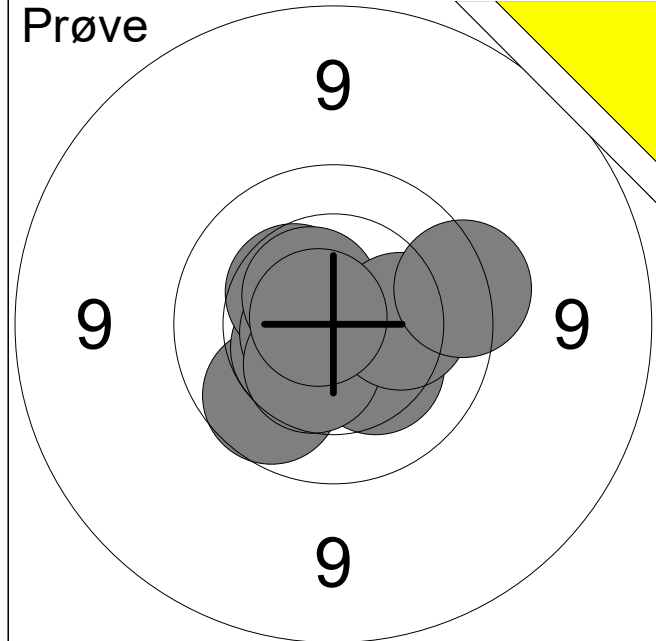
1:	10.4	→
2:	10.3	↓
3:	10.5x	↗
4:	10.5	←
5:	10.9x	←
6:	10.6x	→
<b>Serie</b>		<b>60 ( 3x)</b>
<b>Total</b>		<b>0 ( 0x)</b>



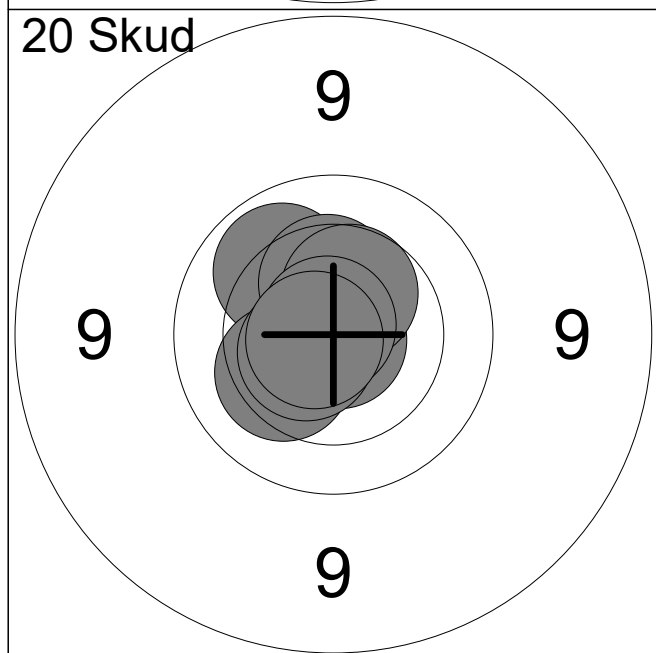
1:	9.9	↓
2:	10.7x	→
3:	10.5	→
4:	10.6x	↓
5:	10.0	↓
6:	9.8	←
7:	10.7x	↓
8:	10.8x	↘
9:	10.4	↗
10:	10.4	↑
<b>Serie</b>		<b>98 ( 4x)</b>
<b>Total</b>		<b>98 ( 4x)</b>



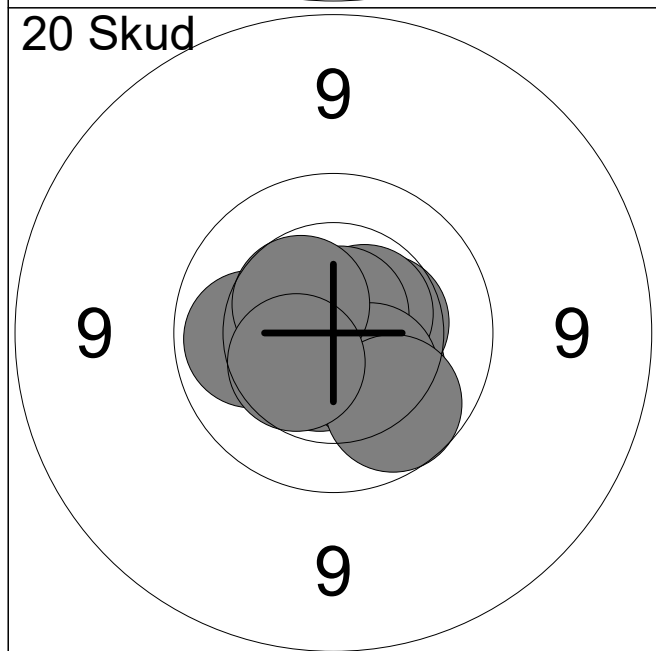
11:	10.6x	↗
12:	10.5	↑
13:	10.3	↓
14:	9.8	→
15:	10.2	←
16:	10.5x	↓
17:	10.3	↗
18:	10.8x	→
19:	10.7x	→
20:	9.9	↑
<b>Serie</b>		<b>98 ( 4x)</b>
<b>Total</b>		<b>196 ( 8x)</b>



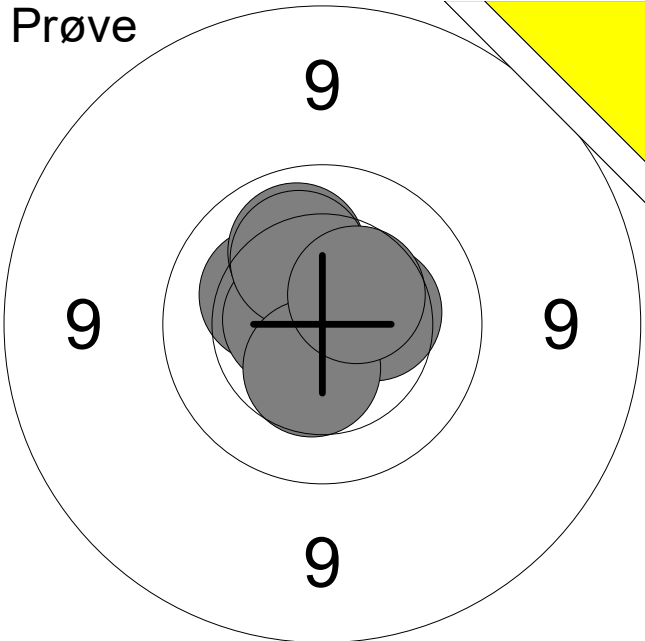
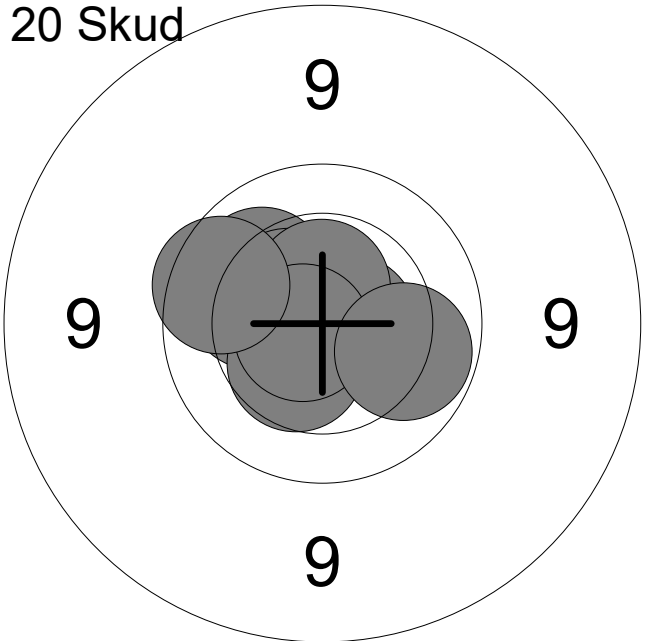
1:	9.9	↘
2:	10.5x	↙
3:	10.4	↗
4:	10.7x	↖
5:	10.3	↘
6:	10.6x	↗
7:	10.5	↘
8:	10.2	→
9:	9.7	→
10:	10.8x	↖
<b>Serie</b>		<b>98 ( 4x)</b>
<b>Total</b>		<b>0 ( 0x)</b>

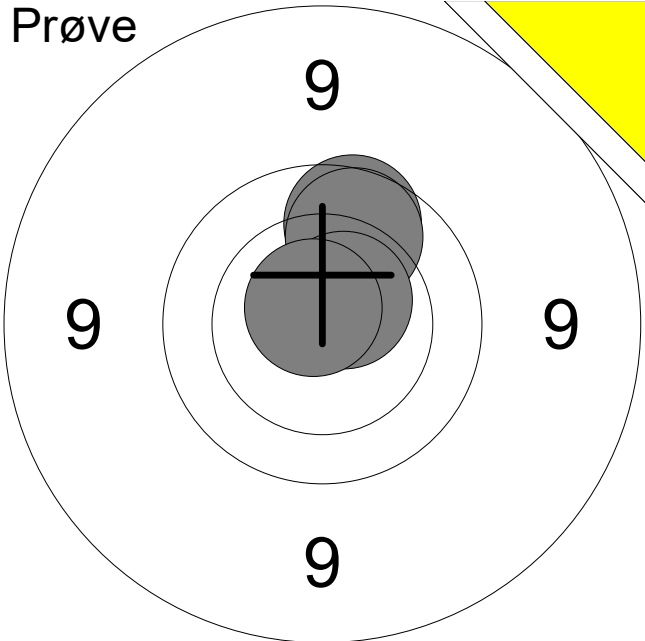
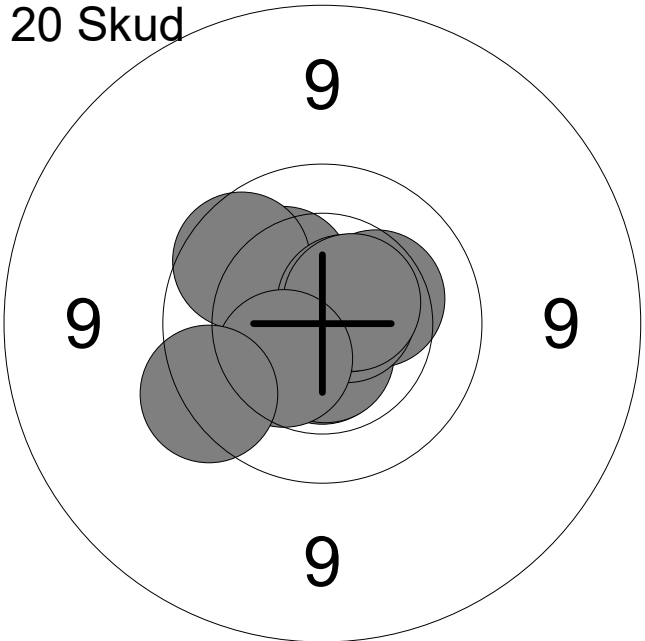
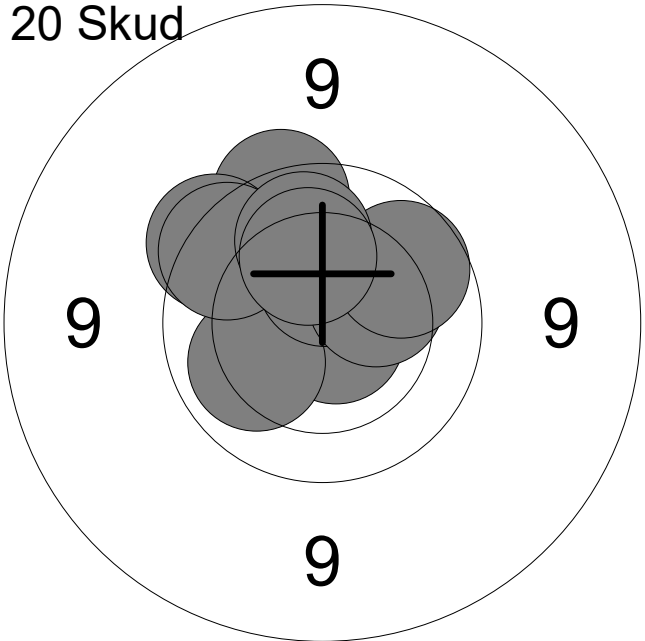


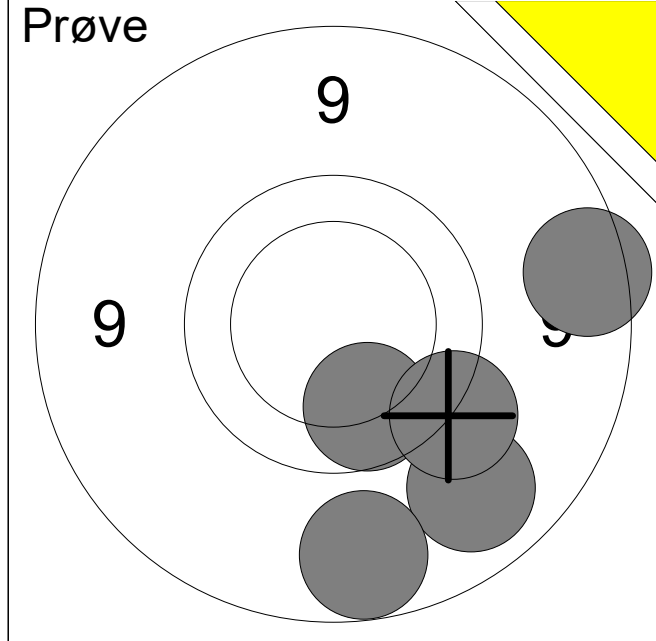
1:	10.9x	↘
2:	10.6x	↖
3:	10.1	↗
4:	10.3	↙
5:	10.6x	↙
6:	10.7x	↗
7:	10.4	↗
8:	10.5	↗
9:	10.8x	↗
10:	10.7x	↖
<b>Serie</b>		<b>100 ( 6x)</b>
<b>Total</b>		<b>100 ( 6x)</b>



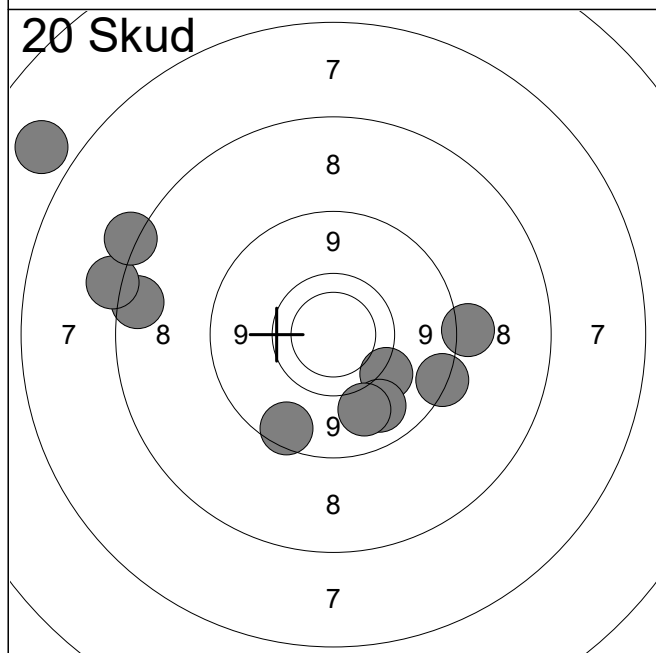
11:	10.3	↘
12:	10.4	→
13:	10.5x	↗
14:	10.6x	↘
15:	10.7x	↗
16:	10.1	↖
17:	10.4	↘
18:	9.9	↘
19:	10.5	↗
20:	10.4	↘
<b>Serie</b>		<b>99 ( 3x)</b>
<b>Total</b>		<b>199 ( 9x)</b>

Hold <b>21</b>	Skive <b>9</b>	<b>Marcus Elleroed Hansen</b>		
ØSF		Ganløse Skytteforening		MJ1
18.11.2024		Ølstykke Skydningen 2024		Ølstykke skytteforening
<b>Prøve</b> 		1: 10.3 ↗ 2: 10.8x ↗ 3: 10.1 ↗ 4: 10.6x ← 5: 10.2 ↗ 6: 10.4 → 7: 10.5 ↓ 8: 10.5 ↗	Serie 80 ( 2x) Total 0 ( 0x)	
<b>20 Skud</b> 		1: 10.7x → 2: 10.2 ← 3: 10.5x ← 4: 10.1 ↗ 5: 10.4 ↘ 6: 10.5 ↗ 7: 10.6x ↑ 8: 10.7x ← 9: 9.8 ← 10: 10.0 →	Serie 99 ( 4x) Total 99 ( 4x)	
<b>20 Skud</b> 		11: 10.3 ↑ 12: 10.5x ← 13: 10.5 ↑ 14: 10.0 ← 15: 10.4 ← 16: 10.1 ← 17: 10.1 ↗ 18: 10.3 ↑ 19: 10.0 ← 20: 10.6x ↓	Serie 100 ( 2x) Total 199 ( 6x)	

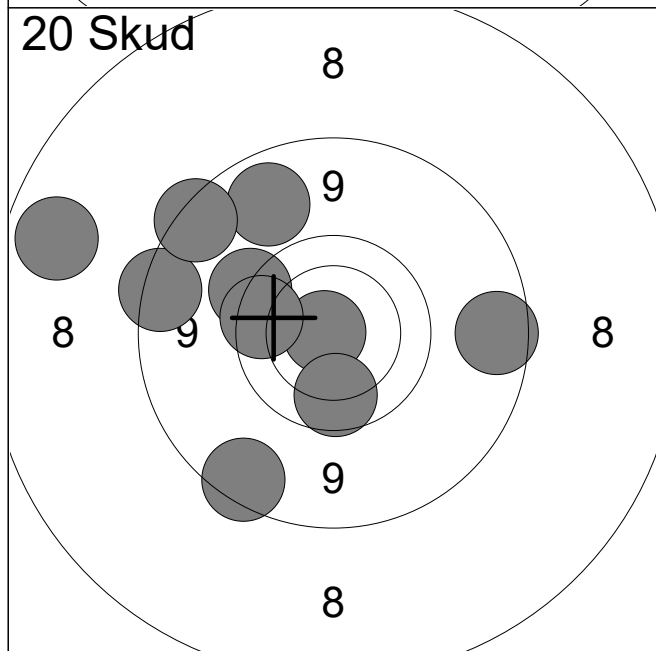
Hold <b>21</b>	Skive <b>10</b>	<b>Jonatan Bekö</b>																																
ØSF		Ølstykke Skytteforening		BK4																														
18.11.2024		Ølstykke Skydningen 2024		Ølstykke skytteforening																														
<b>Prøve</b>		<table border="0"> <tr><td>1:</td><td>9.9</td><td>↗</td></tr> <tr><td>2:</td><td>9.9</td><td>↗</td></tr> <tr><td>3:</td><td>10.6x</td><td>↗</td></tr> <tr><td>4:</td><td>10.7x</td><td>↖</td></tr> </table>			1:	9.9	↗	2:	9.9	↗	3:	10.6x	↗	4:	10.7x	↖																		
1:	9.9	↗																																
2:	9.9	↗																																
3:	10.6x	↗																																
4:	10.7x	↖																																
		Serie		38 ( 2x)																														
		Total		0 ( 0x)																														
<b>20 Skud</b>		<table border="0"> <tr><td>1:</td><td>10.6x</td><td>↓</td></tr> <tr><td>2:</td><td>10.6x</td><td>↓</td></tr> <tr><td>3:</td><td>10.3</td><td>↗</td></tr> <tr><td>4:</td><td>9.9</td><td>↗</td></tr> <tr><td>5:</td><td>10.3</td><td>→</td></tr> <tr><td>6:</td><td>10.7x</td><td>→</td></tr> <tr><td>7:</td><td>10.6x</td><td>↗</td></tr> <tr><td>8:</td><td>10.6x</td><td>↗</td></tr> <tr><td>9:</td><td>10.4</td><td>↙</td></tr> <tr><td>10:</td><td>9.7</td><td>↙</td></tr> </table>			1:	10.6x	↓	2:	10.6x	↓	3:	10.3	↗	4:	9.9	↗	5:	10.3	→	6:	10.7x	→	7:	10.6x	↗	8:	10.6x	↗	9:	10.4	↙	10:	9.7	↙
1:	10.6x	↓																																
2:	10.6x	↓																																
3:	10.3	↗																																
4:	9.9	↗																																
5:	10.3	→																																
6:	10.7x	→																																
7:	10.6x	↗																																
8:	10.6x	↗																																
9:	10.4	↙																																
10:	9.7	↙																																
		Serie		98 ( 5x)																														
		Total		98 ( 5x)																														
<b>20 Skud</b>		<table border="0"> <tr><td>11:</td><td>9.7</td><td>↗</td></tr> <tr><td>12:</td><td>10.7x</td><td>↘</td></tr> <tr><td>13:</td><td>9.7</td><td>↗</td></tr> <tr><td>14:</td><td>10.1</td><td>↙</td></tr> <tr><td>15:</td><td>9.8</td><td>↗</td></tr> <tr><td>16:</td><td>10.4</td><td>↑</td></tr> <tr><td>17:</td><td>10.3</td><td>→</td></tr> <tr><td>18:</td><td>9.9</td><td>↗</td></tr> <tr><td>19:</td><td>10.0</td><td>↑</td></tr> <tr><td>20:</td><td>10.2</td><td>↑</td></tr> </table>			11:	9.7	↗	12:	10.7x	↘	13:	9.7	↗	14:	10.1	↙	15:	9.8	↗	16:	10.4	↑	17:	10.3	→	18:	9.9	↗	19:	10.0	↑	20:	10.2	↑
11:	9.7	↗																																
12:	10.7x	↘																																
13:	9.7	↗																																
14:	10.1	↙																																
15:	9.8	↗																																
16:	10.4	↑																																
17:	10.3	→																																
18:	9.9	↗																																
19:	10.0	↑																																
20:	10.2	↑																																
		Serie		96 ( 1x)																														
		Total		194 ( 6x)																														



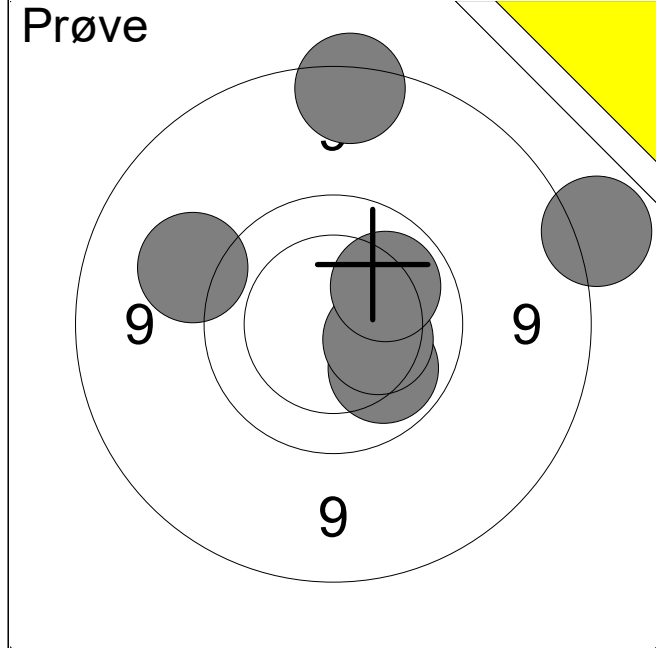
1:	8.8	→
2:	9.9	↓
3:	9.1	↓
4:	9.5	↓
5:	9.0	↓
<b>Serie</b>		<b>44 ( 0x)</b>
<b>Total</b>		<b>0 ( 0x)</b>



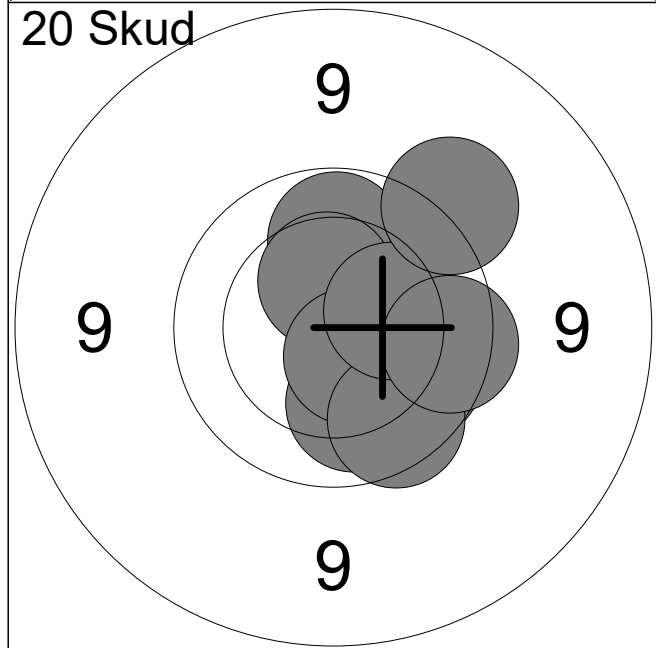
1:	8.7	↘
2:	8.5	→
3:	9.4	↓
4:	9.1	↓
5:	6.3	↗
6:	7.9	←
7:	9.2	↓
8:	7.6	←
9:	8.9	↓
10:	7.6	↖
<b>Serie</b>		<b>78 ( 0x)</b>
<b>Total</b>		<b>78 ( 0x)</b>



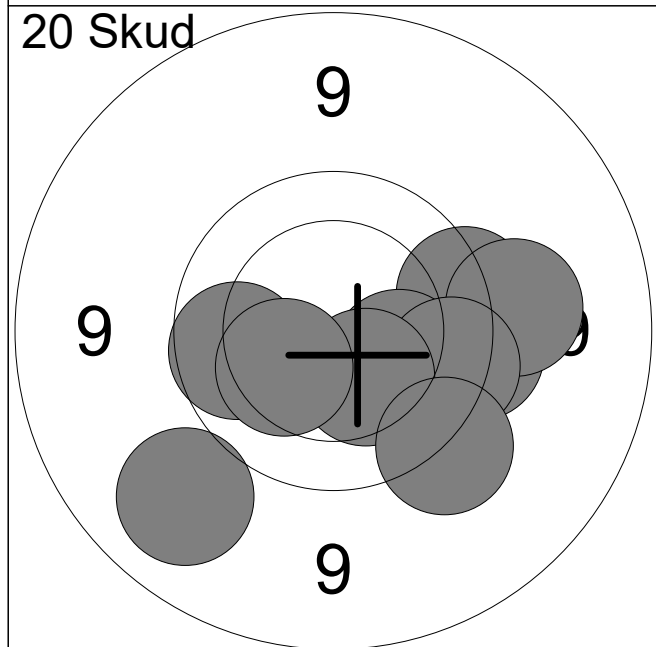
11:	9.6	↖
12:	8.0	←
13:	8.9	→
14:	9.0	↗
15:	8.8	←
16:	8.8	↗
17:	8.8	↓
18:	10.8x	←
19:	9.8	←
20:	9.9	↓
<b>Serie</b>		<b>86 ( 1x)</b>
<b>Total</b>		<b>164 ( 1x)</b>



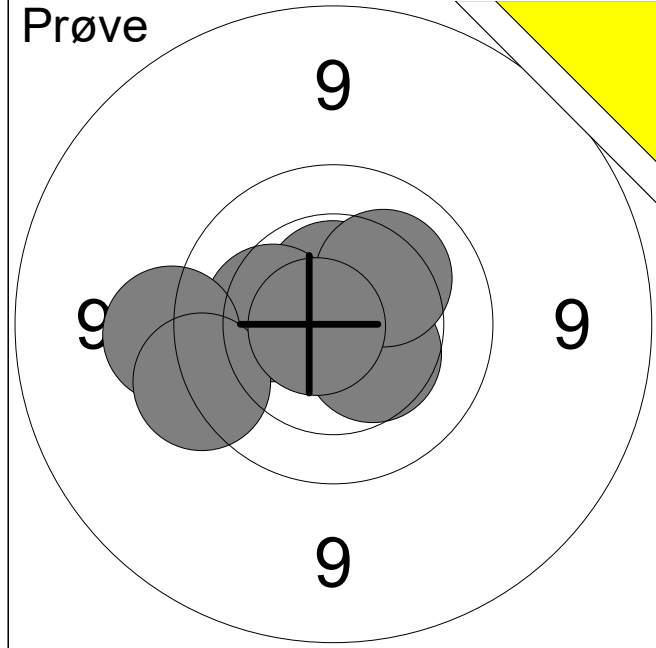
1:	10.0	↘
2:	9.3	↖
3:	10.3	↗
4:	8.8	↑
5:	8.6	→
6:	10.1	↗
<b>Serie</b>		<b>55 ( 0x)</b>
<b>Total</b>		<b>0 ( 0x)</b>



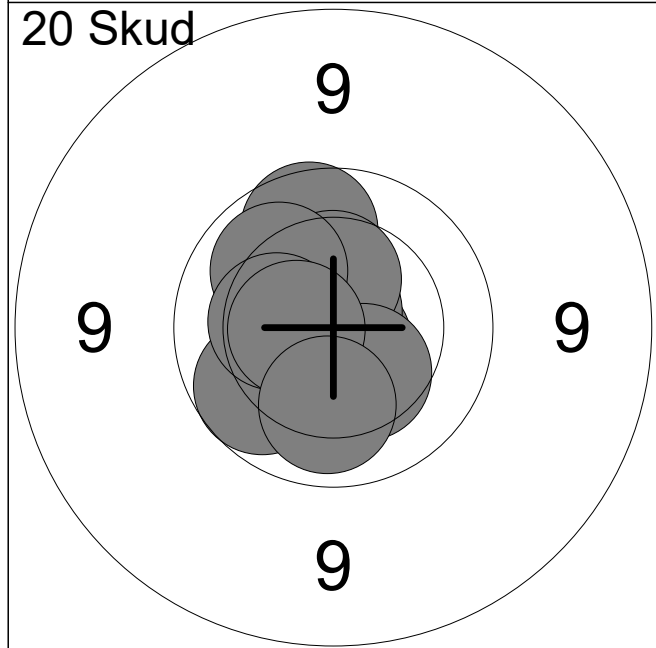
1:	10.1	↓
2:	10.0	↑
3:	9.9	↘
4:	10.4	↑
5:	9.9	→
6:	10.6x	↘
7:	9.8	↘
8:	10.3	→
9:	9.8	→
10:	9.5	↗
<b>Serie</b>		<b>95 ( 1x)</b>
<b>Total</b>		<b>95 ( 1x)</b>



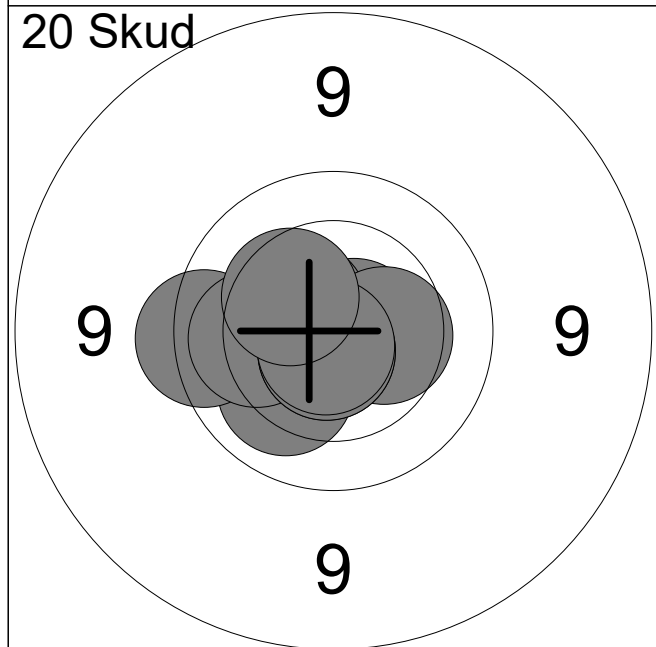
11:	9.6	→
12:	9.9	←
13:	9.7	→
14:	10.2	↘
15:	9.4	→
16:	9.1	↘
17:	9.7	→
18:	10.3	↘
19:	10.3	←
20:	9.5	↘
<b>Serie</b>		<b>93 ( 0x)</b>
<b>Total</b>		<b>188 ( 1x)</b>



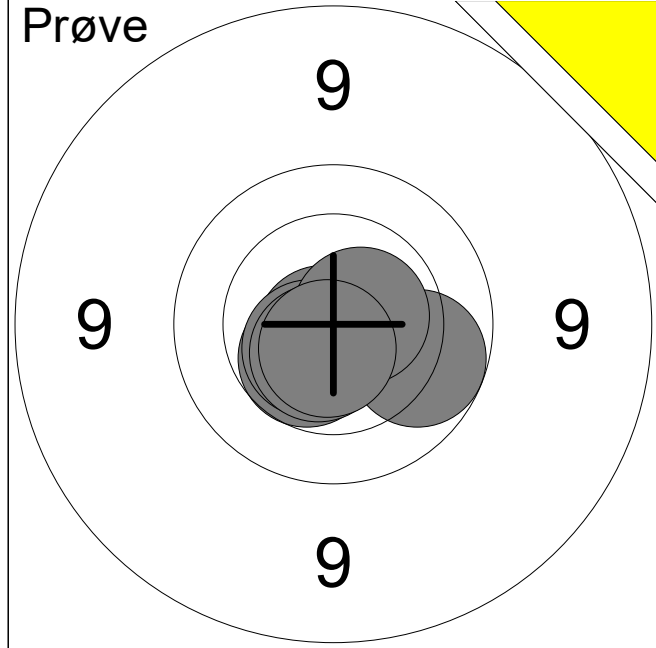
1:	10.4	↘
2:	10.6x	↑
3:	10.3	←
4:	9.5	←
5:	9.6	←
6:	10.2	↗
7:	10.8x	←
<b>Serie</b>		<b>68 ( 2x)</b>
<b>Total</b>		<b>0 ( 0x)</b>



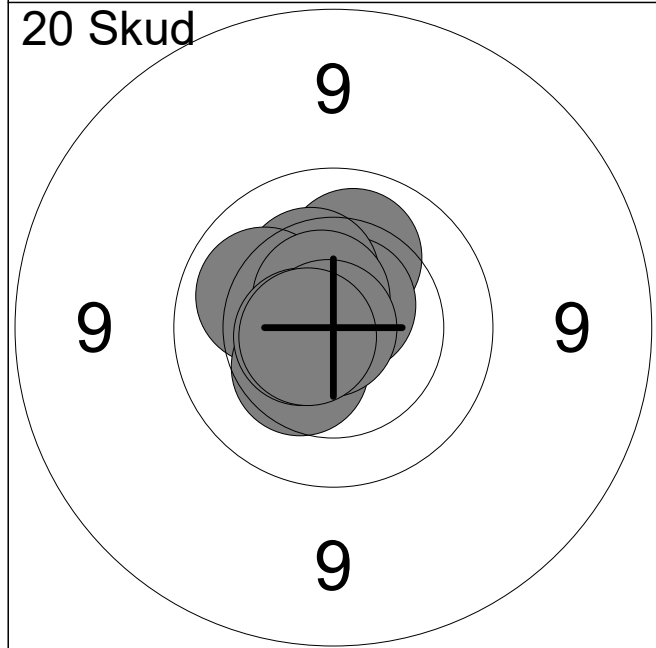
1:	10.7x	↘
2:	9.9	↑
3:	10.8x	↑
4:	10.4	↑
5:	9.9	↙
6:	10.4	↘
7:	10.1	↗
8:	10.3	←
9:	10.5x	←
10:	10.1	↓
<b>Serie</b>		<b>98 ( 3x)</b>
<b>Total</b>		<b>98 ( 3x)</b>



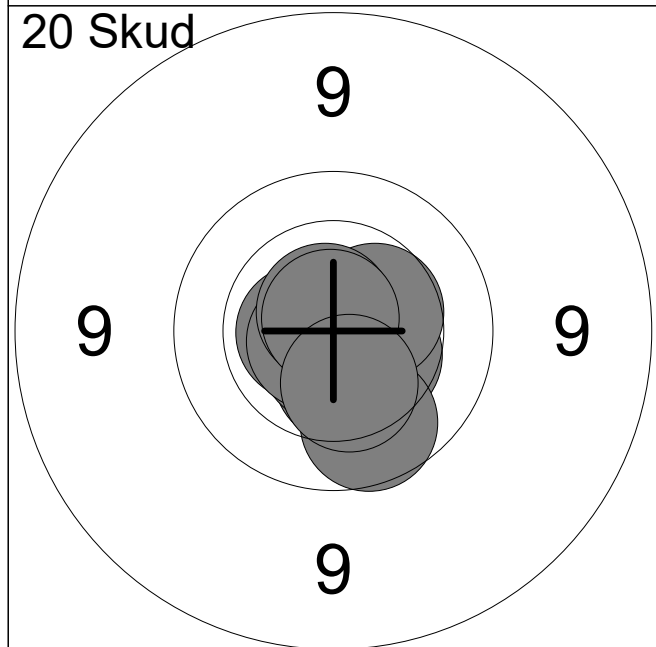
11:	10.7x	→
12:	10.5x	↖
13:	10.1	↙
14:	9.7	←
15:	10.4	→
16:	10.1	←
17:	10.7x	↓
18:	10.7x	↓
19:	10.8x	↙
20:	10.3	↖
<b>Serie</b>		<b>99 ( 5x)</b>
<b>Total</b>		<b>197 ( 8x)</b>



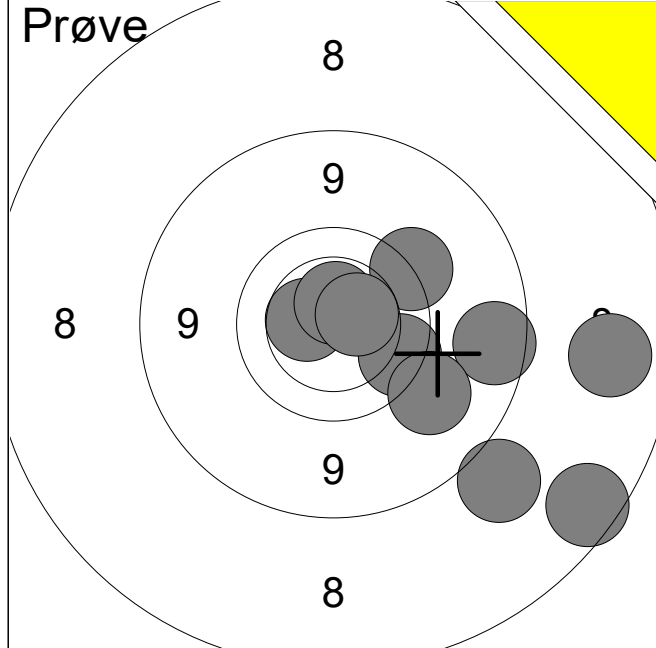
1:	10.8x	↙
2:	10.5	↙
3:	10.5x	→
4:	9.9	→
5:	10.6x	↙
6:	10.6x	→
7:	10.6x	↙
8:	10.7x	↙
<b>Serie</b>		<b>79 ( 6x)</b>
<b>Total</b>		<b>0 ( 0x)</b>



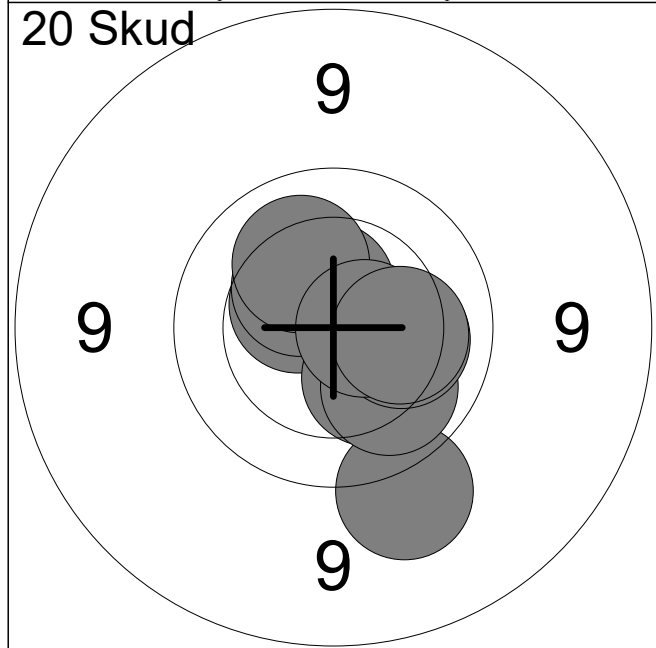
1:	10.2	↖
2:	10.1	↑
3:	10.7x	↗
4:	10.3	↑
5:	10.1	↖
6:	10.6x	↑
7:	10.4	↙
8:	10.6x	↖
9:	10.9x	↖
10:	10.6x	↖
<b>Serie</b>		<b>100 ( 5x)</b>
<b>Total</b>		<b>100 ( 5x)</b>



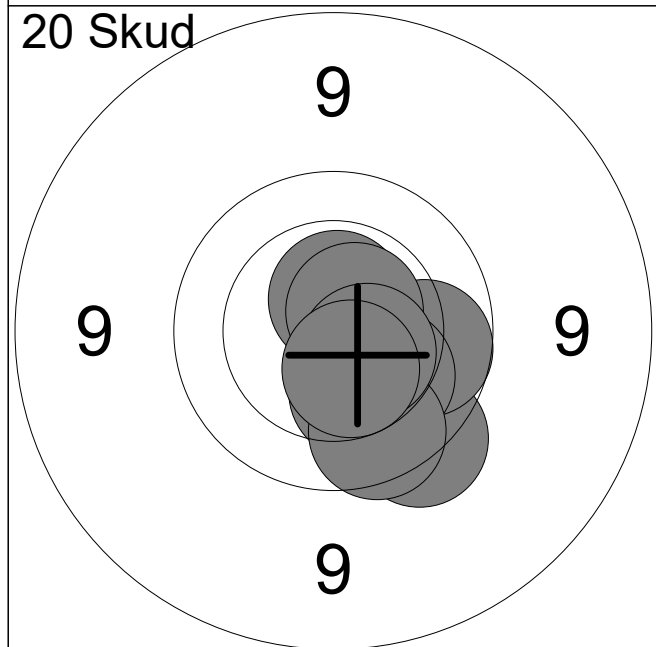
11:	10.4	↘
12:	10.5	↙
13:	9.9	↙
14:	10.6x	↖
15:	10.5	→
16:	10.7x	↙
17:	10.7x	↖
18:	10.7x	↑
19:	10.8x	↑
20:	10.4	↙
<b>Serie</b>		<b>99 ( 5x)</b>
<b>Total</b>		<b>199 (10x)</b>



1:	8.4	↘
2:	7.9	↘
3:	8.1	→
4:	8.9	→
5:	9.8	↘
6:	9.3	↘
7:	10.5	←
8:	9.5	↗
9:	10.6x	↑
10:	10.5	→
<b>Serie</b>		<b>88 ( 1x)</b>
<b>Total</b>		<b>0 ( 0x)</b>

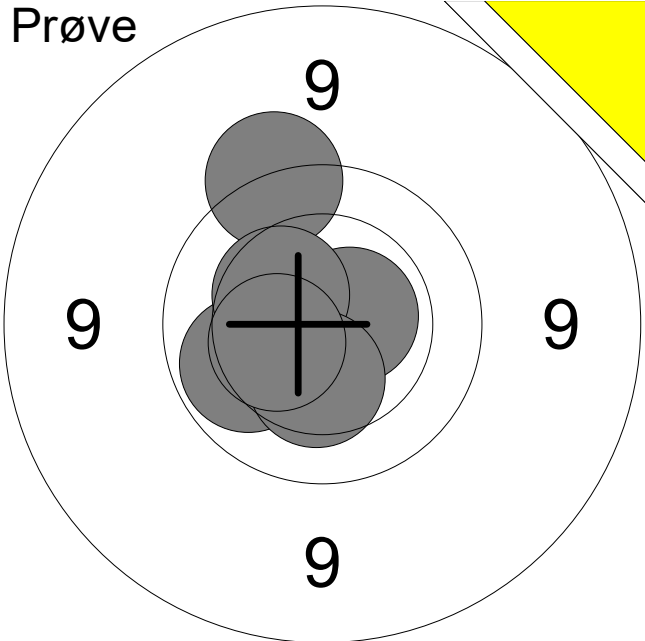


1:	10.5x	↑
2:	10.5	↗
3:	10.3	↘
4:	9.4	↘
5:	10.1	↘
6:	10.2	→
7:	10.4	↗
8:	10.2	↗
9:	10.6x	→
10:	10.2	→
<b>Serie</b>		<b>99 ( 2x)</b>
<b>Total</b>		<b>99 ( 2x)</b>



11:	9.7	↘
12:	9.9	→
13:	10.2	↘
14:	10.4	↘
15:	10.6x	↑
16:	10.2	↘
17:	10.6x	↗
18:	9.8	↘
19:	10.5x	↘
20:	10.5x	↘
<b>Serie</b>		<b>97 ( 4x)</b>
<b>Total</b>		<b>196 ( 6x)</b>

**Prøve**

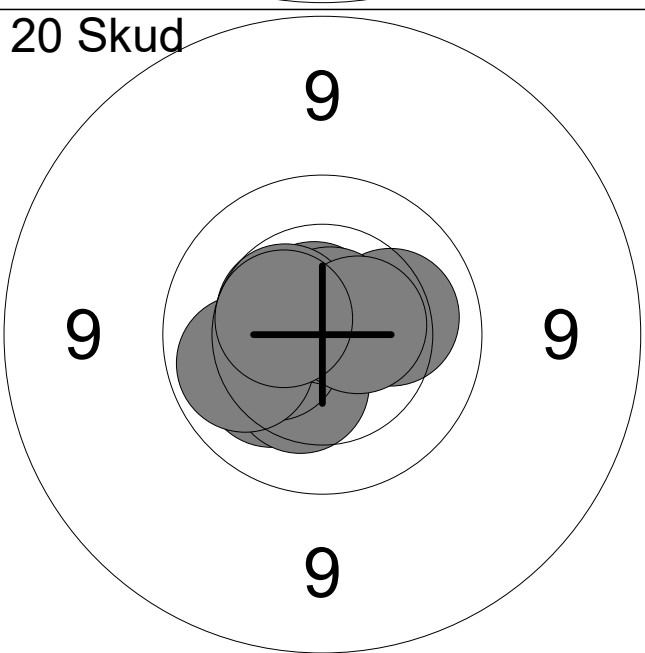


1:	9.6	↑
2:	10.0	←
3:	10.6x	→
4:	10.4	↖
5:	10.3	↓
6:	10.4	←

Serie 59 ( 1x)

Total 0 ( 0x)

**20 Skud**

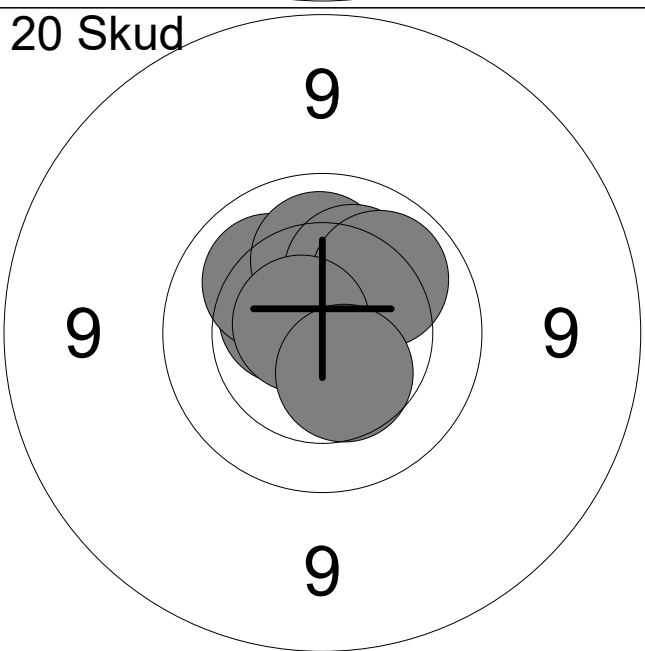


1:	10.2	→
2:	10.2	↙
3:	10.3	↓
4:	10.4	←
5:	10.7x	↑
6:	10.7x	↑
7:	10.5	↖
8:	10.0	←
9:	10.5x	→
10:	10.5	←

Serie 100 ( 3x)

Total 100 ( 3x)

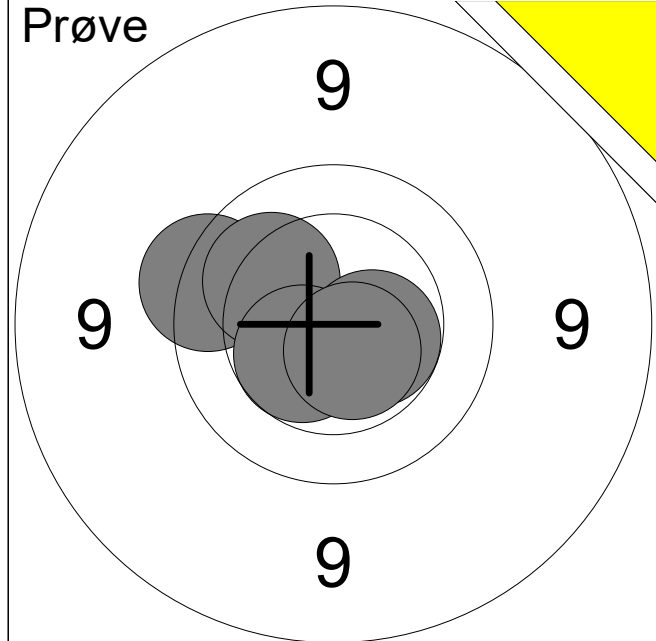
**20 Skud**



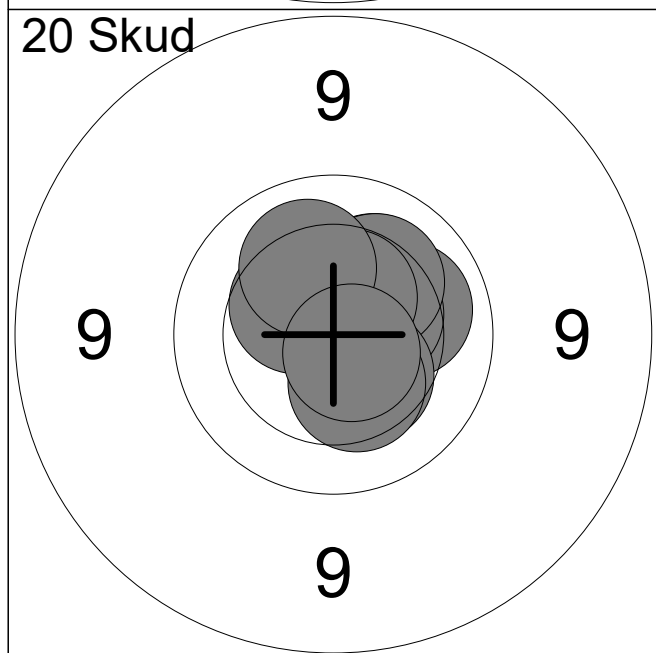
11:	10.3	↑
12:	10.8x	↑
13:	10.8x	↗
14:	10.5x	↖
15:	10.2	↖
16:	10.1	↑
17:	10.2	↗
18:	10.1	↗
19:	10.7x	←
20:	10.4	↓

Serie 100 ( 4x)

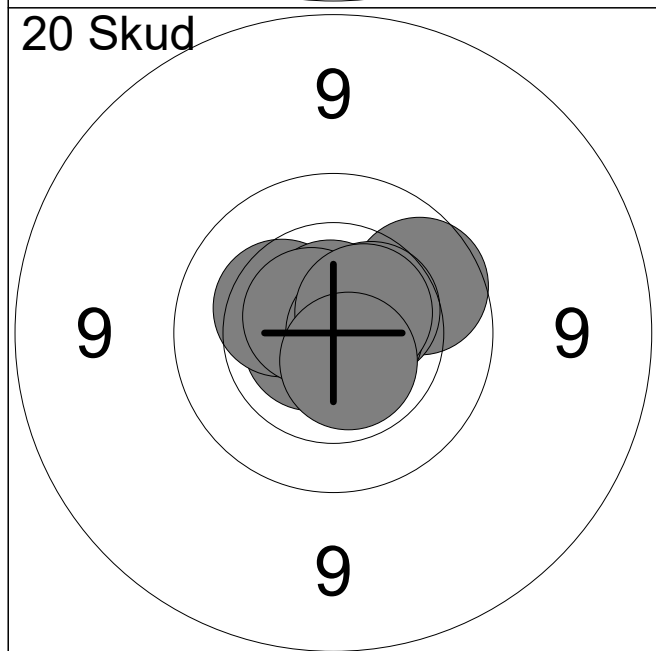
Total 200 ( 7x)



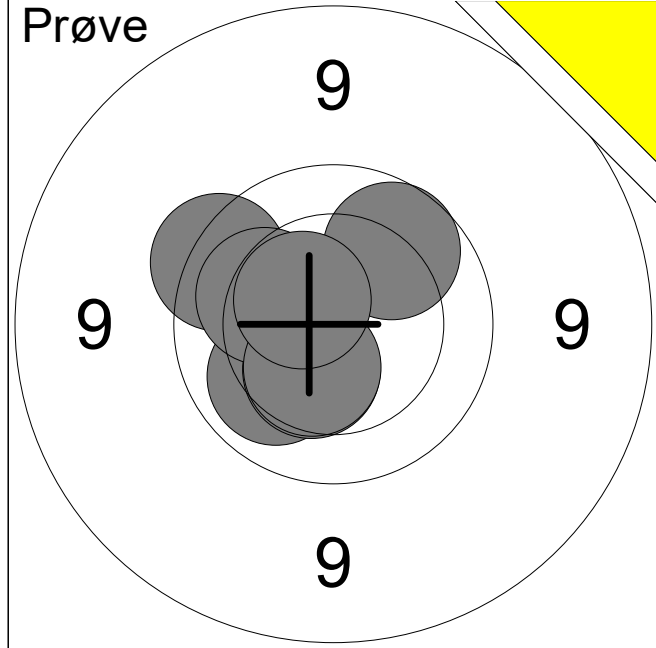
1:	9.7	←
2:	10.1	↗
3:	10.5	↘
4:	10.5x	→
5:	10.6x	↘
<b>Serie</b>		<b>49 ( 2x)</b>
<b>Total</b>		<b>0 ( 0x)</b>



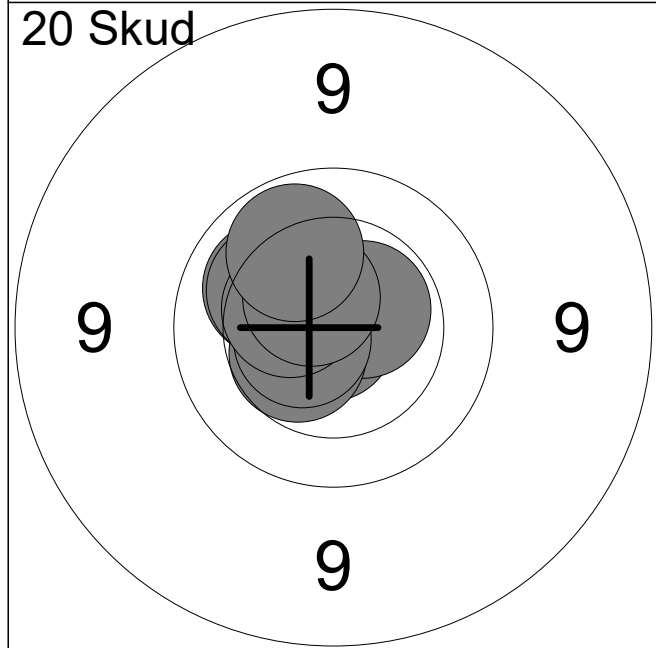
1:	10.1	→
2:	10.4	↗
3:	10.2	↗
4:	10.2	↗
5:	10.4	↘
6:	10.4	↗
7:	10.5x	↗
8:	10.2	↗
9:	10.4	↘
10:	10.7x	↘
<b>Serie</b>		<b>100 ( 2x)</b>
<b>Total</b>		<b>100 ( 2x)</b>



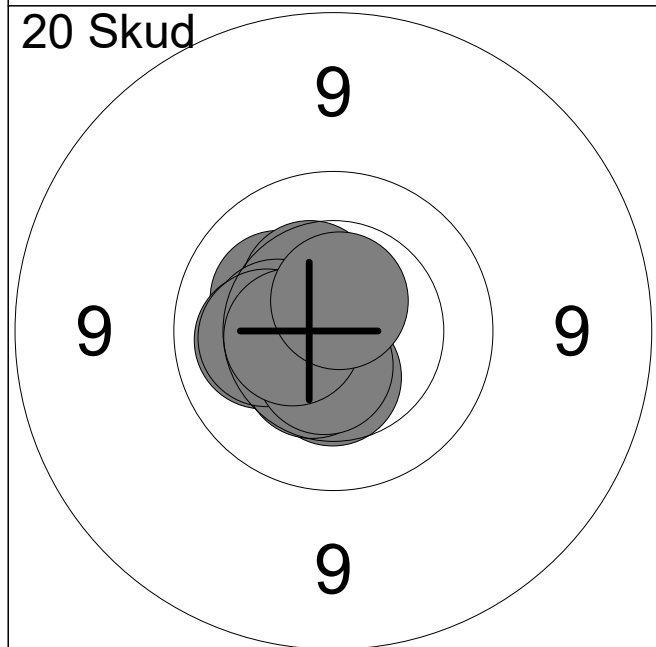
11:	9.9	↗
12:	10.7x	←
13:	10.3	↗
14:	10.7x	↘
15:	10.5	↗
16:	10.7x	↑
17:	10.6x	↗
18:	10.7x	→
19:	10.5x	↗
20:	10.6x	↘
<b>Serie</b>		<b>99 ( 7x)</b>
<b>Total</b>		<b>199 ( 9x)</b>



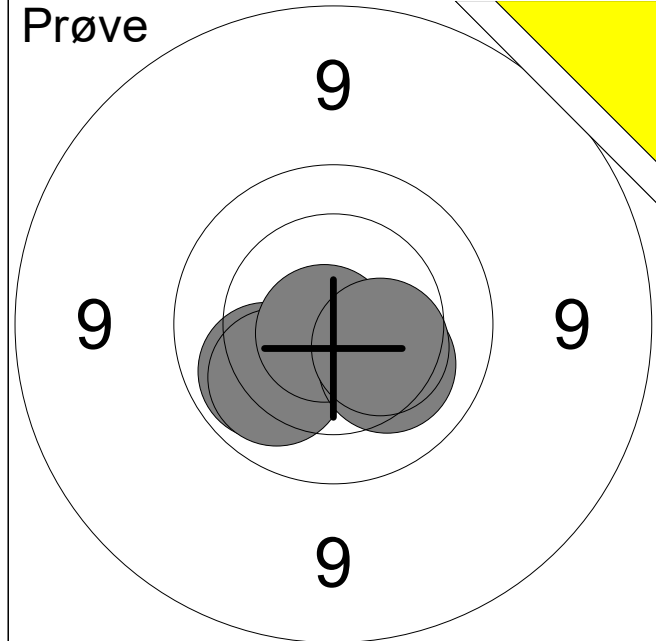
1:	9.9	↗
2:	9.7	↖
3:	10.1	↙
4:	10.4	↓
5:	10.1	↖
6:	10.4	↓
7:	10.5x	↗
<b>Serie</b>		<b>68 ( 1x)</b>
<b>Total</b>		<b>0 ( 0x)</b>



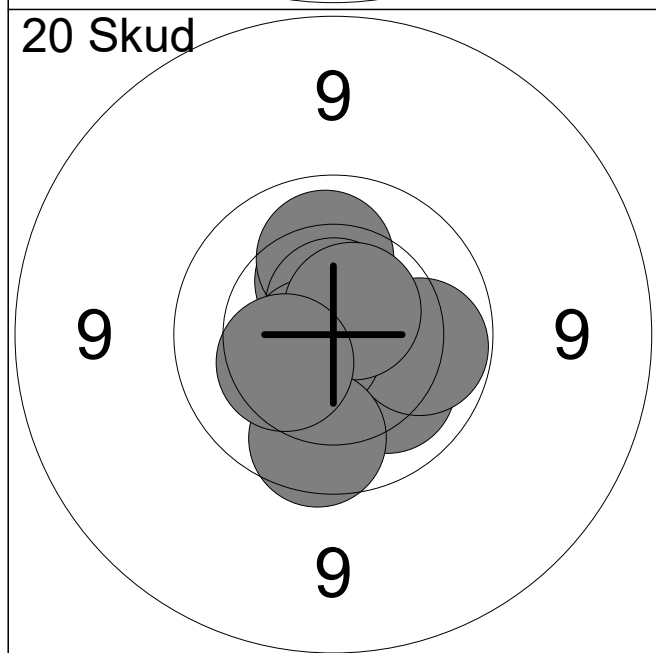
1:	10.1	↖
2:	10.9x	↙
3:	10.6x	←
4:	10.6x	↗
5:	10.2	↖
6:	10.5	↙
7:	10.6x	←
8:	10.4	↖
9:	10.5x	↗
10:	10.0	↗
<b>Serie</b>		<b>100 ( 5x)</b>
<b>Total</b>		<b>100 ( 5x)</b>



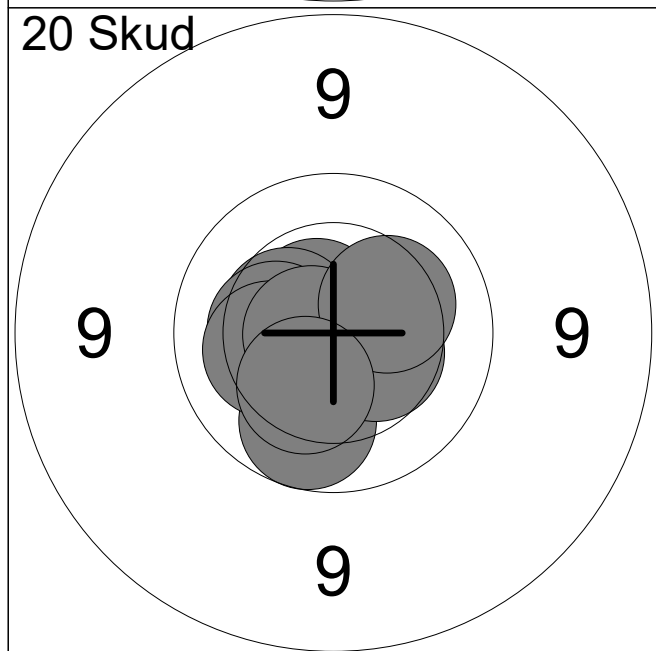
11:	10.2	↖
12:	10.4	↓
13:	10.4	↗
14:	10.2	←
15:	10.3	←
16:	10.5	↓
17:	10.2	←
18:	10.6x	↓
19:	10.5x	←
20:	10.6x	↑
<b>Serie</b>		<b>100 ( 3x)</b>
<b>Total</b>		<b>200 ( 8x)</b>



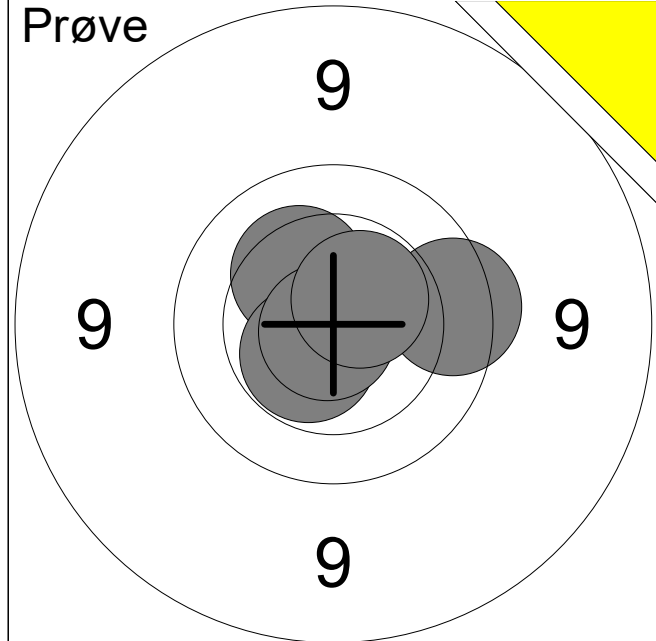
1:	10.0	↙
2:	10.1	↙
3:	10.8x	↙
4:	10.2	↘
5:	10.4	↘
<b>Serie</b>		<b>50 ( 1x)</b>
<b>Total</b>		<b>0 ( 0x)</b>



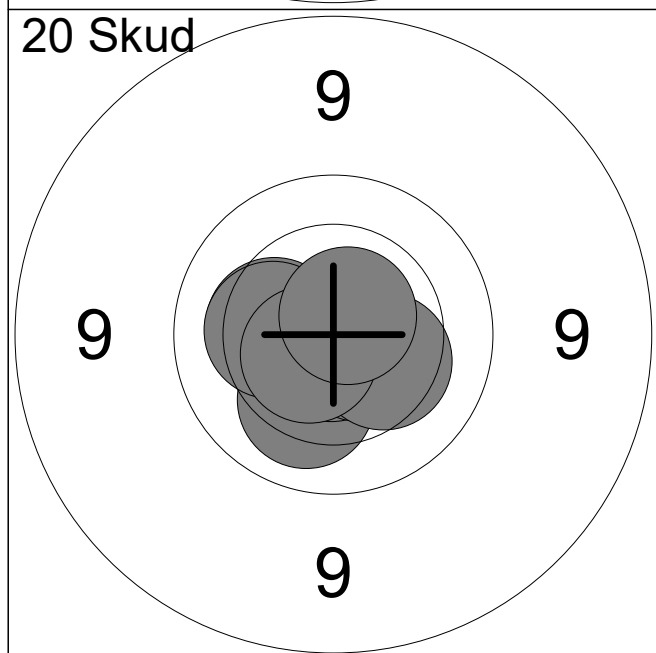
1:	10.5x	↙
2:	10.4	↑
3:	10.1	↘
4:	10.0	→
5:	10.1	↑
6:	10.6x	↑
7:	10.7x	↙
8:	10.6x	↗
9:	9.9	↓
10:	10.3	↙
<b>Serie</b>		<b>99 ( 4x)</b>
<b>Total</b>		<b>99 ( 4x)</b>



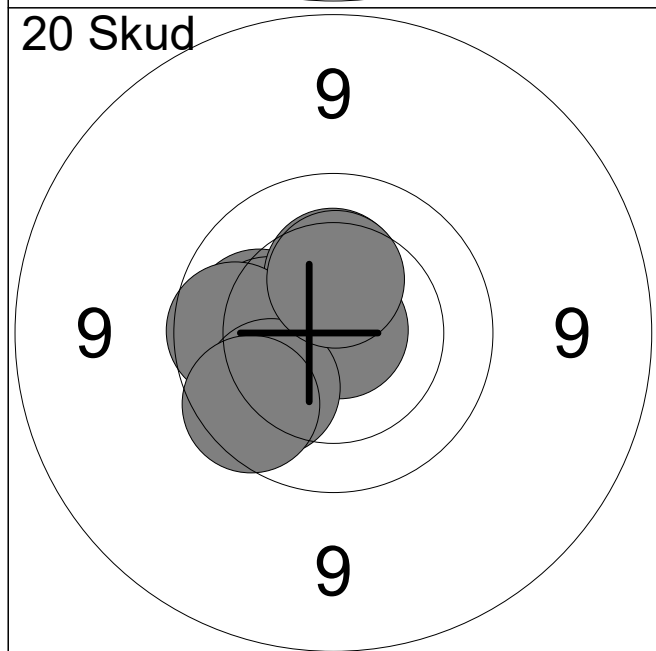
11:	10.6x	↖
12:	10.8x	↙
13:	10.4	↙
14:	9.9	↓
15:	10.3	←
16:	10.2	←
17:	10.4	↘
18:	10.7x	←
19:	10.3	↗
20:	10.3	↓
<b>Serie</b>		<b>99 ( 3x)</b>
<b>Total</b>		<b>198 ( 7x)</b>



1:	9.8	→
2:	10.3	↗
3:	10.5x	↘
4:	10.8x	↘
5:	10.6x	↗
<b>Serie</b>		<b>49 ( 3x)</b>
<b>Total</b>		<b>0 ( 0x)</b>



1:	10.8x	↘
2:	10.7x	↘
3:	10.2	↘
4:	10.3	←
5:	10.7x	↘
6:	10.6x	↘
7:	10.3	↘
8:	10.3	←
9:	10.6x	↘
10:	10.7x	↗
<b>Serie</b>		<b>100 ( 6x)</b>
<b>Total</b>		<b>100 ( 6x)</b>

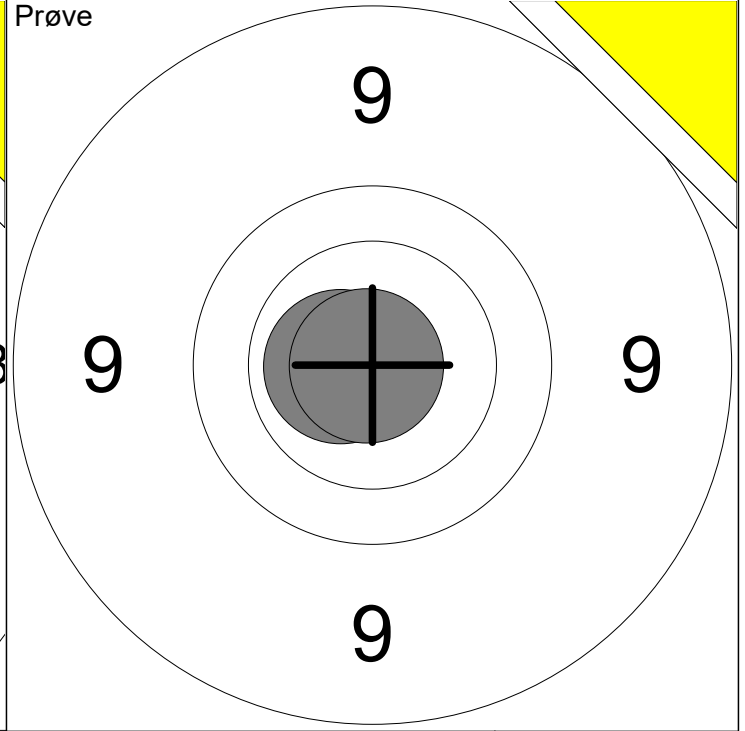
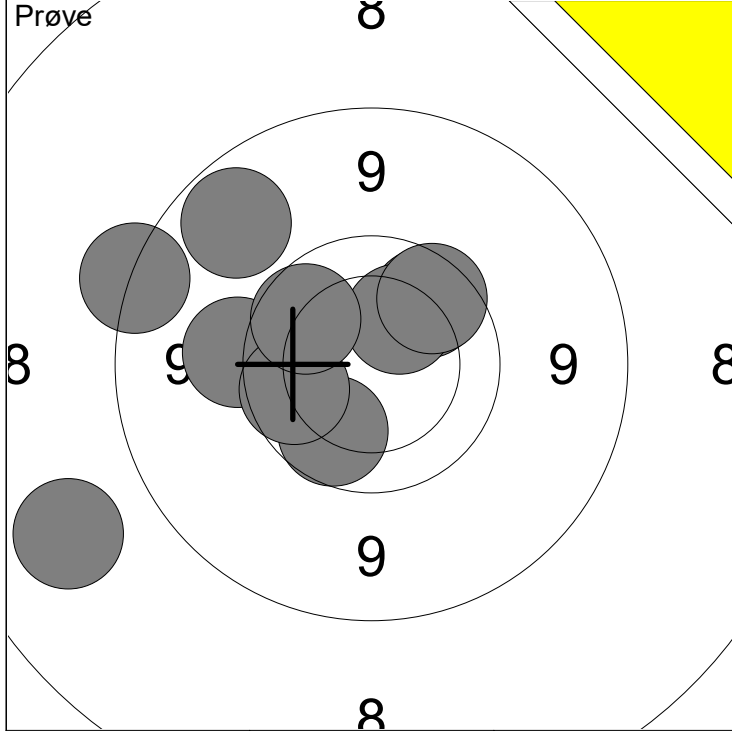


11:	10.6x	←
12:	10.2	←
13:	10.1	←
14:	10.2	←
15:	10.9x	↗
16:	10.3	↑
17:	9.9	←
18:	10.0	↘
19:	9.8	↘
20:	10.4	↑
<b>Serie</b>		<b>98 ( 2x)</b>
<b>Total</b>		<b>198 ( 8x)</b>

Hold <b>23</b>	Skive <b>9</b>	<h1>Karl August Thybring</h1>
-------------------	-------------------	-------------------------------

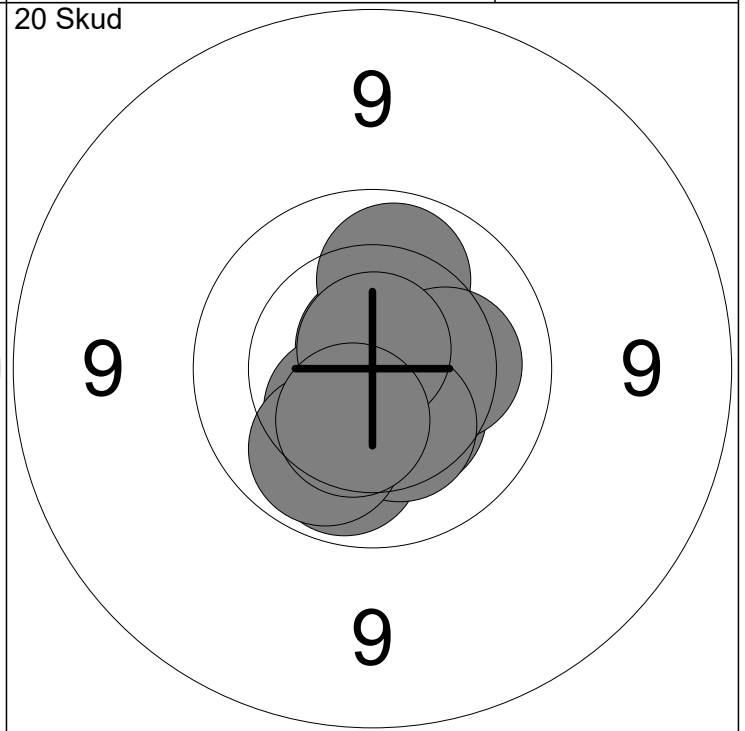
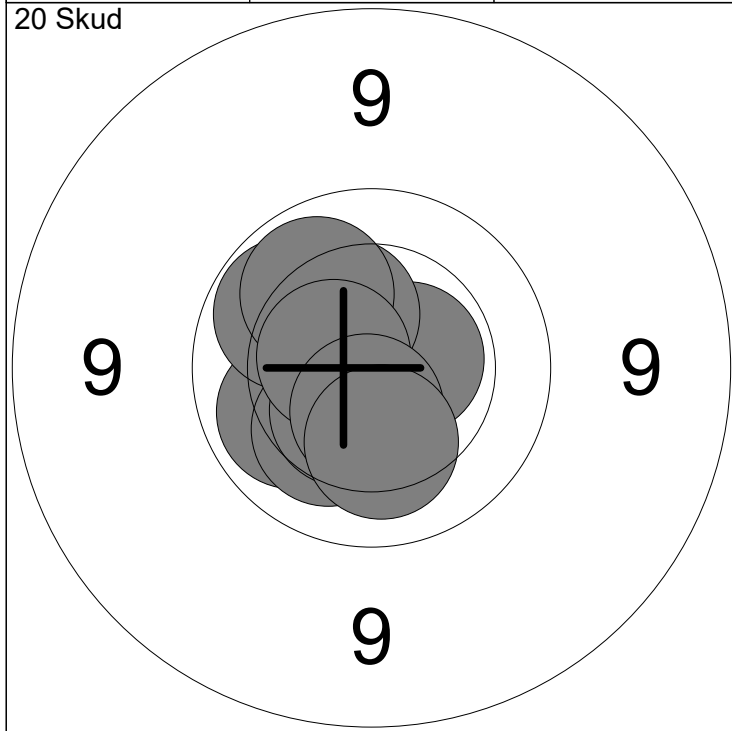
ØSF	Ballerup Skytteforening	BK2
-----	-------------------------	-----

18.11.2024	Ølstykke Skydningen 2024	Ølstykke skytteforening
------------	--------------------------	-------------------------



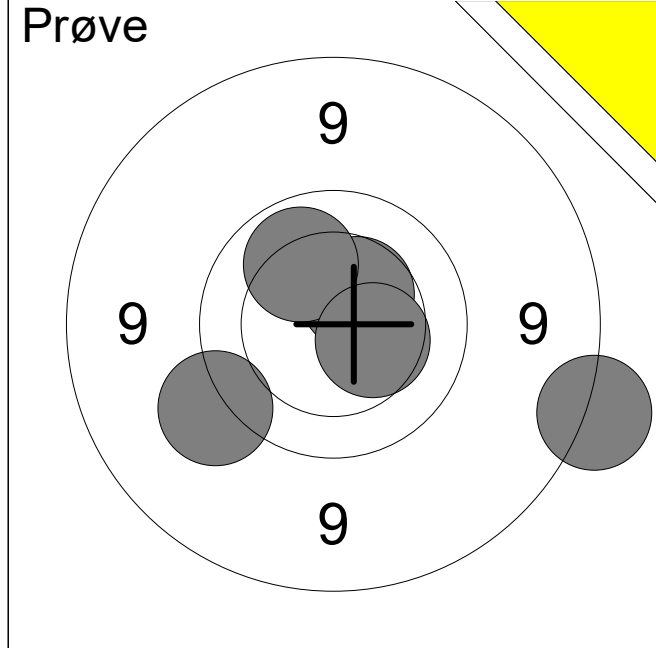
1: 8.2 ←	6: 9.9 ←	Serie 89 (0x)
2: 8.7 ←	7: 9.9 ↗	
3: 9.0 ↗	8: 10.2 ↗	Total 0 (0x)
4: 9.5 ←	9: 9.8 ↗	
5: 9.9 ↘	10: 9.9 ←	

11: 10.6x ←	Serie 20 (2x)
12: 10.9x ←	
Total 0 (0x)	

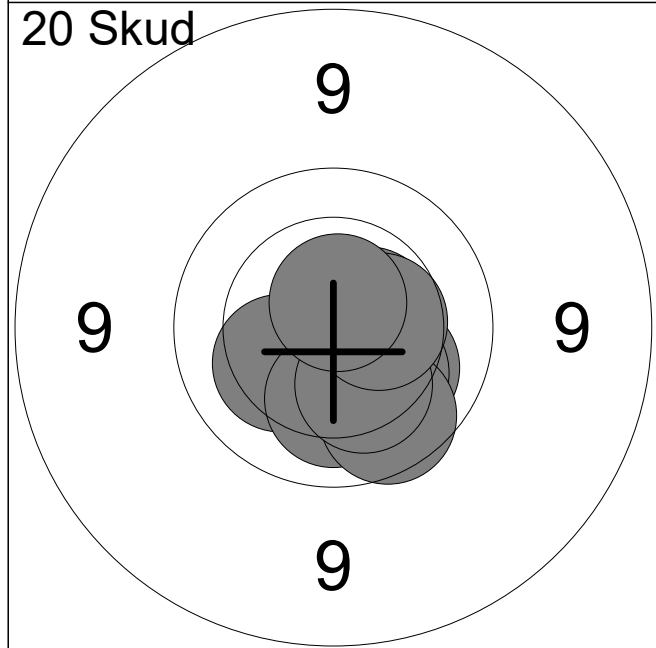


1: 10.6x →	6: 10.0 ←	Serie 100 (3x)
2: 10.1 ←	7: 10.0 ↗	
3: 10.2 ↘	8: 10.6x ←	Total 100 (3x)
4: 10.5 ↘	9: 10.5x ↓	
5: 10.4 ↗	10: 10.2 ↓	

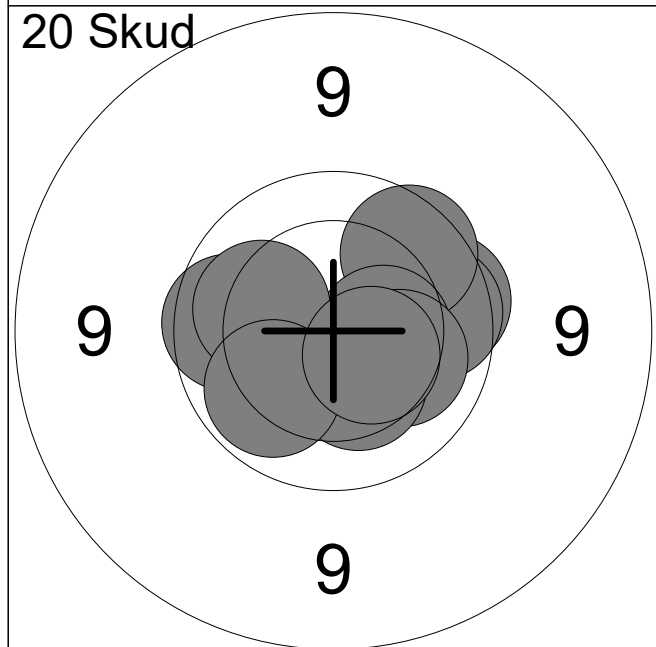
11: 10.8x ↑	16: 10.0 ↓	Serie 100 (2x)
12: 10.1 ↑	17: 10.3 ↓	
13: 10.4 ↘	18: 10.8x ↑	Total 200 (5x)
14: 10.2 →	19: 10.0 ↘	
15: 10.4 ↘	20: 10.4 ↓	



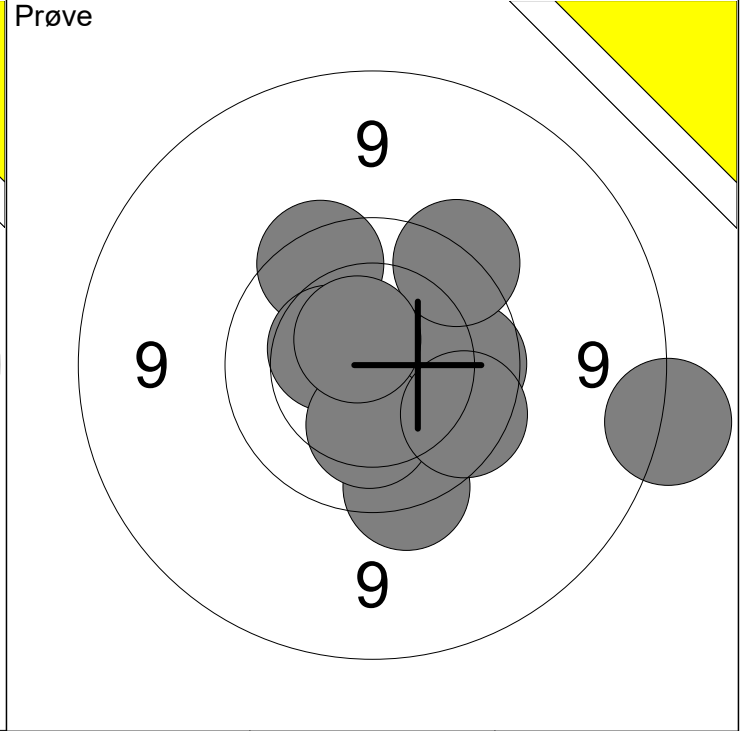
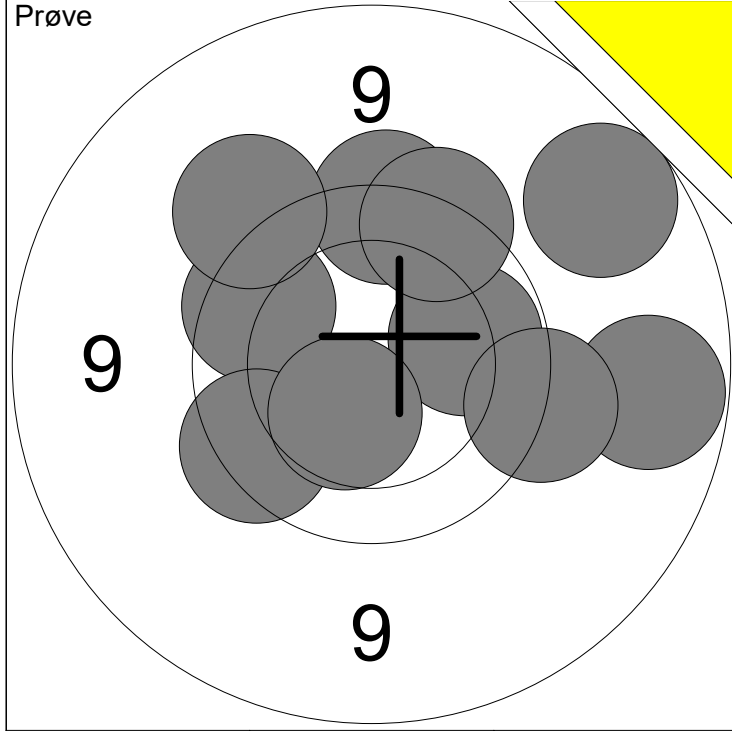
1:	8.6	→
2:	10.4	↗
3:	10.1	↗
4:	9.4	↖
5:	10.4	→
<b>Serie</b>		<b>47 ( 0x)</b>
<b>Total</b>		<b>0 ( 0x)</b>



1:	10.9x	↗
2:	10.2	↘
3:	10.2	↘
4:	10.6x	→
5:	10.3	↖
6:	10.2	↓
7:	9.9	↘
8:	10.2	↘
9:	10.4	→
10:	10.7x	↑
<b>Serie</b>		<b>99 ( 3x)</b>
<b>Total</b>		<b>99 ( 3x)</b>

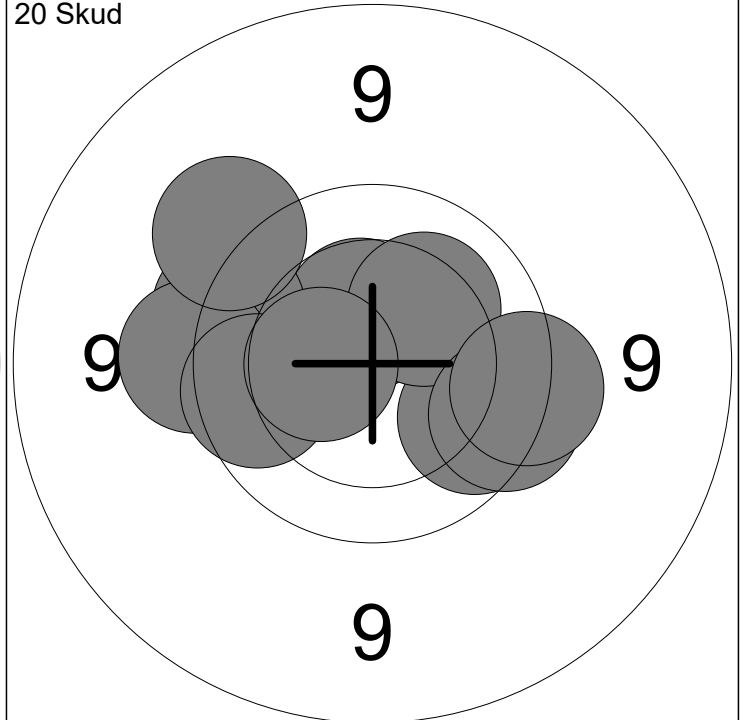
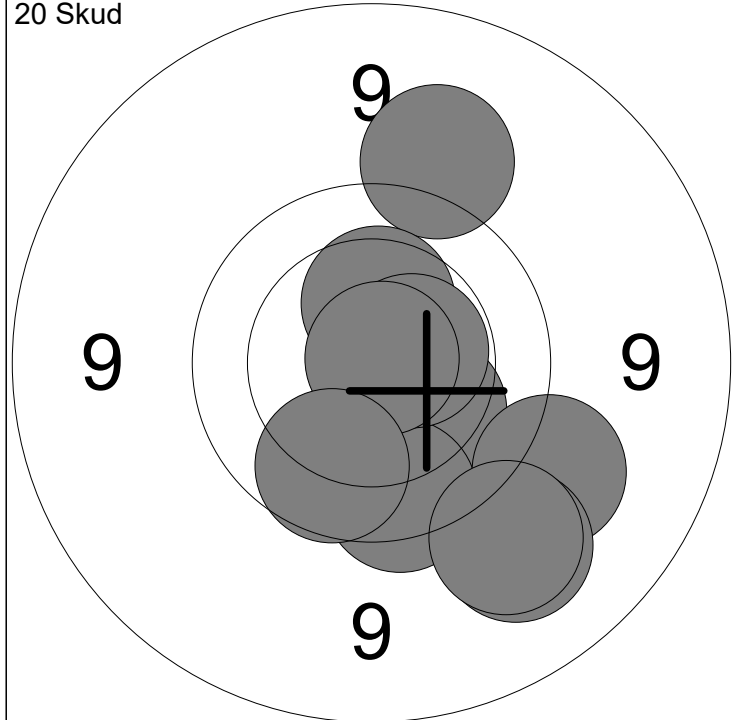


11:	9.8	→
12:	9.9	←
13:	9.9	→
14:	9.8	↗
15:	10.4	→
16:	10.1	←
17:	10.2	↘
18:	10.3	↘
19:	10.0	↖
20:	10.5	↘
<b>Serie</b>		<b>96 ( 0x)</b>
<b>Total</b>		<b>195 ( 3x)</b>



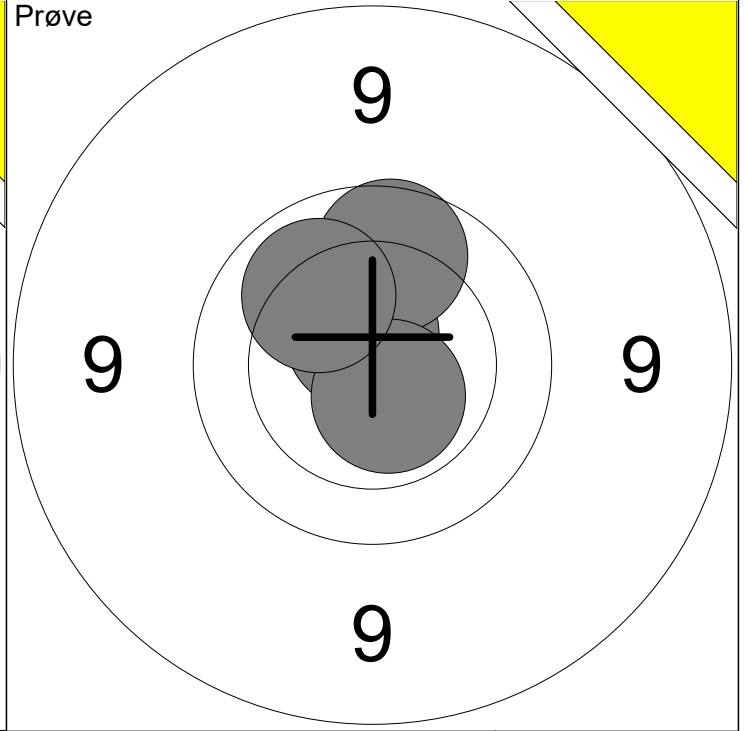
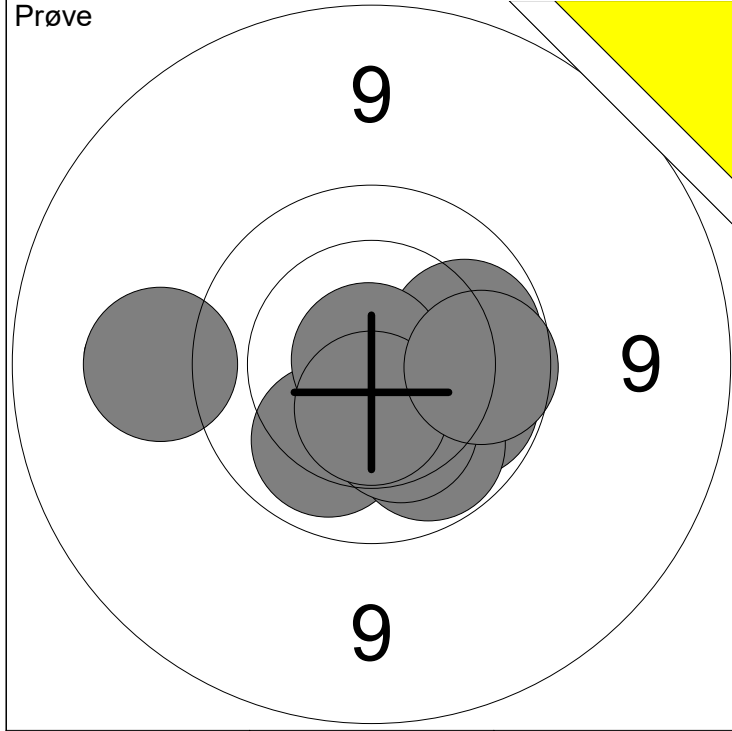
1: 9.6 ↑	6: 9.4 ↖	Serie	92 (0x)
2: 10.0 →	7: 9.0 →		
3: 9.7 ↑	8: 10.4 ↙	Total	0 (0x)
4: 9.8 ↖	9: 9.5 →		
5: 9.7 ↙	10: 9.0 ↗		

11: 9.7 ↖	16: 9.6 ↗	Serie	93 (1x)
12: 10.4 ↖	17: 9.7 ↓		
13: 10.2 →	18: 10.2 ↓	Total	0 (0x)
14: 8.6 →	19: 9.8 ↗		
15: 9.9 →	20: 10.6x ↖		



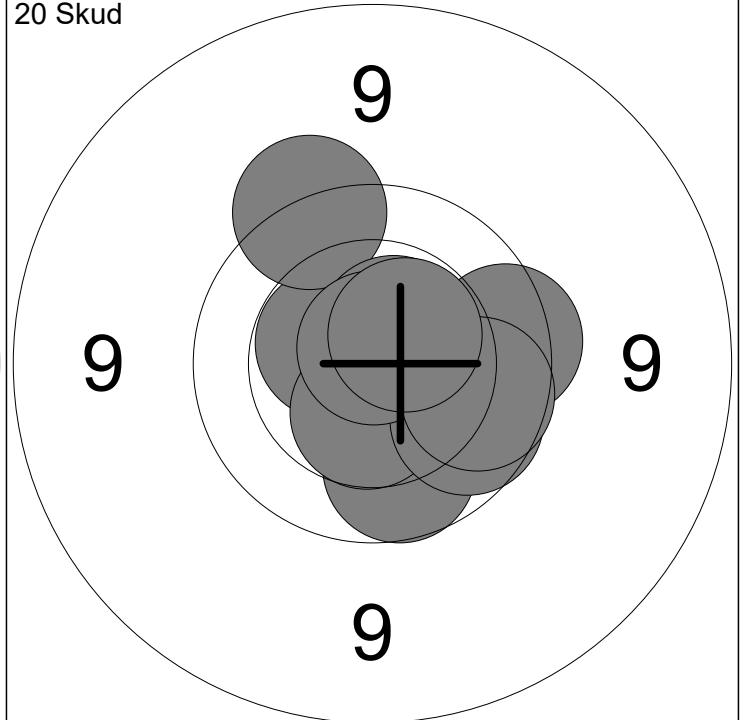
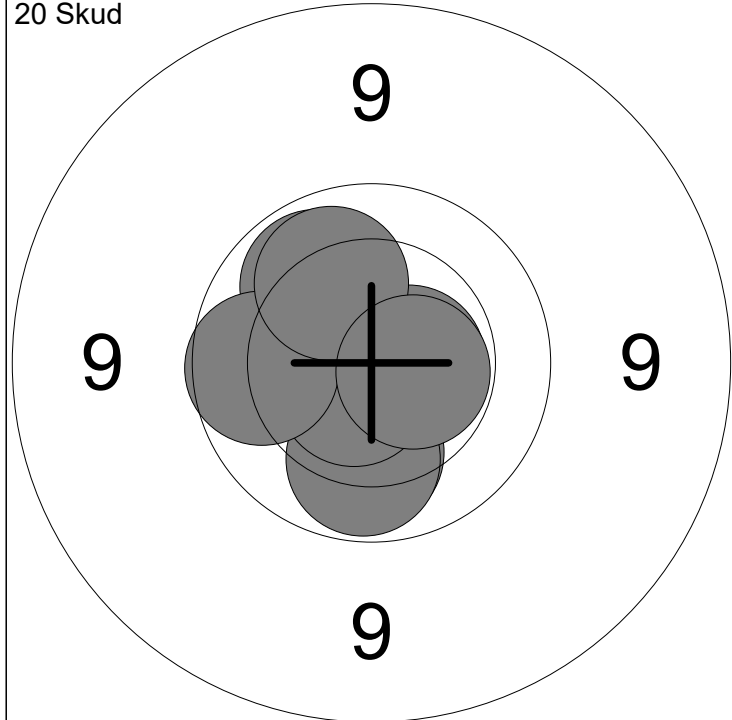
1: 10.2 ↘	6: 9.2 ↘	Serie	94 (2x)
2: 9.8 ↓	7: 10.5x →		
3: 9.4 ↘	8: 10.8x →	Total	94 (2x)
4: 9.3 ↑	9: 9.9 ↓		
5: 10.4 ↑	10: 9.3 ↘		

11: 9.9 →	16: 9.9 ←	Serie	93 (0x)
12: 10.5 ↑	17: 10.4 ←		
13: 10.2 ↗	18: 9.7 →	Total	187 (2x)
14: 9.7 ↖	19: 9.6 →		
15: 9.5 ←	20: 9.4 ↖		



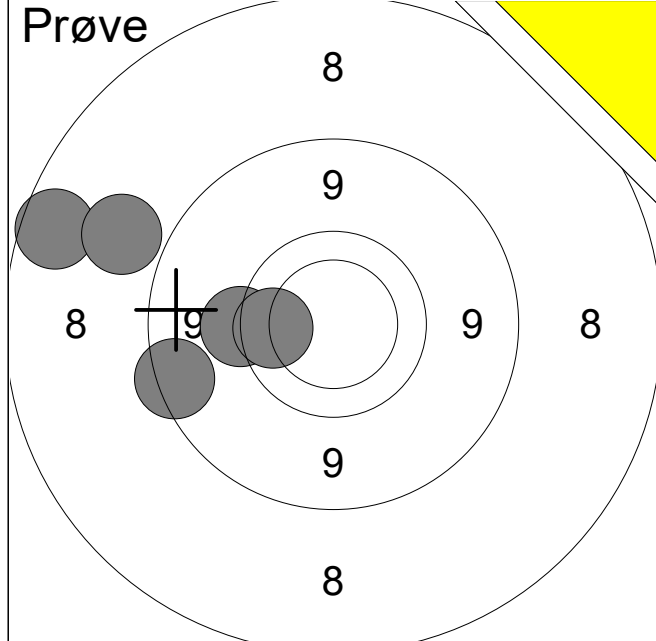
1: 9.3 ←	6: 10.0 ↘	Serie	98 (2x)
2: 10.0 →	7: 10.9x ↗		
3: 10.0 →	8: 10.3 ↘	Total	0 (0x)
4: 10.1 ↙	9: 10.5x ↓		
5: 10.3 ↘	10: 9.9 →		

11: 10.6x ↗	Serie	39 (2x)
12: 9.9 ↑		
13: 10.6x ↘	Total	0 (0x)
14: 10.1 ↗		

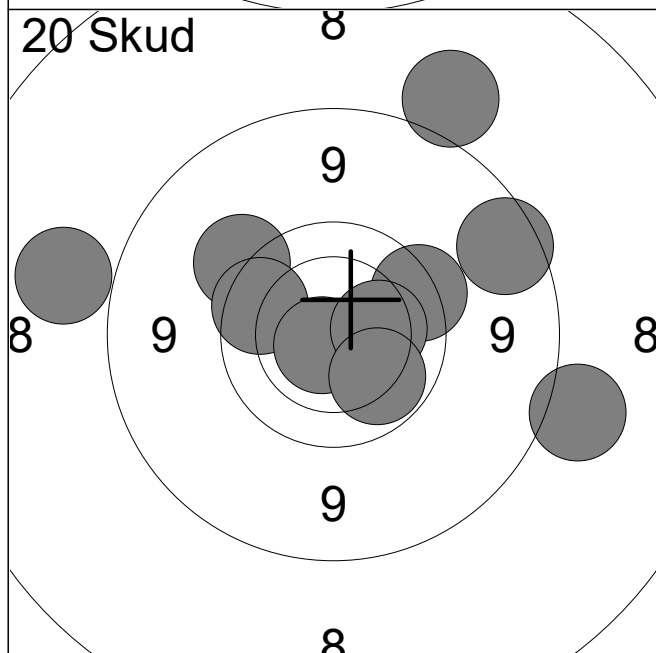


1: 10.7x ↘	6: 10.5 ←	Serie	99 (4x)
2: 10.6x →	7: 10.6x ↘		
3: 10.1 ↓	8: 9.9 ←	Total	99 (4x)
4: 10.0 ↓	9: 10.1 ↗		
5: 10.0 ↗	10: 10.5x →		

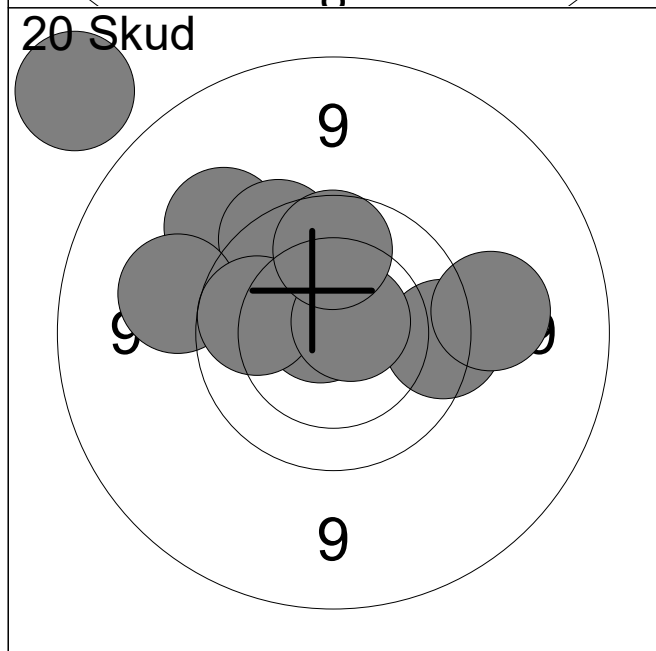
11: 9.9 ↓	16: 10.6x ↗	Serie	95 (4x)
12: 9.8 →	17: 9.9 ↘		
13: 10.5x ↗	18: 10.8x ↑	Total	194 (8x)
14: 9.6 ↗	19: 9.9 →		
15: 10.5 ↓	20: 10.5x ↗		



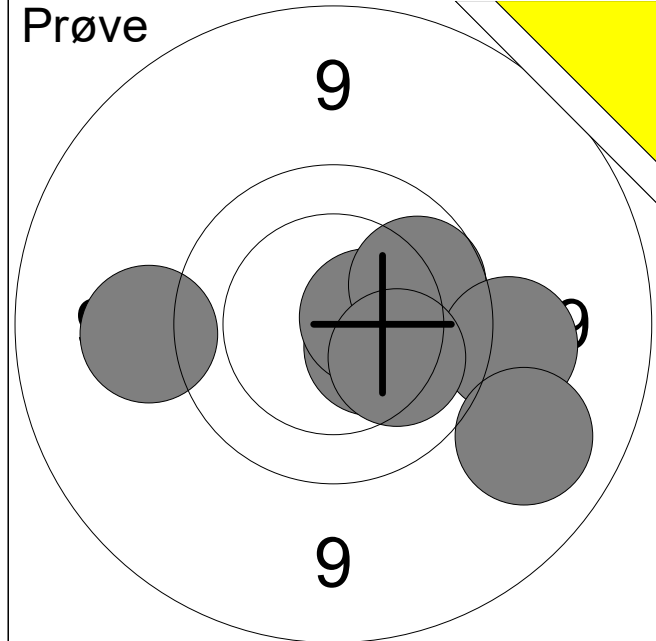
1:	9.5	←
2:	7.9	←
3:	8.4	←
4:	8.8	←
5:	9.9	←
<b>Serie</b>		<b>41 ( 0x)</b>
<b>Total</b>		<b>0 ( 0x)</b>



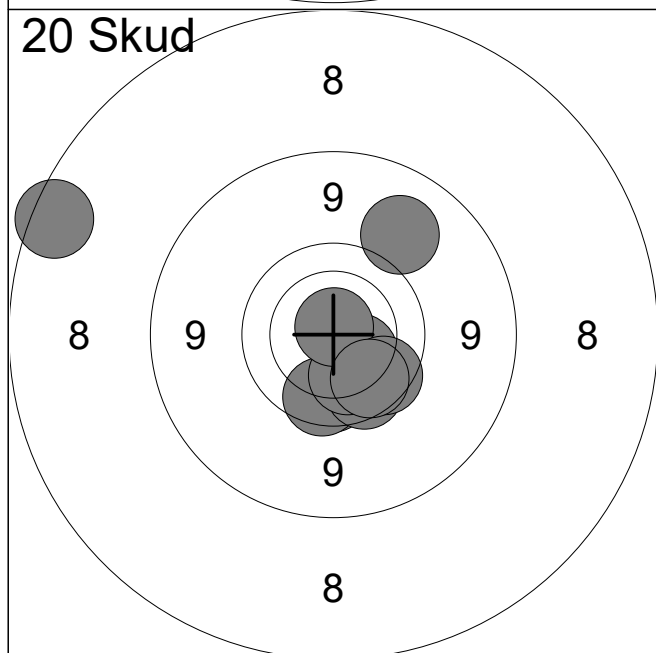
1:	9.7	↗
2:	9.5	↗
3:	9.8	←
4:	8.4	←
5:	8.5	→
6:	10.7x	↙
7:	10.2	→
8:	10.0	↘
9:	8.5	↗
10:	8.9	↗
<b>Serie</b>		<b>89 ( 1x)</b>
<b>Total</b>		<b>89 ( 1x)</b>



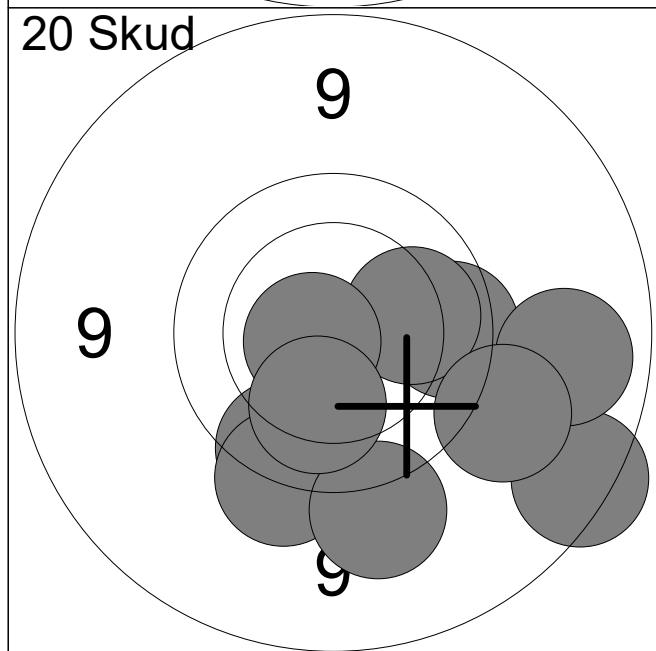
11:	9.4	↗
12:	9.7	↗
13:	8.3	↗
14:	9.7	→
15:	9.4	←
16:	10.7x	↗
17:	9.4	→
18:	10.0	←
19:	10.7x	↗
20:	9.9	↑
<b>Serie</b>		<b>92 ( 2x)</b>
<b>Total</b>		<b>181 ( 3x)</b>



1:	10.4	↘
2:	9.4	←
3:	10.6x	→
4:	9.9	↗
5:	9.4	→
6:	9.1	↘
7:	10.2	↘
<b>Serie</b>	<b>66 ( 1x)</b>	
<b>Total</b>	<b>0 ( 0x)</b>	

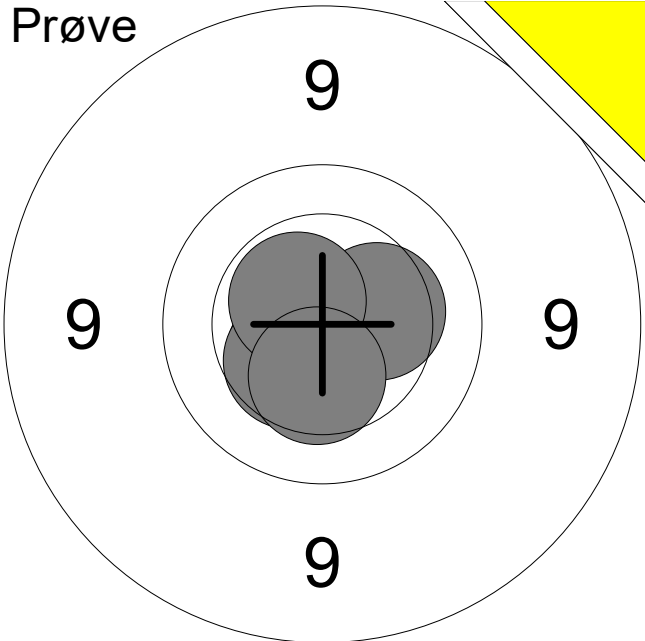
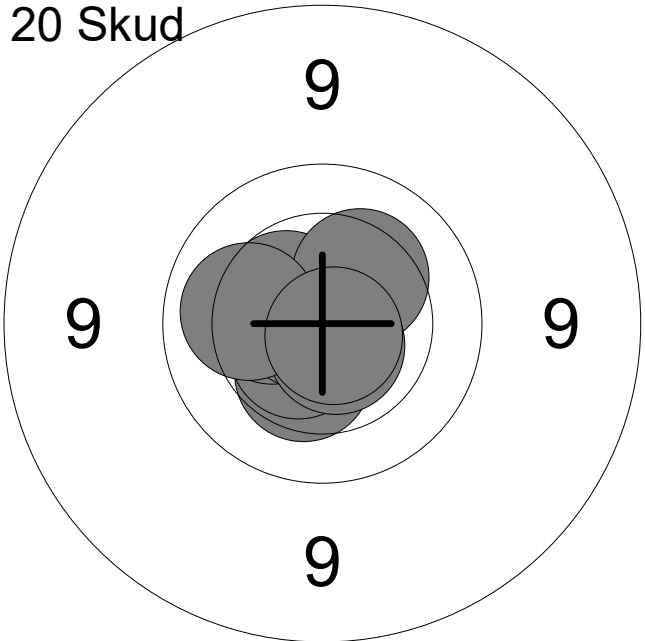
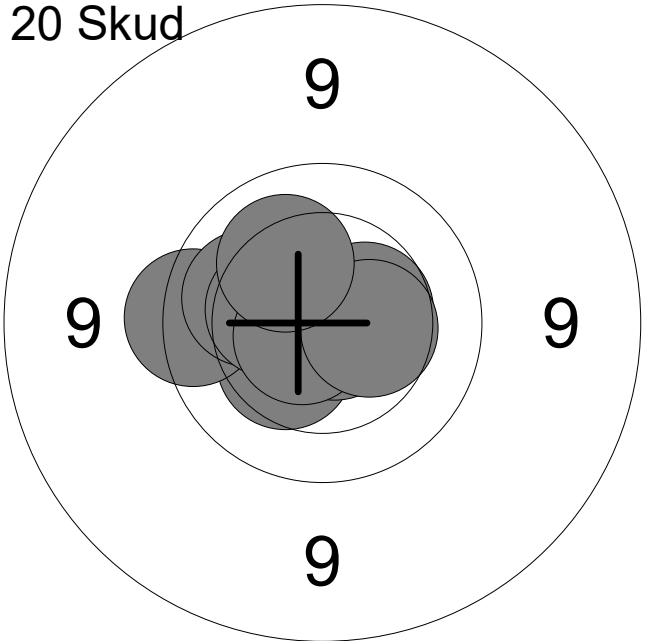


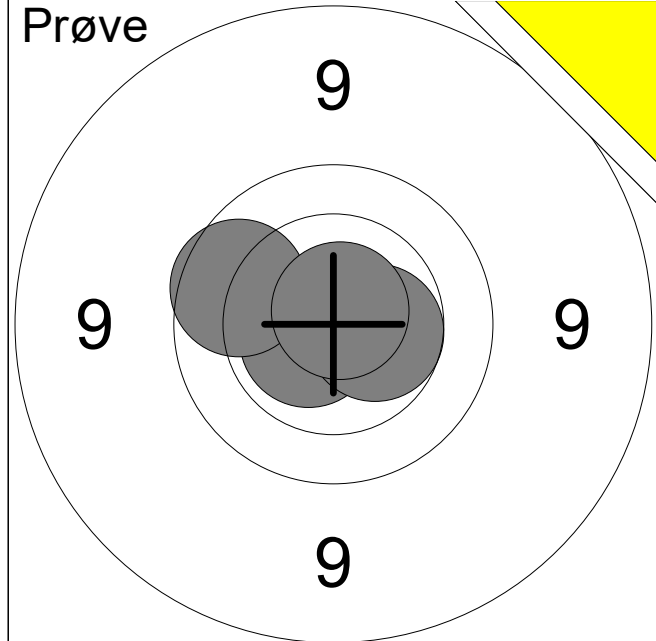
1:	9.9	↓
2:	10.4	↘
3:	9.8	↓
4:	7.8	↖
5:	9.8	↘
6:	9.2	↗
7:	10.1	↓
8:	10.8x	↑
9:	9.8	↘
10:	9.9	↘
<b>Serie</b>	<b>91 ( 1x)</b>	
<b>Total</b>	<b>91 ( 1x)</b>	



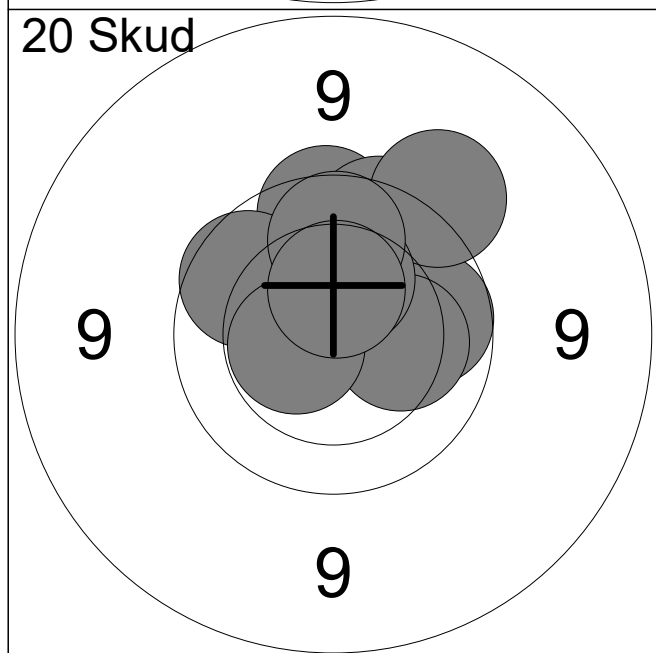
11:	9.7	↓
12:	9.8	→
13:	10.1	→
14:	10.7x	←
15:	8.8	↘
16:	9.1	→
17:	9.6	↓
18:	9.4	↓
19:	9.3	↘
20:	10.1	↓
<b>Serie</b>	<b>92 ( 1x)</b>	
<b>Total</b>	<b>183 ( 2x)</b>	

Hold <b>24</b>	Skive <b>4</b>	<b>Kim Liin</b>		
ØSF		Ølstykke Skytteforening		FRI2
18.11.2024		Ølstykke Skydningen 2024		Ølstykke skytteforening
<b>Prøve</b> 		1:	10.5x	↘
		2:	8.9	←
		3:	9.2	←
		4:	10.0	↘
		5:	9.6	←
		<b>Serie</b>		<b>46 ( 1x)</b>
		<b>Total</b>		<b>0 ( 0x)</b>
<b>20 Skud</b> 		1:	9.1	←
		2:	9.5	↘
		3:	9.4	←
		4:	9.8	←
		5:	9.7	←
		6:	9.8	↘
		7:	10.5x	→
		8:	9.8	↘
		9:	9.8	→
		10:	10.0	↗
		<b>Serie</b>		<b>92 ( 1x)</b>
		<b>Total</b>		<b>92 ( 1x)</b>
<b>20 Skud</b> 		11:	10.3	↗
		12:	10.8x	↘
		13:	10.0	↗
		14:	10.3	↘
		15:	10.3	↗
		16:	10.2	↘
		17:	10.6x	↗
		18:	10.8x	↑
		19:	10.6x	←
		20:	10.1	↗
		<b>Serie</b>		<b>100 ( 4x)</b>
		<b>Total</b>		<b>192 ( 5x)</b>

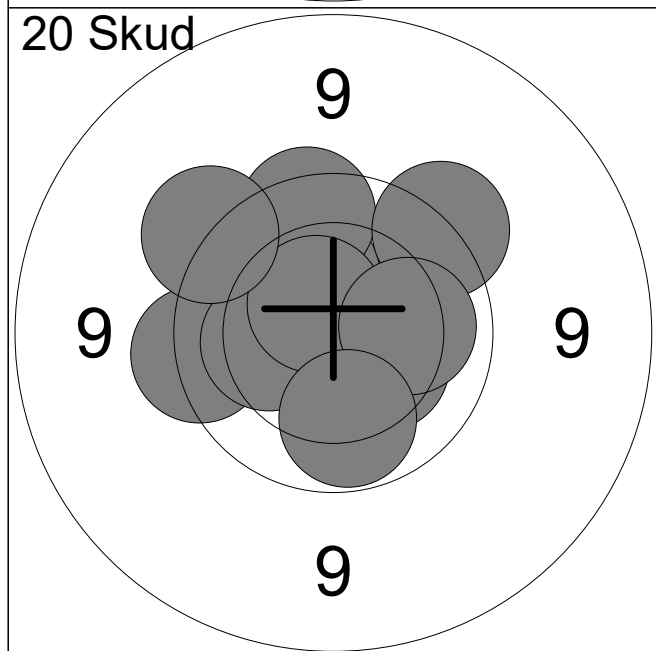
Hold <b>24</b>	Skive <b>5</b>	<b>Peter Hansen</b>		
ØSF		Ballerup Skytteforening		MSE1
18.11.2024		Ølstykke Skydningen 2024	Ølstykke skytteforening	
<b>Prøve</b>				
		1:	10.5x	↙
		2:	10.3	→
		3:	10.4	↙
		4:	10.6x	↗
		5:	10.4	↓
		<b>Serie</b>		<b>50 ( 2x)</b>
		<b>Total</b>		<b>0 ( 0x)</b>
<b>20 Skud</b>				
		1:	10.4	↓
		2:	10.6x	↙
		3:	10.4	←
		4:	10.6x	↗
		5:	10.8x	←
		6:	10.5	↗
		7:	10.3	↗
		8:	10.7x	↓
		9:	10.1	←
		10:	10.8x	↓
		<b>Serie</b>		<b>100 ( 5x)</b>
		<b>Total</b>		<b>100 ( 5x)</b>
<b>20 Skud</b>				
		11:	10.4	↙
		12:	9.7	←
		13:	10.1	↙
		14:	10.6x	↗
		15:	10.8x	↓
		16:	10.4	←
		17:	10.5	→
		18:	10.7x	↙
		19:	10.4	→
		20:	10.2	↗
		<b>Serie</b>		<b>99 ( 3x)</b>
		<b>Total</b>		<b>199 ( 8x)</b>



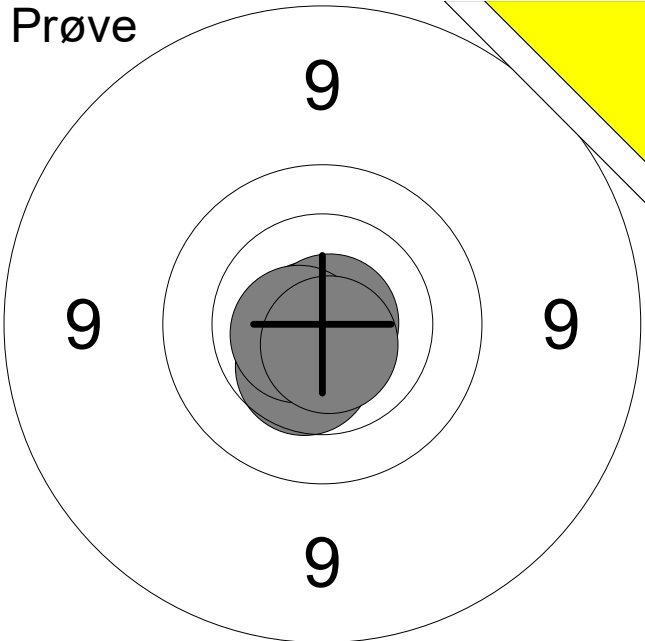
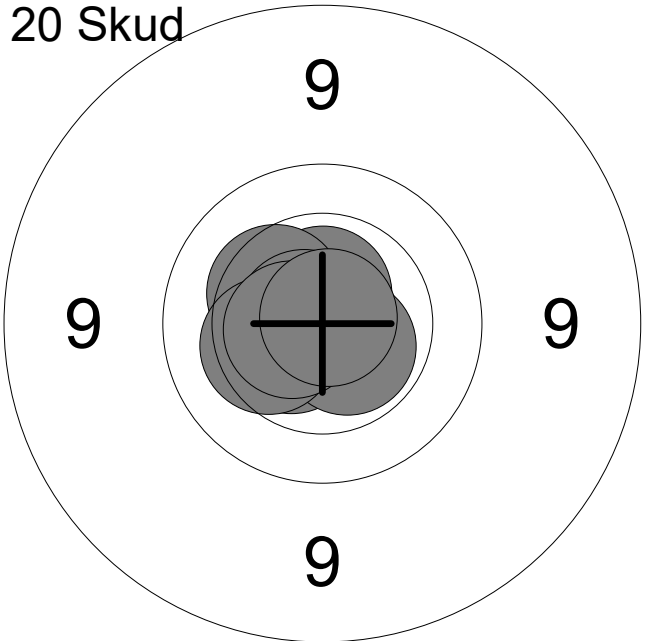
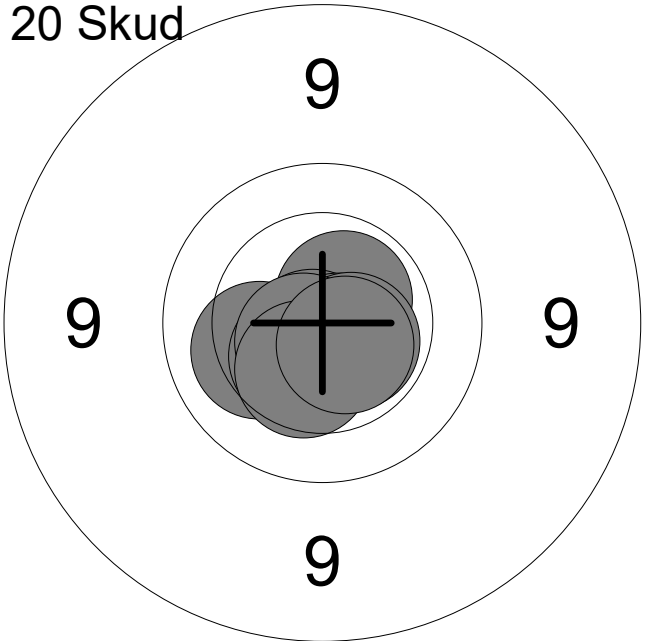
1:	10.6x	↙
2:	10.5	→
3:	9.9	↖
4:	10.8x	↗
<b>Serie</b>		<b>39 ( 2x)</b>
<b>Total</b>		<b>0 ( 0x)</b>



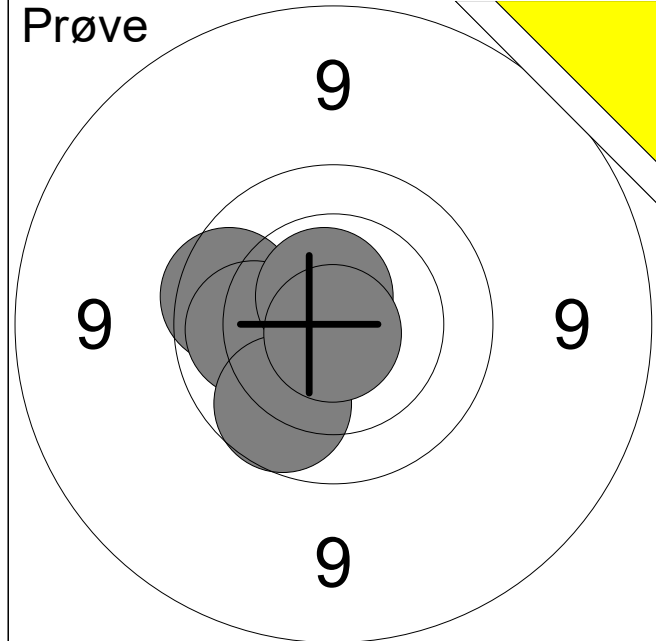
1:	9.8	↑
2:	9.8	↗
3:	9.9	→
4:	10.2	→
5:	9.4	↗
6:	10.3	↑
7:	9.9	↖
8:	10.5x	←
9:	9.9	↑
10:	10.4	↑
<b>Serie</b>		<b>94 ( 1x)</b>
<b>Total</b>		<b>94 ( 1x)</b>



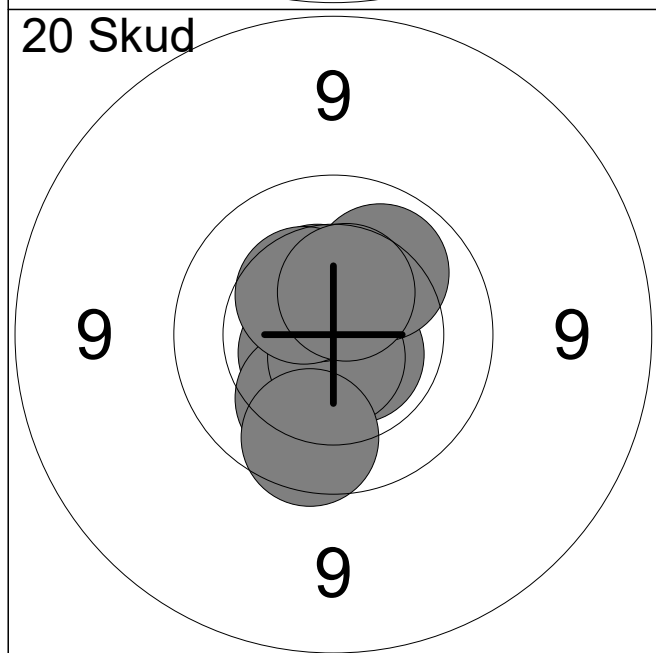
11:	9.7	←
12:	10.3	↘
13:	10.3	↗
14:	10.2	←
15:	9.8	↑
16:	9.6	↗
17:	10.6x	↗
18:	10.1	→
19:	9.5	↖
20:	10.0	↓
<b>Serie</b>		<b>96 ( 1x)</b>
<b>Total</b>		<b>190 ( 2x)</b>

Hold <b>24</b>	Skive <b>7</b>	<b>Bent Kruse</b>		
ØSF		Ballerup Skytteforening		MSE1
18.11.2024		Ølstykke Skydningen 2024	Ølstykke skytteforening	
<b>Prøve</b> 		1:	10.4	↘
		2:	10.8x	↙
		3:	10.9x	→
		4:	10.7x	↙
		5:	10.7x	↘
		<b>Serie</b>		<b>50 ( 4x)</b>
		<b>Total</b>		<b>0 ( 0x)</b>
<b>20 Skud</b> 		1:	10.5x	↙
		2:	10.8x	↙
		3:	10.6x	↙
		4:	10.6x	↑
		5:	10.3	↖
		6:	10.7x	↙
		7:	10.6x	↘
		8:	10.3	↙
		9:	10.6x	↙
		10:	10.9x	↗
		<b>Serie</b>		<b>100 ( 8x)</b>
		<b>Total</b>		<b>100 ( 8x)</b>
<b>20 Skud</b> 		11:	10.6x	↗
		12:	10.7x	↘
		13:	10.2	↙
		14:	10.7x	↘
		15:	10.5	↘
		16:	10.7x	↘
		17:	10.6x	↘
		18:	10.7x	↙
		19:	10.4	↘
		20:	10.6x	↘
		<b>Serie</b>		<b>100 ( 7x)</b>
		<b>Total</b>		<b>200 ( 15x)</b>

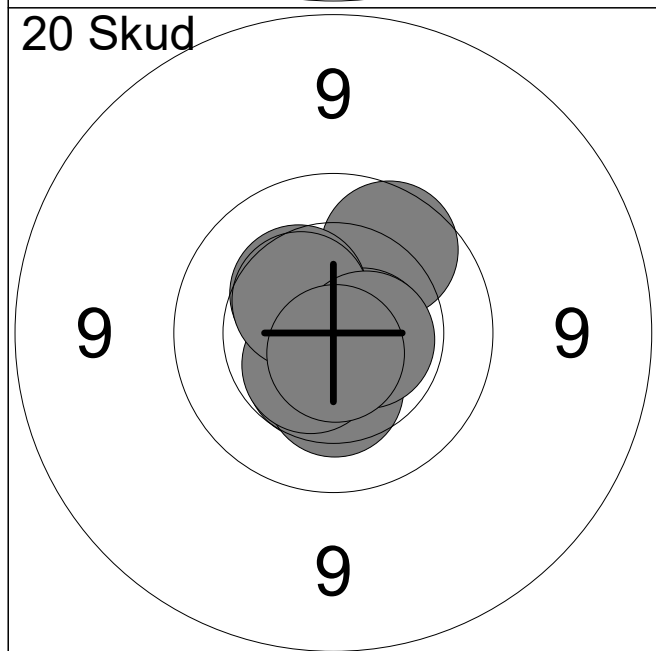
Hold <b>24</b>	Skive <b>8</b>	<b>Oskar Rasch Simonsen</b>																																
ØSF		Ballerup Skytteforening		MJ1																														
18.11.2024		Ølstykke Skydningen 2024		Ølstykke skytteforening																														
<b>Prøve</b>		<table border="0"> <tr><td>1:</td><td>10.2</td><td>↖</td></tr> <tr><td>2:</td><td>10.6x</td><td>↓</td></tr> <tr><td>3:</td><td>10.6x</td><td>↗</td></tr> <tr><td>4:</td><td>10.2</td><td>←</td></tr> <tr><td>5:</td><td>10.5x</td><td>↑</td></tr> </table>			1:	10.2	↖	2:	10.6x	↓	3:	10.6x	↗	4:	10.2	←	5:	10.5x	↑															
1:	10.2	↖																																
2:	10.6x	↓																																
3:	10.6x	↗																																
4:	10.2	←																																
5:	10.5x	↑																																
		Serie		50 ( 3x)																														
		Total		0 ( 0x)																														
<b>20 Skud</b>		<table border="0"> <tr><td>1:</td><td>10.4</td><td>↗</td></tr> <tr><td>2:</td><td>10.8x</td><td>→</td></tr> <tr><td>3:</td><td>10.4</td><td>←</td></tr> <tr><td>4:</td><td>10.4</td><td>↗</td></tr> <tr><td>5:</td><td>10.3</td><td>↙</td></tr> <tr><td>6:</td><td>10.7x</td><td>←</td></tr> <tr><td>7:</td><td>10.1</td><td>←</td></tr> <tr><td>8:</td><td>10.3</td><td>→</td></tr> <tr><td>9:</td><td>10.5x</td><td>↗</td></tr> <tr><td>10:</td><td>10.5x</td><td>↗</td></tr> </table>			1:	10.4	↗	2:	10.8x	→	3:	10.4	←	4:	10.4	↗	5:	10.3	↙	6:	10.7x	←	7:	10.1	←	8:	10.3	→	9:	10.5x	↗	10:	10.5x	↗
1:	10.4	↗																																
2:	10.8x	→																																
3:	10.4	←																																
4:	10.4	↗																																
5:	10.3	↙																																
6:	10.7x	←																																
7:	10.1	←																																
8:	10.3	→																																
9:	10.5x	↗																																
10:	10.5x	↗																																
		Serie		100 ( 4x)																														
		Total		100 ( 4x)																														
<b>20 Skud</b>		<table border="0"> <tr><td>11:</td><td>10.3</td><td>←</td></tr> <tr><td>12:</td><td>10.6x</td><td>↗</td></tr> <tr><td>13:</td><td>10.4</td><td>↑</td></tr> <tr><td>14:</td><td>10.4</td><td>↗</td></tr> <tr><td>15:</td><td>10.9x</td><td>→</td></tr> <tr><td>16:</td><td>10.5</td><td>←</td></tr> <tr><td>17:</td><td>10.7x</td><td>↗</td></tr> <tr><td>18:</td><td>10.7x</td><td>↙</td></tr> <tr><td>19:</td><td>10.8x</td><td>↑</td></tr> <tr><td>20:</td><td>10.7x</td><td>↓</td></tr> </table>			11:	10.3	←	12:	10.6x	↗	13:	10.4	↑	14:	10.4	↗	15:	10.9x	→	16:	10.5	←	17:	10.7x	↗	18:	10.7x	↙	19:	10.8x	↑	20:	10.7x	↓
11:	10.3	←																																
12:	10.6x	↗																																
13:	10.4	↑																																
14:	10.4	↗																																
15:	10.9x	→																																
16:	10.5	←																																
17:	10.7x	↗																																
18:	10.7x	↙																																
19:	10.8x	↑																																
20:	10.7x	↓																																
		Serie		100 ( 6x)																														
		Total		200 ( 10x)																														



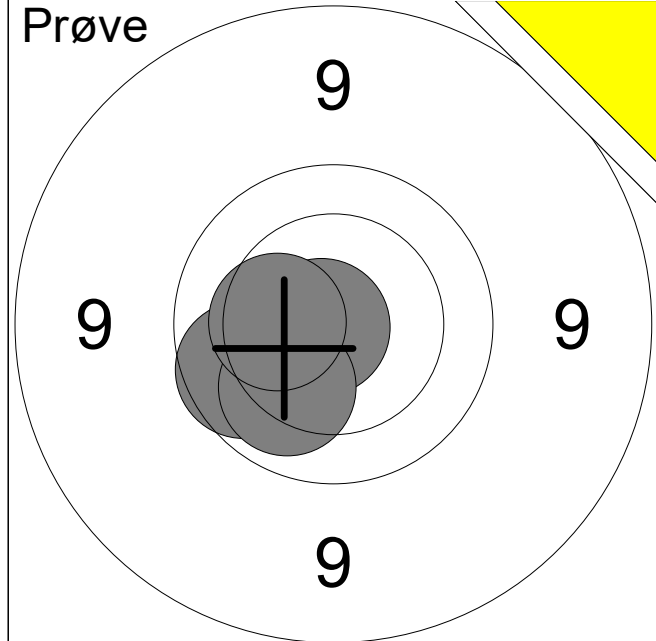
1:	9.8	←
2:	10.1	←
3:	10.6x	↑
4:	9.9	↓
5:	10.8x	↓
<b>Serie</b>		<b>48 ( 2x)</b>
<b>Total</b>		<b>0 ( 0x)</b>



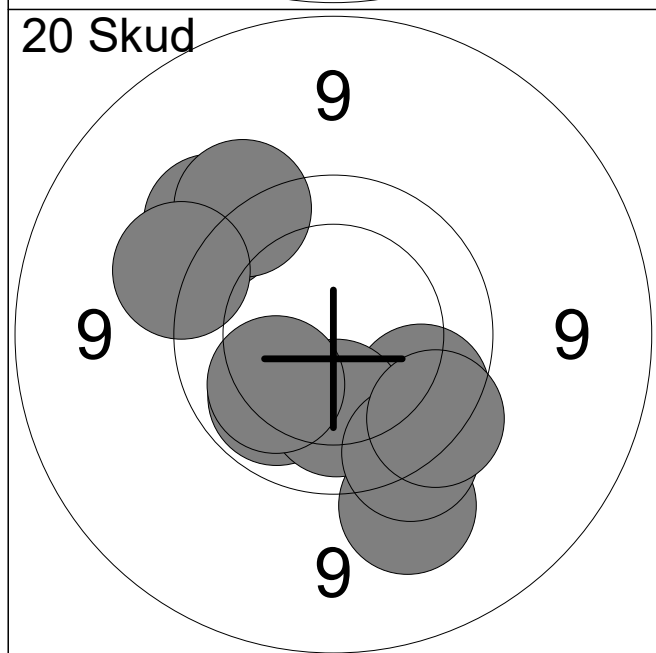
1:	10.6x	↓
2:	10.6x	↘
3:	10.6x	←
4:	10.2	↓
5:	10.7x	↓
6:	10.5	↑
7:	10.1	↗
8:	10.4	↖
9:	9.9	↓
10:	10.5	↑
<b>Serie</b>		<b>99 ( 4x)</b>
<b>Total</b>		<b>99 ( 4x)</b>



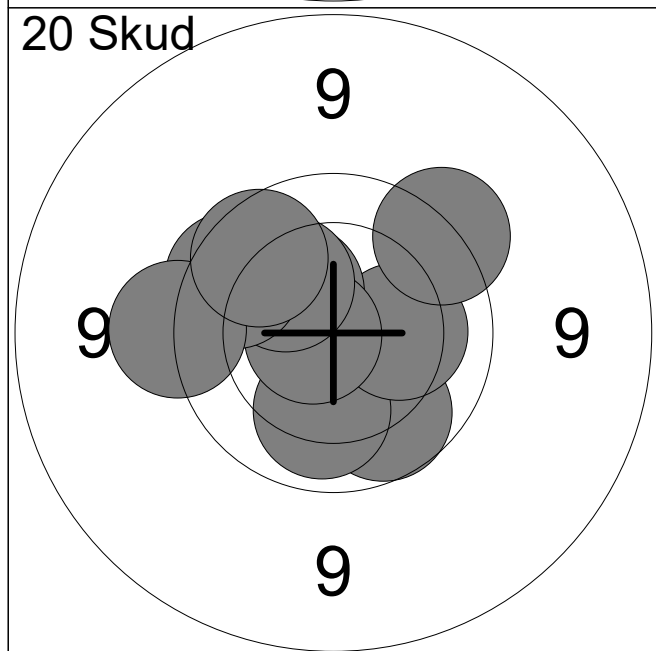
11:	9.9	↗
12:	10.5	↓
13:	10.8x	↓
14:	10.3	↓
15:	10.6x	→
16:	10.4	↖
17:	10.5x	↓
18:	10.4	↖
19:	10.6x	→
20:	10.7x	↓
<b>Serie</b>		<b>99 ( 5x)</b>
<b>Total</b>		<b>198 ( 9x)</b>



1:	9.9	↙
2:	10.8x	←
3:	10.1	↘
4:	10.3	←
<b>Serie</b>		<b>39 ( 1x)</b>
<b>Total</b>		<b>0 ( 0x)</b>

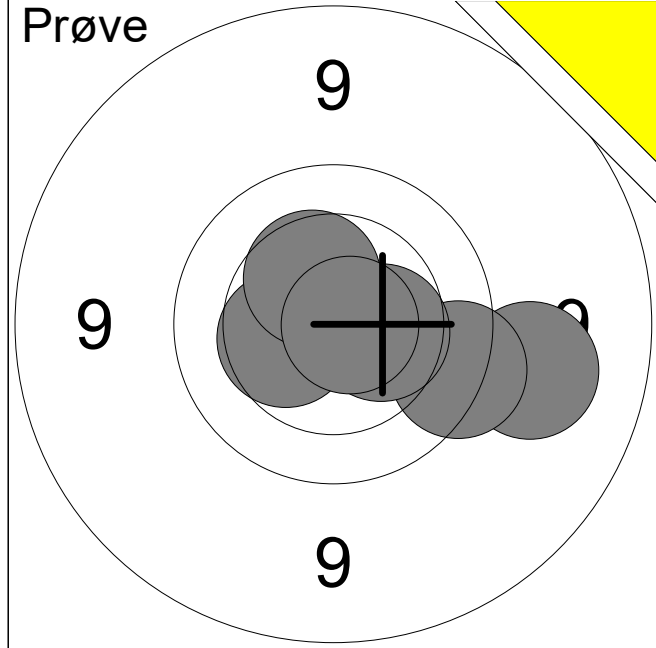


1:	9.5	↗
2:	9.9	↘
3:	9.5	↗
4:	10.0	↘
5:	9.3	↘
6:	10.1	↘
7:	9.5	↗
8:	9.6	↘
9:	9.7	↘
10:	10.1	↘
<b>Serie</b>		<b>93 ( 0x)</b>
<b>Total</b>		<b>93 ( 0x)</b>

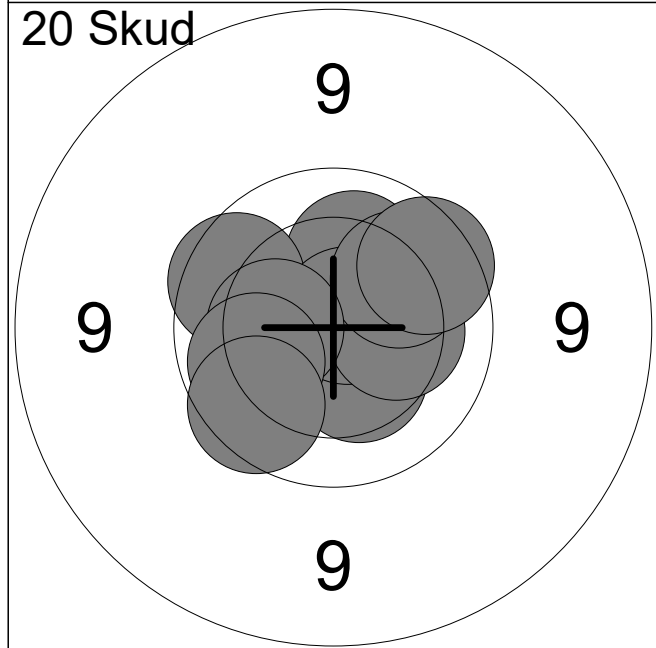


11:	9.9	↘
12:	10.1	↘
13:	10.2	→
14:	10.3	↗
15:	10.7x	←
16:	10.2	↗
17:	9.6	↗
18:	9.8	↗
19:	9.5	←
20:	9.9	↗
<b>Serie</b>		<b>95 ( 1x)</b>
<b>Total</b>		<b>188 ( 1x)</b>

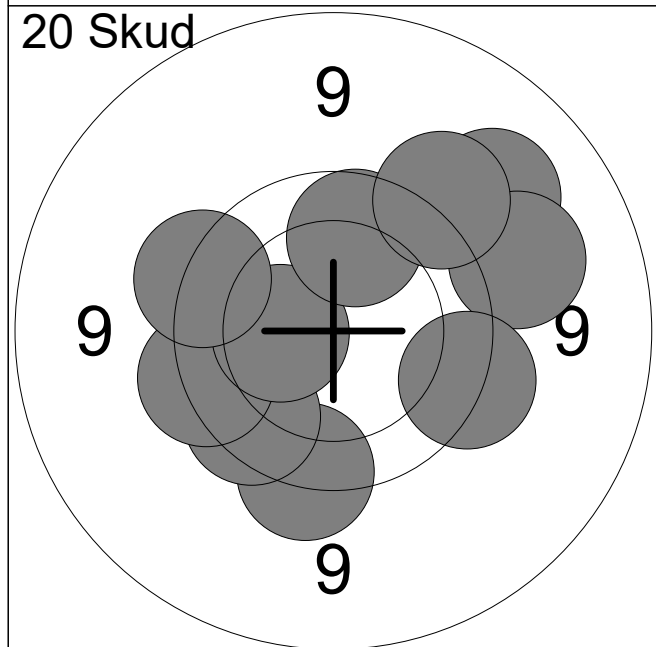
Hold <b>25</b>	Skive <b>4</b>	<b>Kim Liin</b>		
ØSF		Ølstykke Skytteforening		MFR12
18.11.2024		Ølstykke Skydningen 2024		Ølstykke skytteforening
<b>Prøve</b>		1: 9.7 ↓ 2: 10.6x ← 3: 10.3 ↓		
		Serie		29 ( 1x)
		Total		0 ( 0x)
<b>20 Skud</b>		1: 10.7x ↑ 2: 10.2 ↗ 3: 9.8 ↗ 4: 10.5x ↘ 5: 10.9x ↘ 6: 10.4 → 7: 10.2 ↘ 8: 10.4 ↑ 9: 10.4 ↑ 10: 10.5 ↘		
		Serie		99 ( 3x)
		Total		99 ( 3x)
<b>20 Skud</b>		11: 9.4 ↗ 12: 10.5 → 13: 10.4 ↘ 14: 10.3 ↑ 15: 10.3 ↖ 16: 10.7x ↑ 17: 10.4 ↑ 18: 9.8 ↗ 19: 10.4 ↖ 20: 10.7x ↓		
		Serie		98 ( 2x)
		Total		197 ( 5x)



1:	9.3	→
2:	10.4	←
3:	9.7	→
4:	10.4	→
5:	10.4	↗
6:	10.8x	→
<b>Serie</b>		<b>58 ( 1x)</b>
<b>Total</b>		<b>0 ( 0x)</b>



1:	10.2	↑
2:	9.8	↖
3:	10.4	↓
4:	10.7x	↗
5:	10.3	→
6:	10.1	↗
7:	10.3	←
8:	10.0	↖
9:	9.8	↗
10:	9.8	↙
<b>Serie</b>		<b>97 ( 1x)</b>
<b>Total</b>		<b>97 ( 1x)</b>

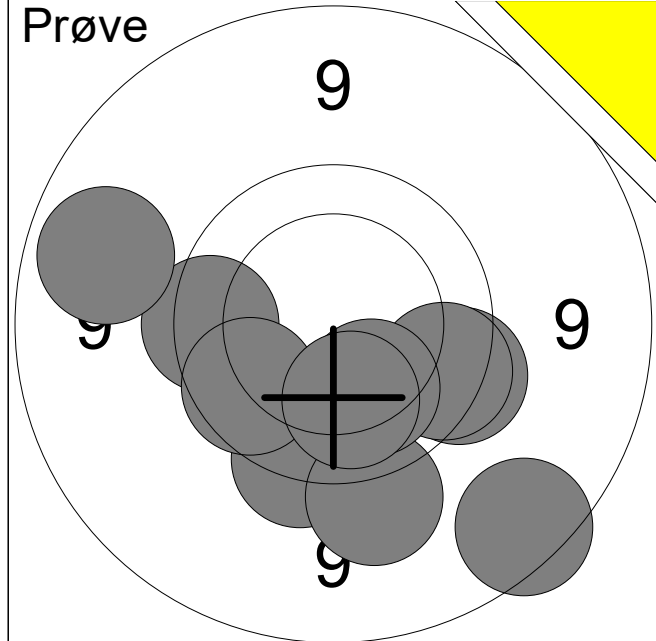


11:	9.6	↓
12:	9.8	↙
13:	9.7	←
14:	9.2	↗
15:	9.3	↗
16:	9.6	→
17:	10.4	←
18:	9.6	↖
19:	9.9	↑
20:	9.5	↗
<b>Serie</b>		<b>91 ( 0x)</b>
<b>Total</b>		<b>188 ( 1x)</b>

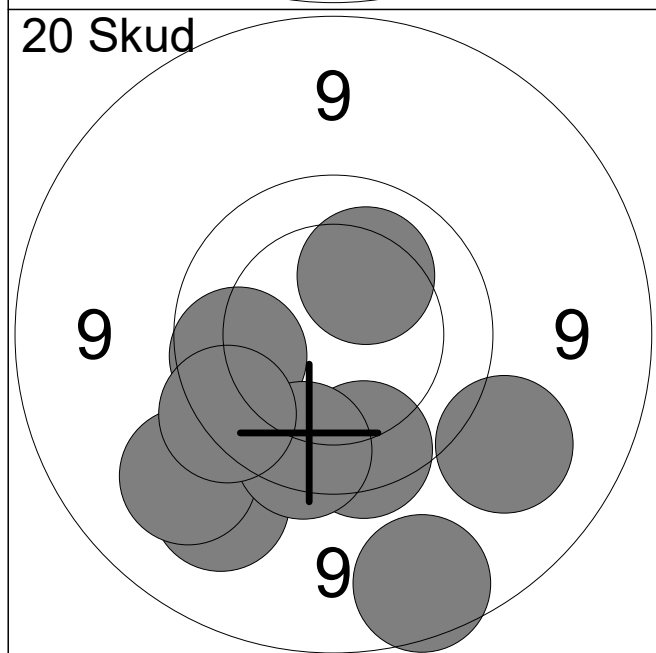
Hold <b>25</b>	Skive <b>10</b>	
-------------------	--------------------	--

ØSF

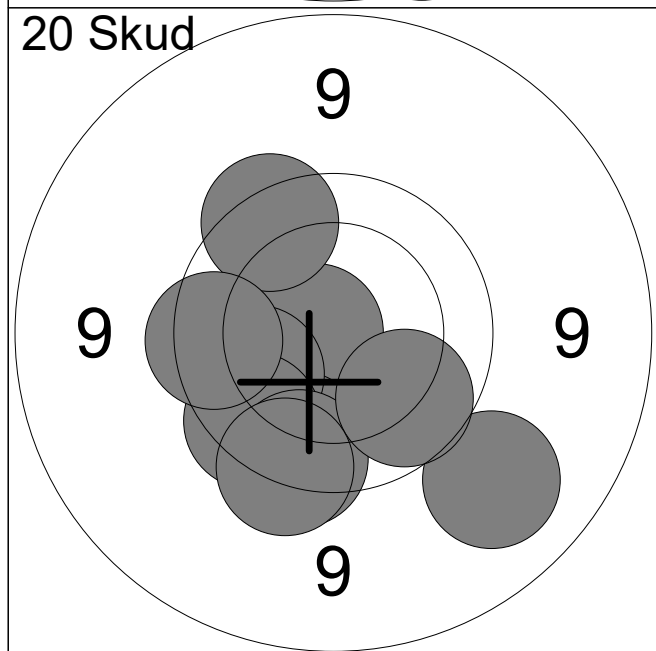
18.11.2024      Ølstykke Skydningen 2024      Ølstykke skytteforening



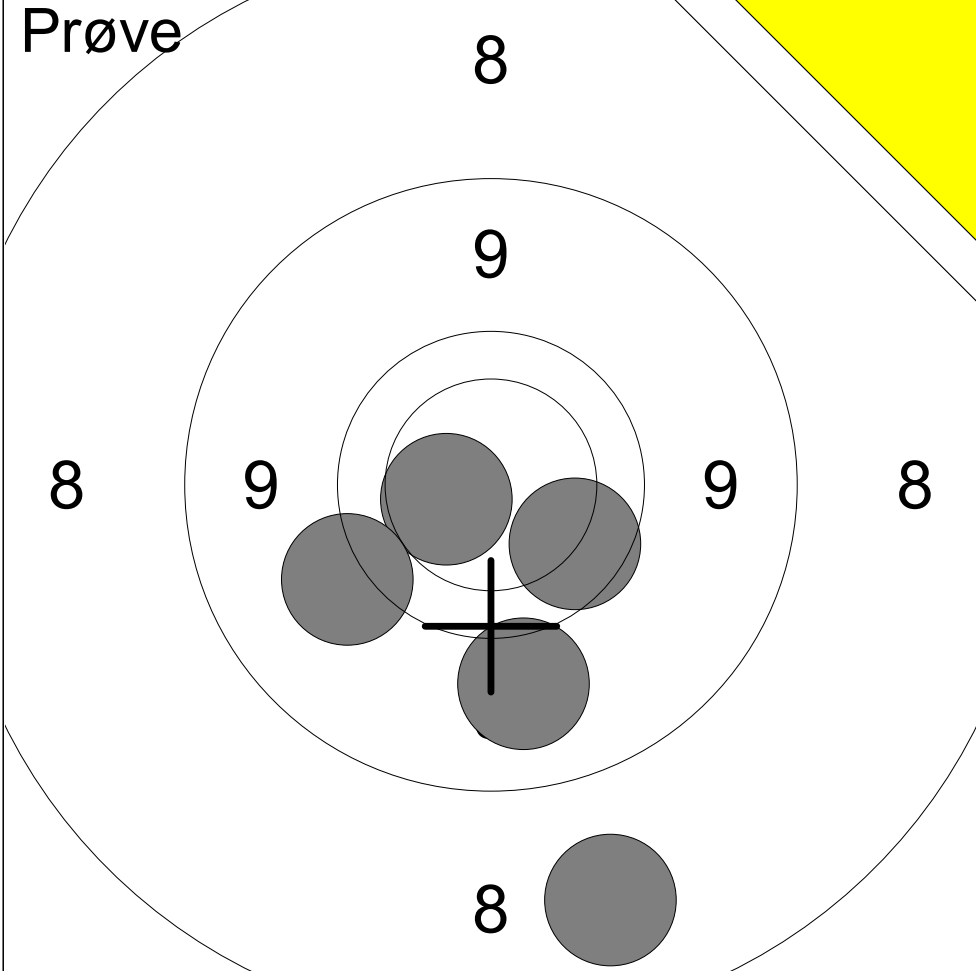
1:	9.5	↓
2:	9.6	→
3:	8.0	↘
4:	9.7	←
5:	9.1	↓
6:	9.7	→
7:	8.5	↖
8:	9.9	↖
9:	10.2	↓
10:	10.2	↓
<b>Serie</b>		<b>90 ( 0x)</b>
<b>Total</b>		<b>0 ( 0x)</b>



1:	8.8	↘
2:	8.2	↓
3:	8.9	↘
4:	10.3	↗
5:	9.5	↖
6:	8.8	↖
7:	9.8	↓
8:	10.0	←
9:	9.7	↓
10:	9.6	↖
<b>Serie</b>		<b>88 ( 0x)</b>
<b>Total</b>		<b>88 ( 0x)</b>

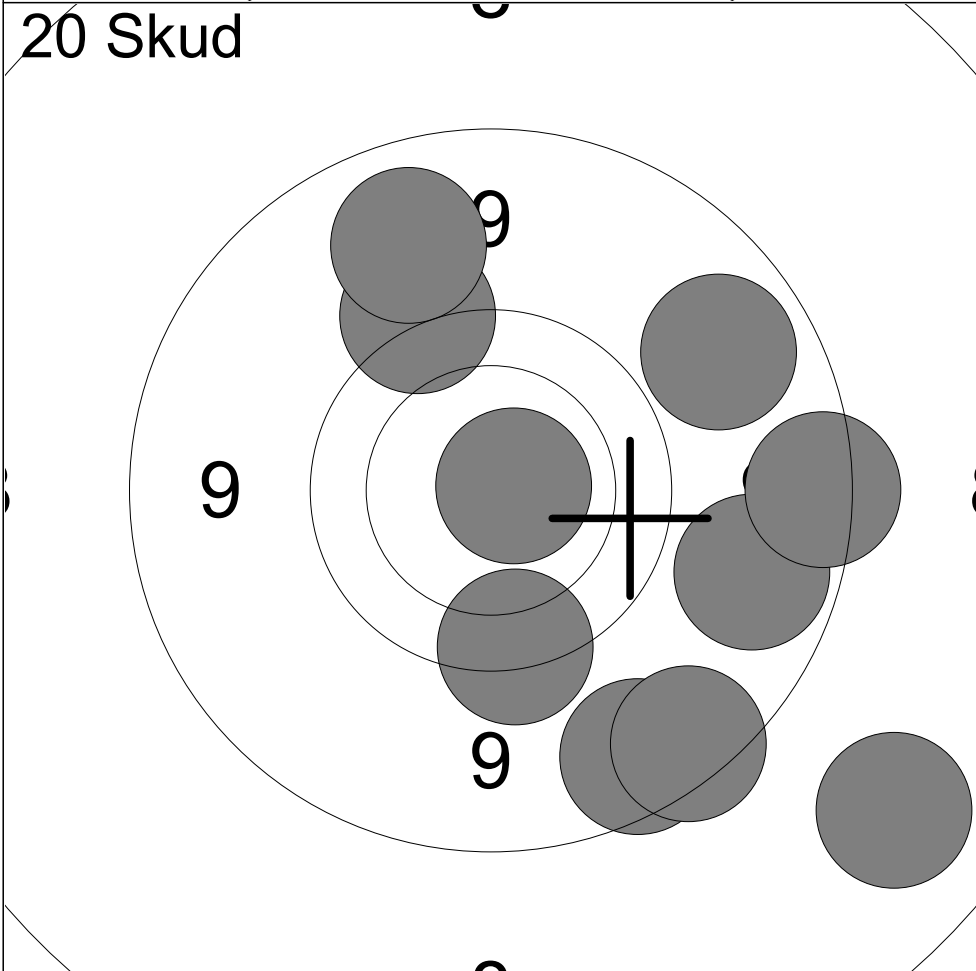


11:	10.8x	←
12:	8.7	↘
13:	9.8	↓
14:	10.1	↖
15:	9.7	↗
16:	9.8	↖
17:	9.6	↓
18:	10.0	↘
19:	9.5	↓
20:	9.7	←
<b>Serie</b>		<b>92 ( 1x)</b>
<b>Total</b>		<b>180 ( 1x)</b>



1:	8.8	↓
2:	6.2	↓
3:	9.9	↘
4:	10.5	↖
5:	9.1	↙

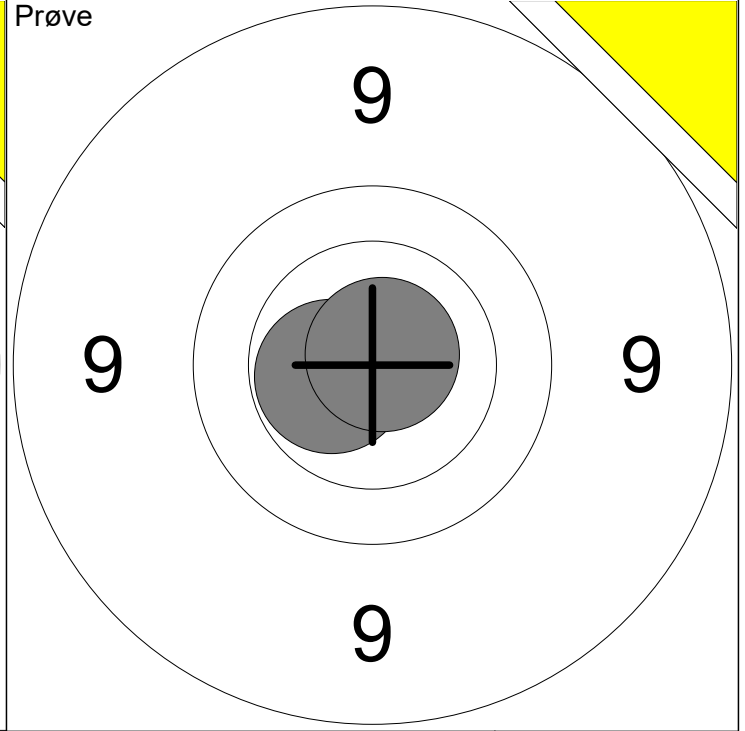
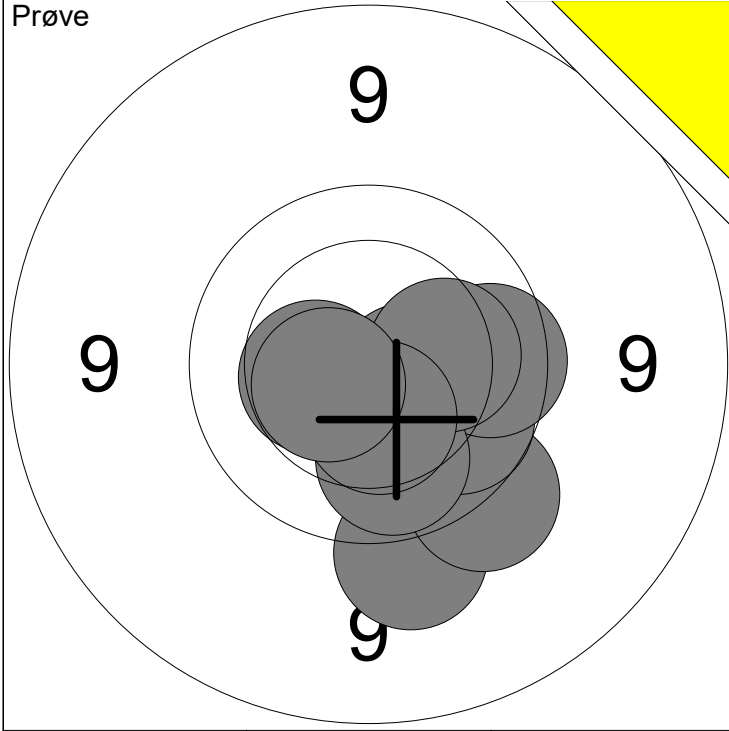
Serie	42 ( 0x)
Total	0 ( 0x)



1:	10.7x	→
2:	8.1	↘
3:	6.1	↘
4:	8.4	↘
5:	7.9	→
6:	9.2	↗
7:	8.5	↗
8:	8.0	↘
9:	8.6	↗
10:	9.5	↓

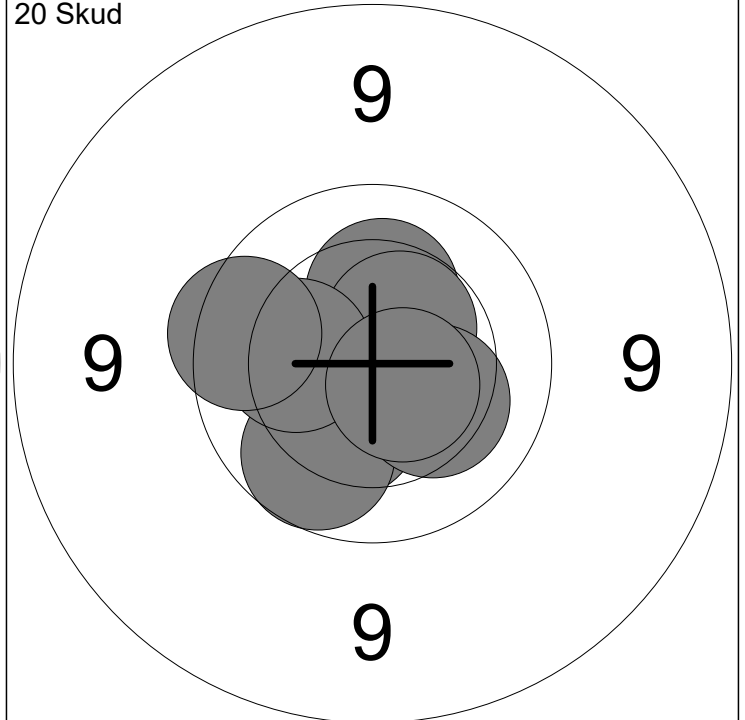
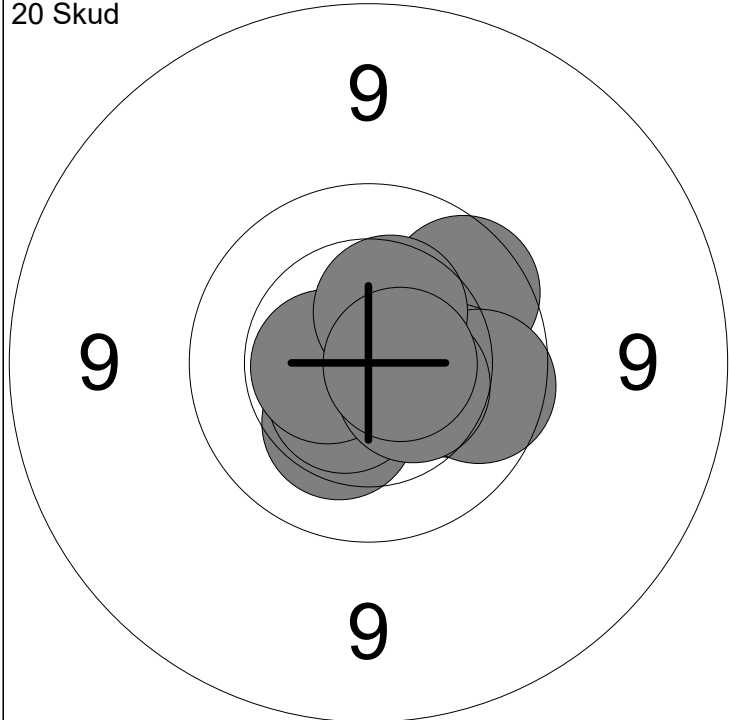
Serie	81 ( 1x)
Total	81 ( 1x)

Hold	Skive	Linus Zvirblis		
26	3	ØSF	Blovstrød SG&I - Skytteafd.	ST2
18.11.2024	Ølstykke Skydningen 2024	Ølstykke skytteforening		
<b>Prøve</b> 	1:	9.5	↙	
	2:	9.2	→	
	3:	9.4	↗	
	4:	8.6	←	
	5:	8.9	↗	
	6:	9.7	↗	
	7:	9.4	↗	
	8:	9.7	↗	
	9:	9.6	←	
	10:	10.3	↘	
	<b>Serie</b>			<b>89 ( 0x)</b>
<b>Total</b>			<b>0 ( 0x)</b>	
<b>20 Skud</b> 	1:	10.4	↘	
	2:	9.1	→	
	3:	8.9	↘	
	4:	9.6	→	
	5:	8.9	↗	
	6:	8.9	←	
	7:	9.1	→	
	8:	9.5	↗	
	9:	9.6	↑	
	10:	9.4	→	
	<b>Serie</b>			<b>88 ( 0x)</b>
<b>Total</b>			<b>88 ( 0x)</b>	
<b>20 Skud</b> 	11:	9.7	←	
	12:	9.8	→	
	13:	9.9	↗	
	14:	9.8	↘	
	15:	9.9	←	
	16:	10.0	←	
	17:	9.7	←	
	18:	9.2	↗	
	19:	9.7	↗	
	20:	10.8x	↘	
	<b>Serie</b>			<b>92 ( 1x)</b>
<b>Total</b>			<b>180 ( 1x)</b>	



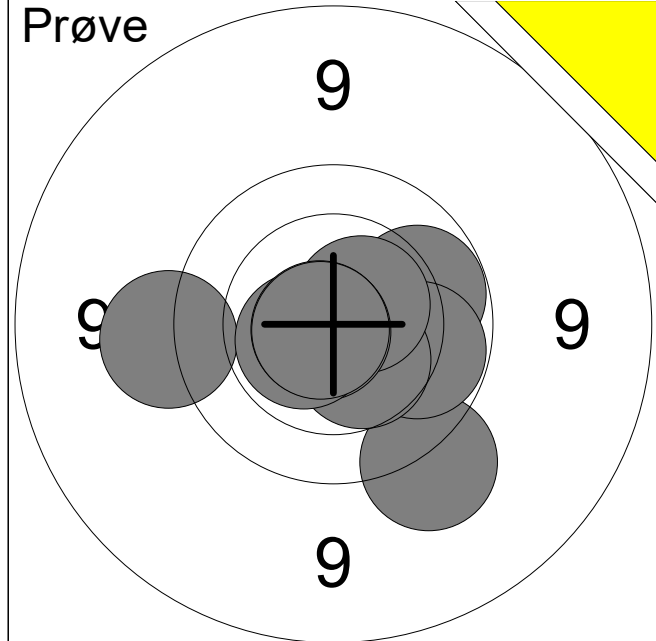
1: 9.4 ↓	6: 10.0 ↓	Serie	96 (2x)
2: 10.5x →	7: 10.2 →		
3: 9.6 ↓	8: 10.4 ←	Total	0 (0x)
4: 9.9 ↓	9: 10.4 ↓		
5: 9.8 →	10: 10.5x ←		

11: 10.5x ←	Serie	20 (2x)
12: 10.8x ↗		
	Total	0 (0x)

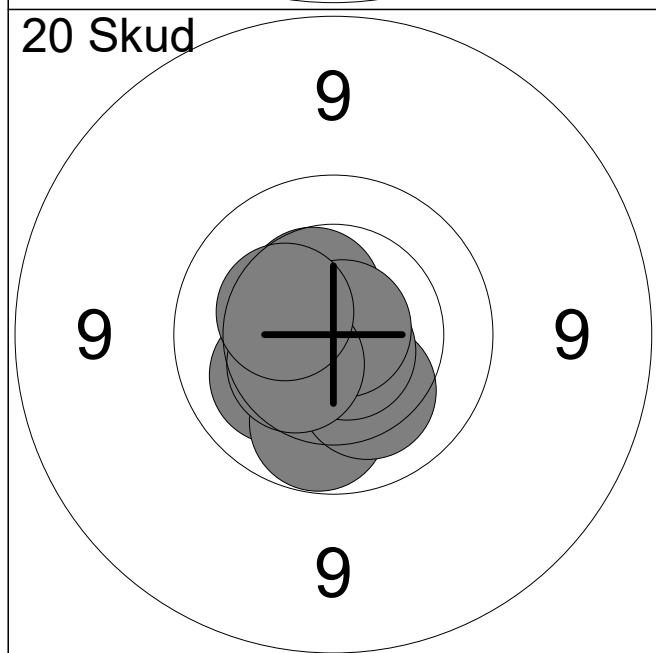


1: 9.9 ↗	6: 10.6x ↓	Serie	98 (4x)
2: 10.3 ↓	7: 10.5x ←		
3: 10.1 →	8: 10.4 ↗	Total	98 (4x)
4: 9.9 →	9: 10.5 →		
5: 10.7x ←	10: 10.6x →		

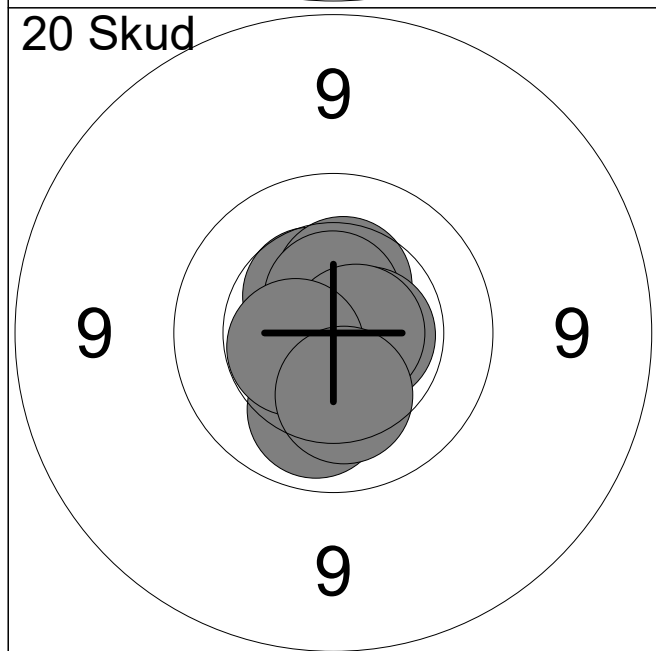
11: 10.3 ↓	16: 10.5x ↗	Serie	98 (4x)
12: 10.5x ←	17: 10.3 ↓		
13: 10.6x ←	18: 10.2 ←	Total	196 (8x)
14: 9.9 ↓	19: 9.8 ←		
15: 10.3 ↑	20: 10.6x ↓		



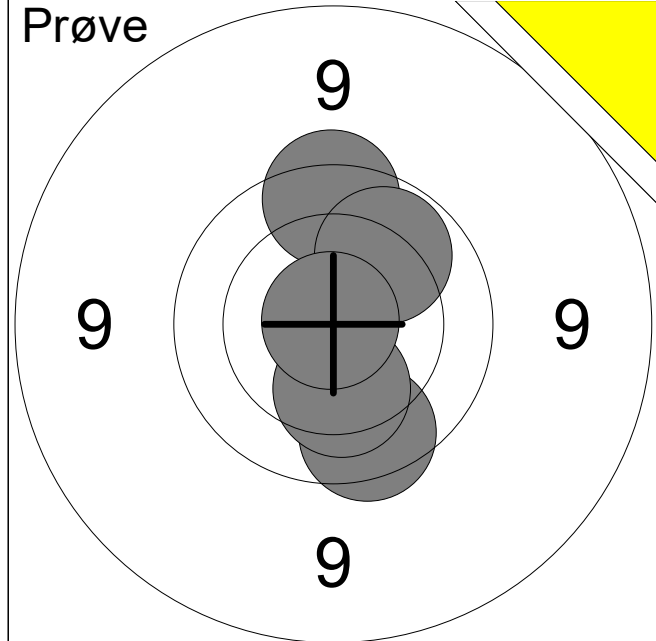
1:	9.5	↘
2:	10.0	→
3:	10.0	→
4:	10.5	↘
5:	10.6x	↗
6:	9.5	←
7:	10.8x	↙
8:	10.6x	↙
9:	10.8x	↙
10:	10.8x	↙
<b>Serie</b>		<b>98 ( 5x)</b>
<b>Total</b>		<b>0 ( 0x)</b>



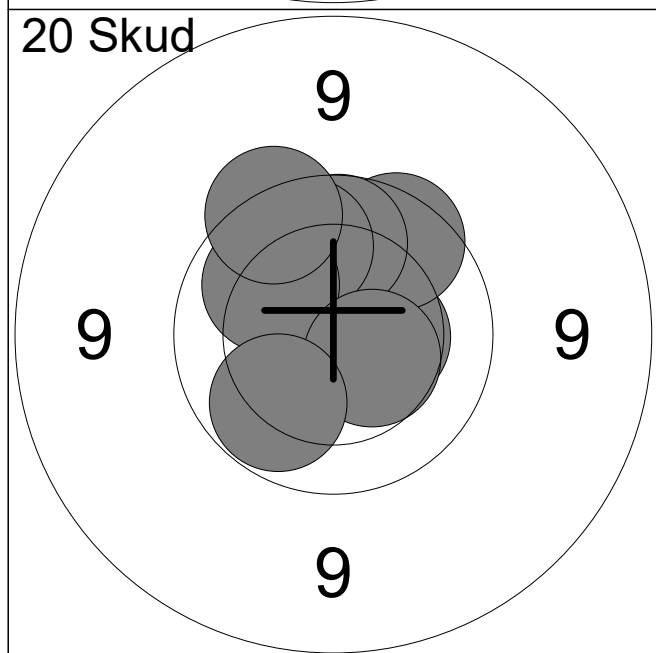
1:	10.2	↙
2:	10.5x	←
3:	10.0	↘
4:	10.7x	↗
5:	10.2	↘
6:	10.5	↗
7:	10.7x	↘
8:	10.8x	↗
9:	10.4	↙
10:	10.4	↙
<b>Serie</b>		<b>100 ( 4x)</b>
<b>Total</b>		<b>100 ( 4x)</b>



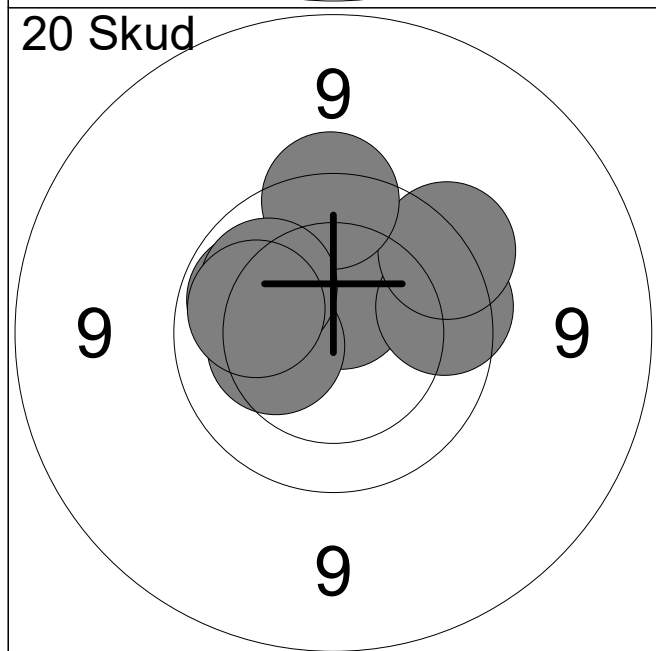
11:	10.5	↗
12:	10.4	↑
13:	10.6x	↑
14:	10.6x	↘
15:	10.6x	→
16:	10.1	↘
17:	10.5x	↘
18:	10.7x	→
19:	10.5x	←
20:	10.3	↘
<b>Serie</b>		<b>100 ( 6x)</b>
<b>Total</b>		<b>200 (10x)</b>



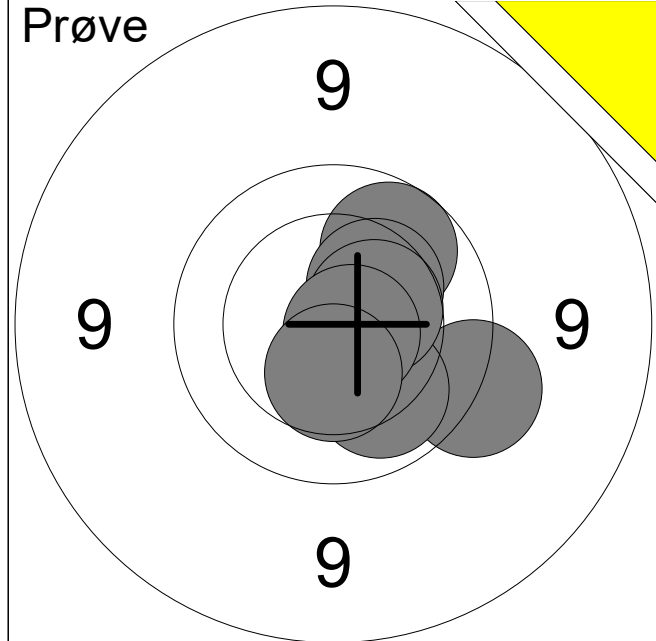
1:	9.8	↓
2:	9.7	↑
3:	10.0	↗
4:	10.2	↓
5:	10.9x	↗
<b>Serie</b>		<b>48 ( 1x)</b>
<b>Total</b>		<b>0 ( 0x)</b>



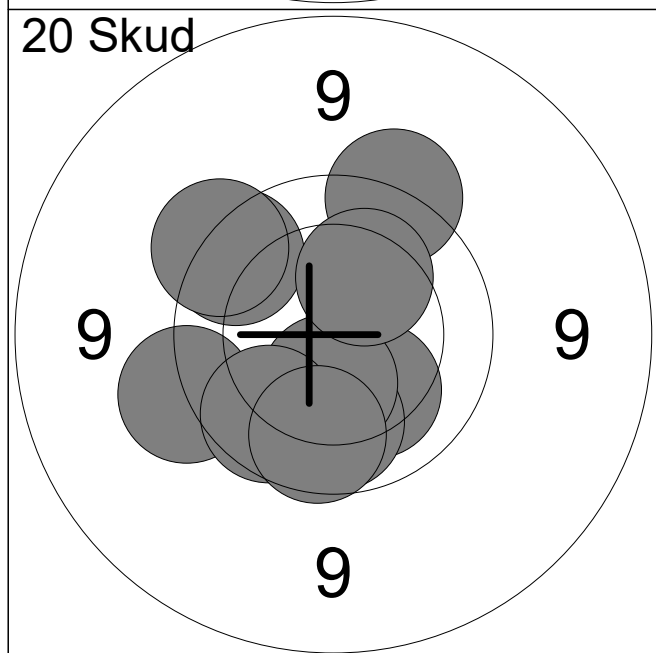
1:	10.1	↗
2:	10.4	→
3:	9.8	↗
4:	10.7x	↗
5:	9.9	↑
6:	9.9	↑
7:	10.1	↗
8:	10.5	↘
9:	10.0	↘
10:	9.7	↗
<b>Serie</b>		<b>96 ( 1x)</b>
<b>Total</b>		<b>96 ( 1x)</b>



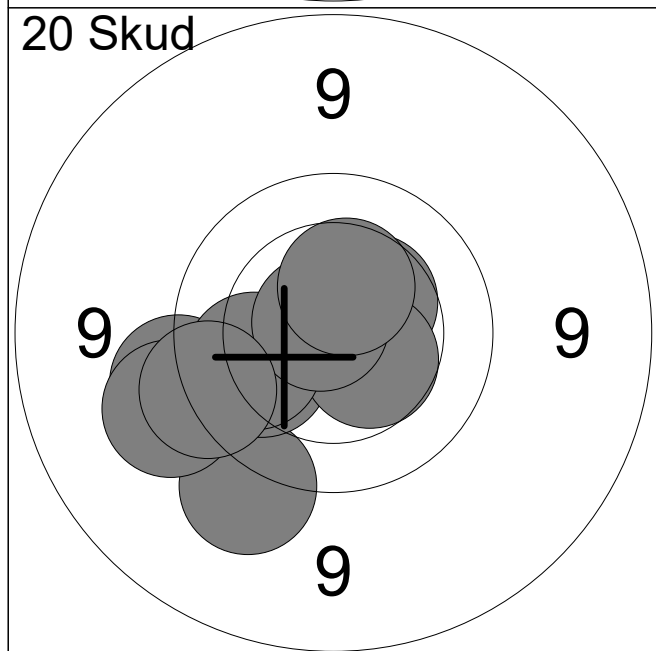
11:	10.0	↖
12:	10.2	↑
13:	9.8	↗
14:	10.6x	↑
15:	9.8	→
16:	9.6	↗
17:	9.7	↑
18:	10.3	↖
19:	10.1	↗
20:	10.1	↖
<b>Serie</b>		<b>96 ( 1x)</b>
<b>Total</b>		<b>192 ( 2x)</b>



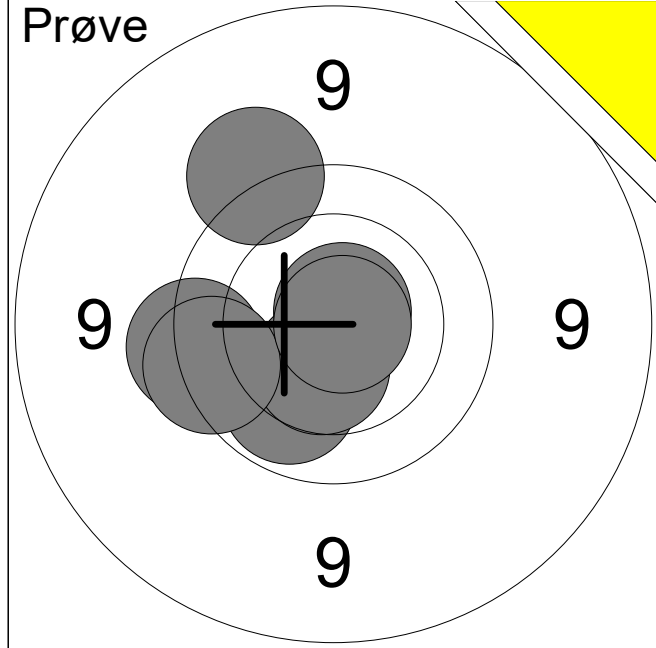
1:	9.6	➔
2:	10.1	⬇
3:	9.9	↗
4:	10.3	↗
5:	10.5	➔
6:	10.7x	⬇
7:	10.4	⬇
<b>Serie</b>		<b>68 ( 1x)</b>
<b>Total</b>		<b>0 ( 0x)</b>



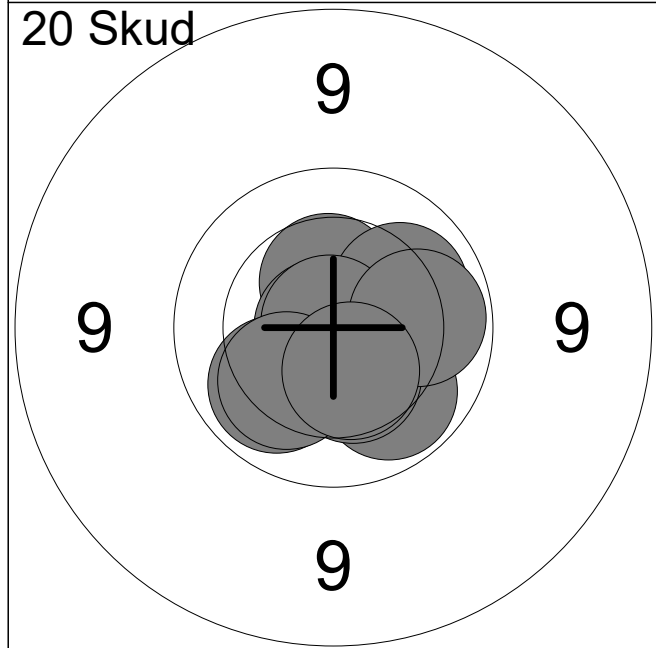
1:	9.7	↖
2:	10.2	⬇
3:	10.0	⬇
4:	9.5	⬅
5:	9.6	↖
6:	9.6	↗
7:	10.4	⬇
8:	9.9	⬇
9:	9.9	⬇
10:	10.2	↗
<b>Serie</b>		<b>94 ( 0x)</b>
<b>Total</b>		<b>94 ( 0x)</b>



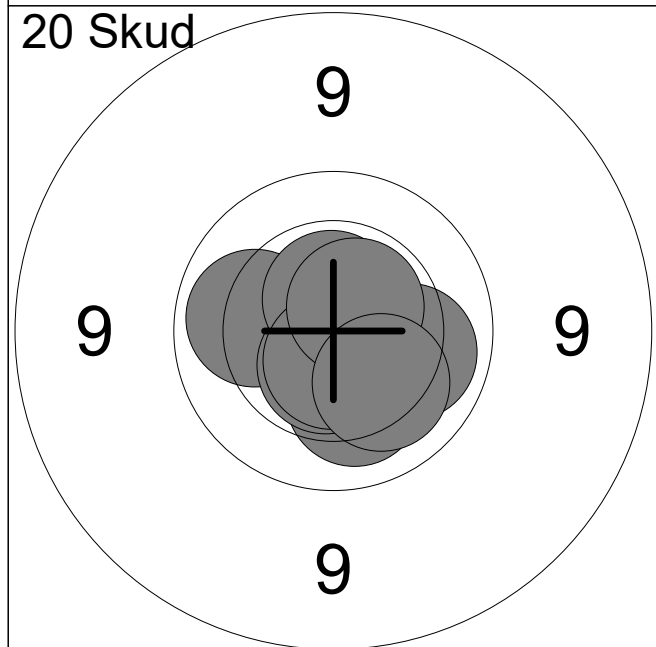
11:	9.4	⬇
12:	10.1	⬅
13:	9.5	⬅
14:	10.4	↗
15:	10.5	⬇
16:	10.0	⬅
17:	10.8x	↖
18:	10.4	↗
19:	9.4	⬅
20:	9.7	⬅
<b>Serie</b>		<b>96 ( 1x)</b>
<b>Total</b>		<b>190 ( 1x)</b>



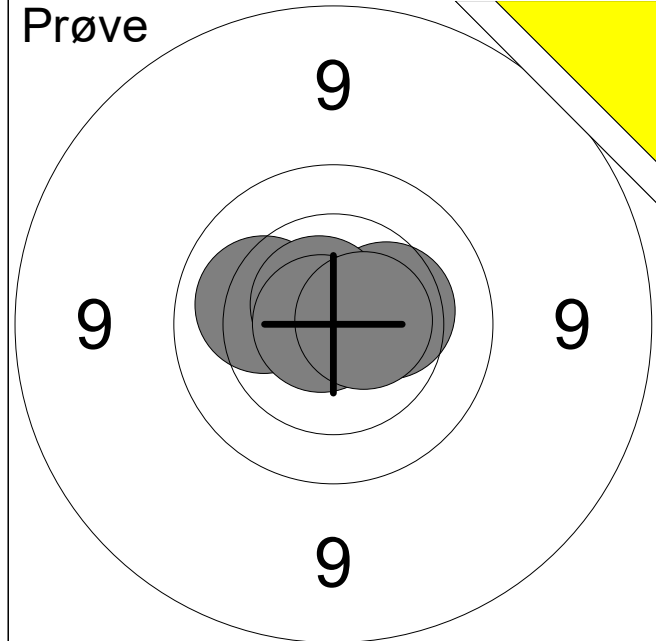
1:	9.5	↗
2:	9.6	←
3:	10.0	↘
4:	10.5	↘
5:	10.8x	↗
6:	9.7	←
7:	10.8x	→
<b>Serie</b>		<b>67 ( 2x)</b>
<b>Total</b>		<b>0 ( 0x)</b>



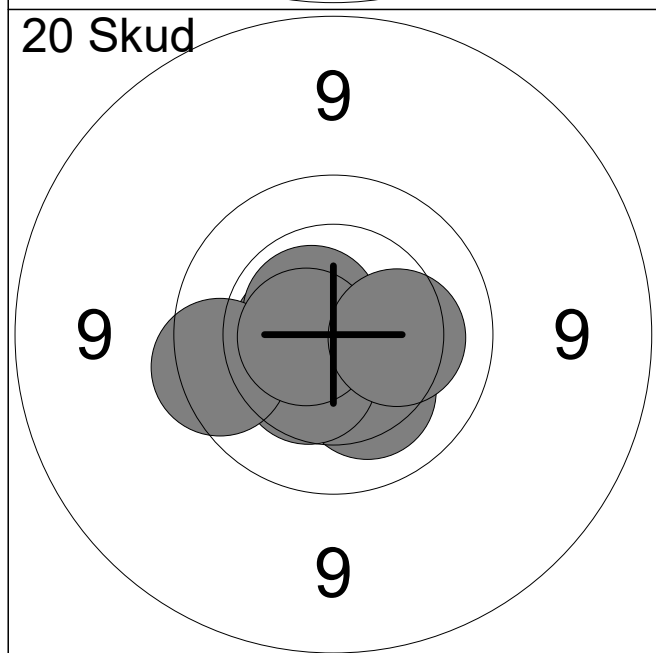
1:	10.4	↑
2:	10.8x	←
3:	10.1	↗
4:	10.0	↘
5:	10.4	↘
6:	10.9x	↗
7:	10.1	↘
8:	10.0	→
9:	10.2	↘
10:	10.4	↘
<b>Serie</b>		<b>100 ( 2x)</b>
<b>Total</b>		<b>100 ( 2x)</b>



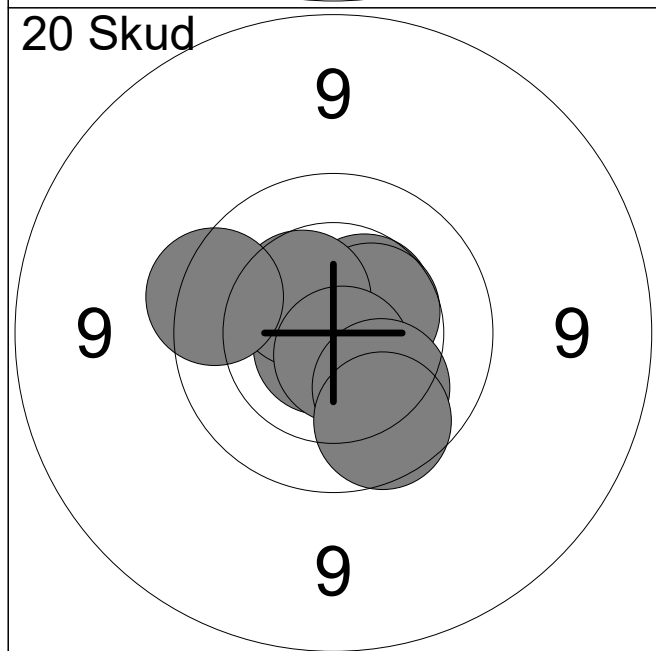
11:	10.2	↘
12:	10.1	←
13:	10.6x	↘
14:	10.6x	↘
15:	10.6x	↑
16:	10.5	↘
17:	10.6x	↘
18:	10.1	→
19:	10.6x	↗
20:	10.2	↘
<b>Serie</b>		<b>100 ( 5x)</b>
<b>Total</b>		<b>200 ( 7x)</b>



1:	10.2	←
2:	10.4	→
3:	10.7x	↗
4:	10.8x	←
5:	10.6x	→
<b>Serie</b>		<b>50 ( 3x)</b>
<b>Total</b>		<b>0 ( 0x)</b>

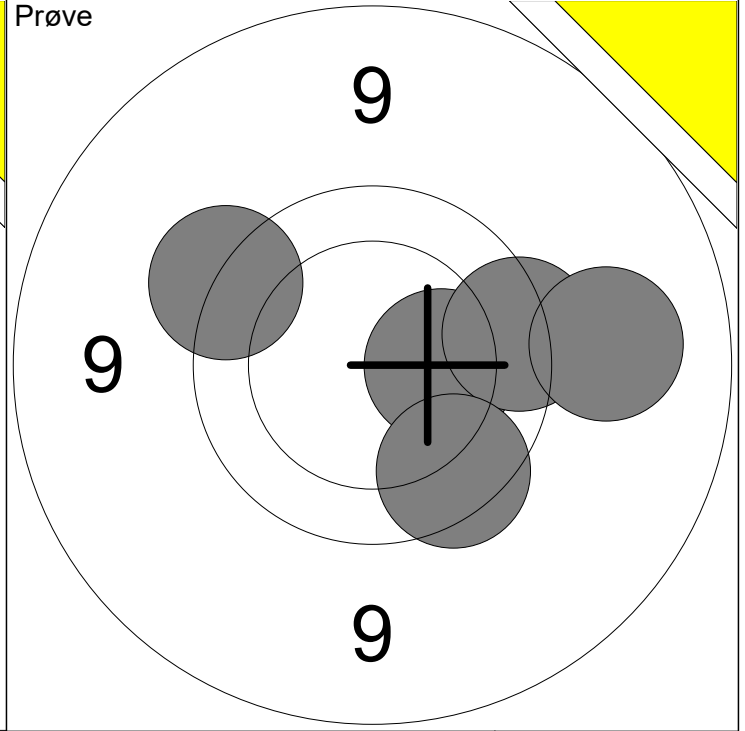
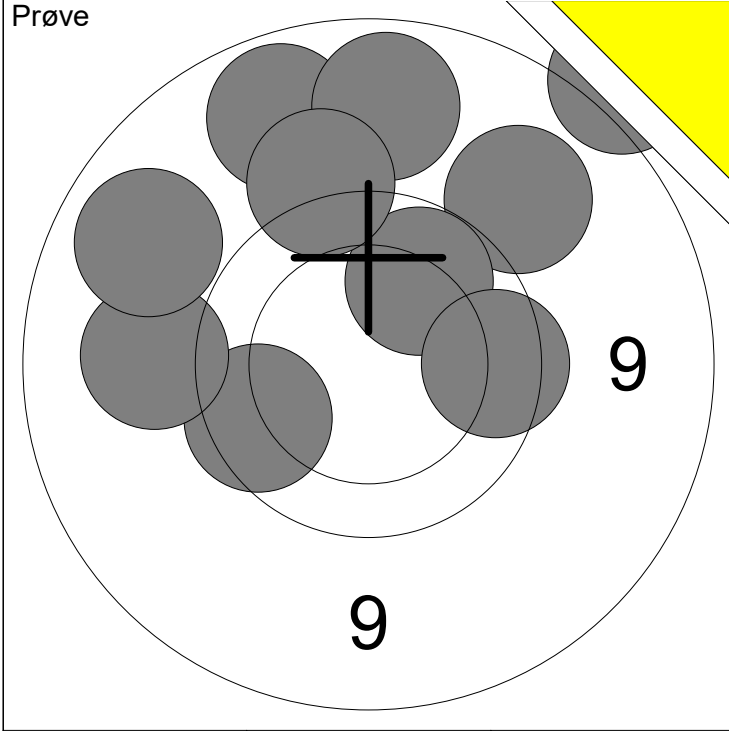


1:	10.6x	↓
2:	10.6x	←
3:	10.8x	↙
4:	10.6x	↗
5:	10.8x	↓
6:	10.2	↘
7:	10.4	↘
8:	9.8	←
9:	10.7x	←
10:	10.2	→
<b>Serie</b>		<b>99 ( 6x)</b>
<b>Total</b>		<b>99 ( 6x)</b>



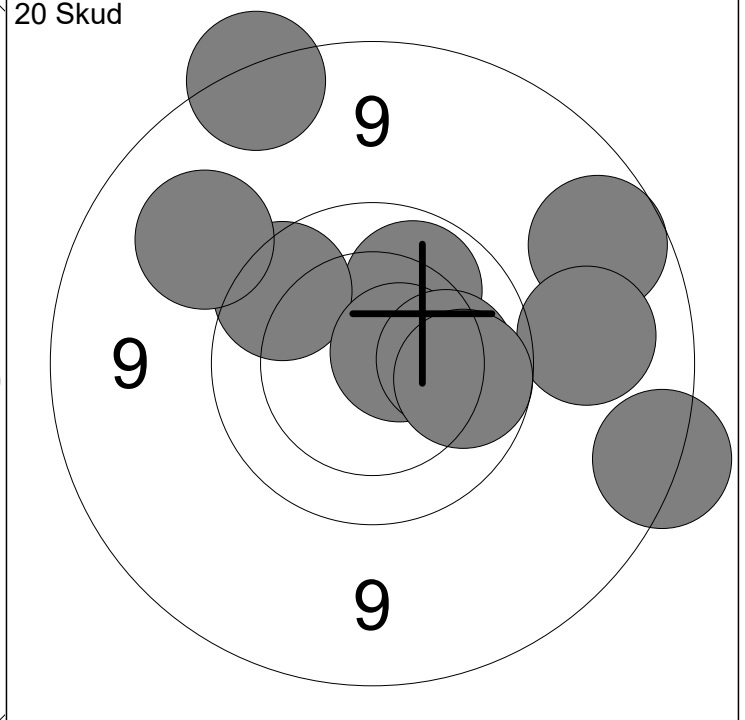
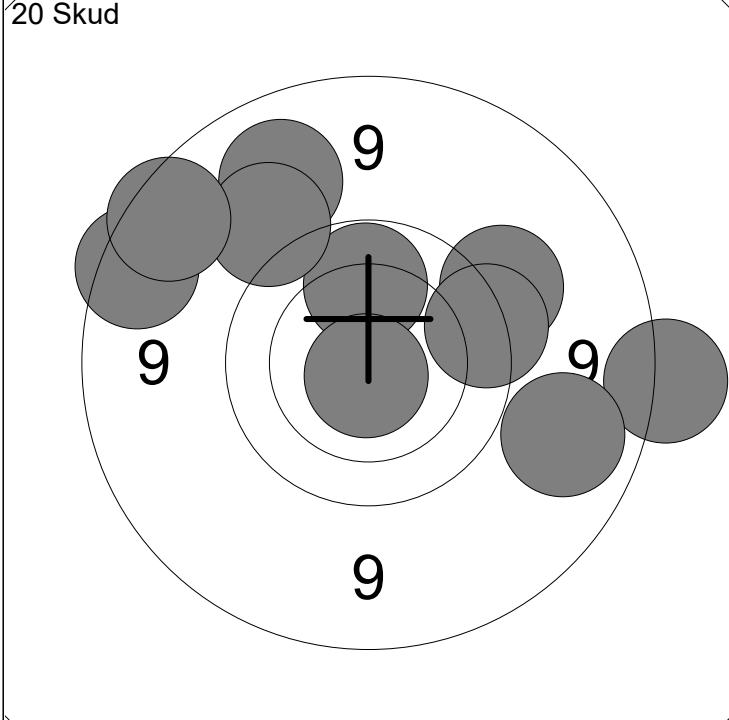
11:	10.5	↗
12:	10.9x	↓
13:	10.5	↘
14:	10.8x	↘
15:	10.5	↗
16:	10.4	↗
17:	9.7	←
18:	10.7x	↘
19:	10.1	↘
20:	9.9	↘
<b>Serie</b>		<b>98 ( 3x)</b>
<b>Total</b>		<b>197 ( 9x)</b>

Hold	Skive	Bjarne Binder		
28	2	Østykke Skytteforening		Å1
18.11.2024	Østykke Skydningen 2024	Østykke skytteforening		
Prøve		1:	9.8	↗
		2:	9.8	↑
		3:	10.5x	↖
		4:	10.4	↘
		5:	10.1	↓
		6:	10.2	↘
		7:	10.1	↓
		8:	10.5x	→
	Serie	78 ( 2x)		
	Total	0 ( 0x)		
20 Skud		1:	10.4	↑
		2:	10.7x	↓
		3:	10.7x	↗
		4:	10.3	↘
		5:	10.1	→
		6:	10.2	←
		7:	10.5	↘
		8:	10.1	←
		9:	10.6x	↑
		10:	10.0	↑
	Serie	100 ( 3x)		
	Total	100 ( 3x)		
20 Skud		11:	10.7x	→
		12:	10.3	→
		13:	10.1	↓
		14:	9.9	↖
		15:	10.6x	↗
		16:	10.6x	↓
		17:	10.8x	→
		18:	10.1	↑
		19:	10.6x	↓
		20:	10.6x	↘
	Serie	99 ( 6x)		
	Total	199 ( 9x)		



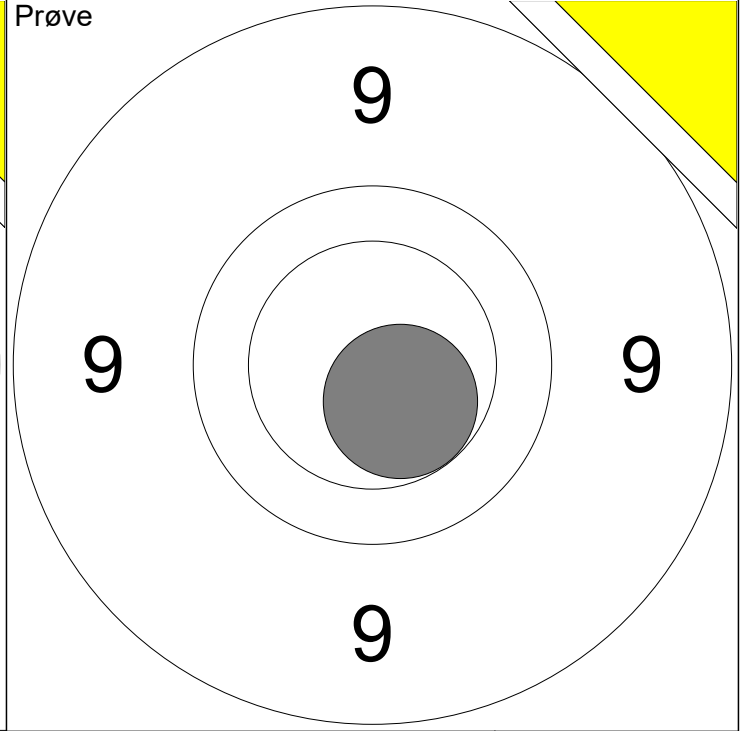
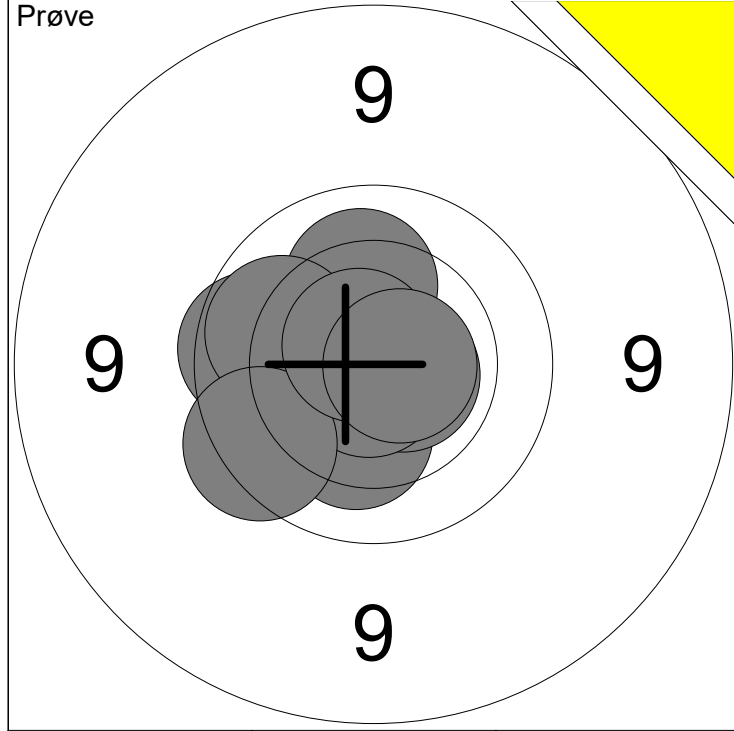
1: 9.8 ↙	6: 8.5 ↗	Serie	90 (0x)
2: 9.2 ↗	7: 9.0 ↑		
3: 9.3 ↙	8: 9.4 ↑	Total	0 (0x)
4: 10.0 ↗	9: 9.1 ↙		
5: 9.0 ↗	10: 9.8 →		

11: 10.3 →	Serie	46 (0x)
12: 9.7 →		
13: 9.8 ↙	Total	0 (0x)
14: 9.2 →		
15: 9.6 ↗		



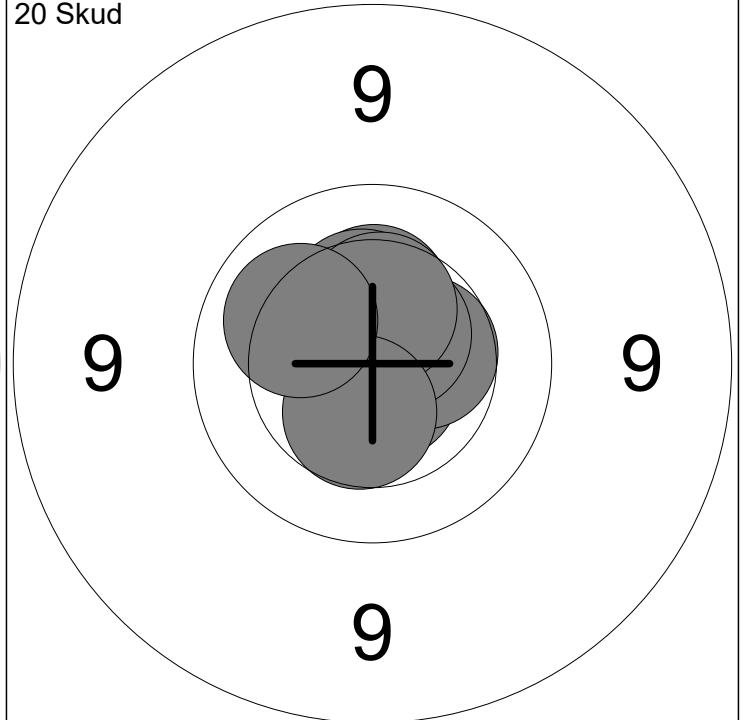
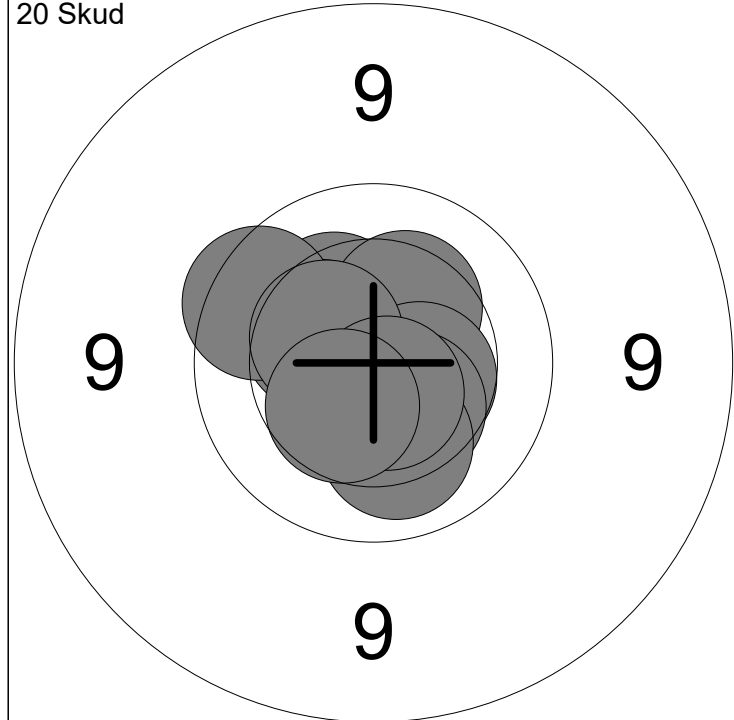
1: 9.4 ↗	6: 8.6 →	Serie	89 (1x)
2: 9.7 →	7: 8.8 ↙		
3: 10.0 ↑	8: 9.1 →	Total	89 (1x)
4: 10.8x ↓	9: 9.3 ↗		
5: 9.1 ↗	10: 8.9 ↙		

11: 10.0 ↗	16: 8.9 ↗	Serie	91 (1x)
12: 9.8 ↙	17: 9.2 ↙		
13: 8.7 →	18: 8.7 ↗	Total	180 (2x)
14: 10.6x →	19: 9.2 →		
15: 10.1 →	20: 10.0 →		



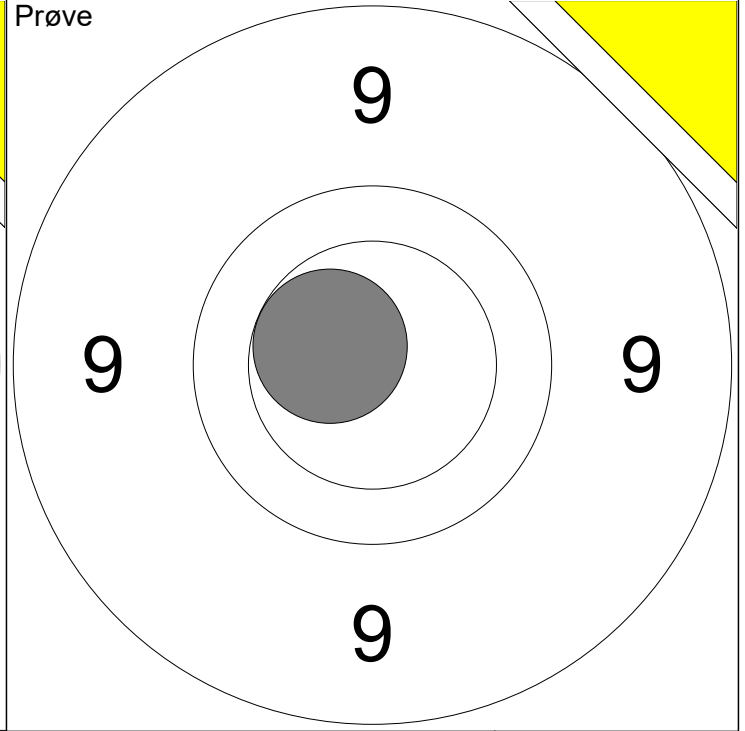
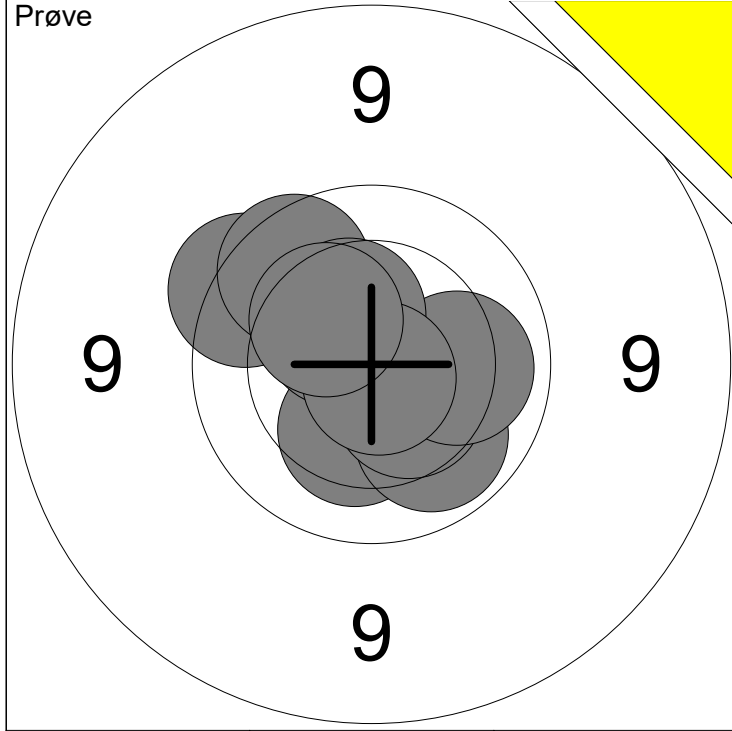
1: 10.2 ↗	6: 10.0 ↖	Serie	98 ( 5x)
2: 10.7x ↓	7: 10.8x ↓		
3: 10.3 ↓	8: 9.7 ↖	Total	0 ( 0x)
4: 9.9 ↖	9: 10.7x ↗		
5: 10.6x →	10: 10.7x →		

11: 10.5x ↘		Serie	10 ( 1x)
		Total	0 ( 0x)



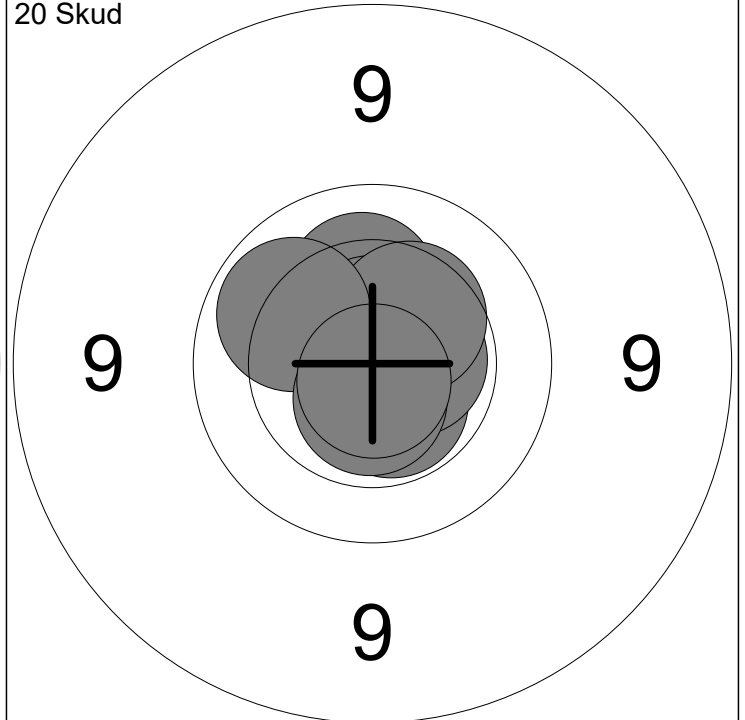
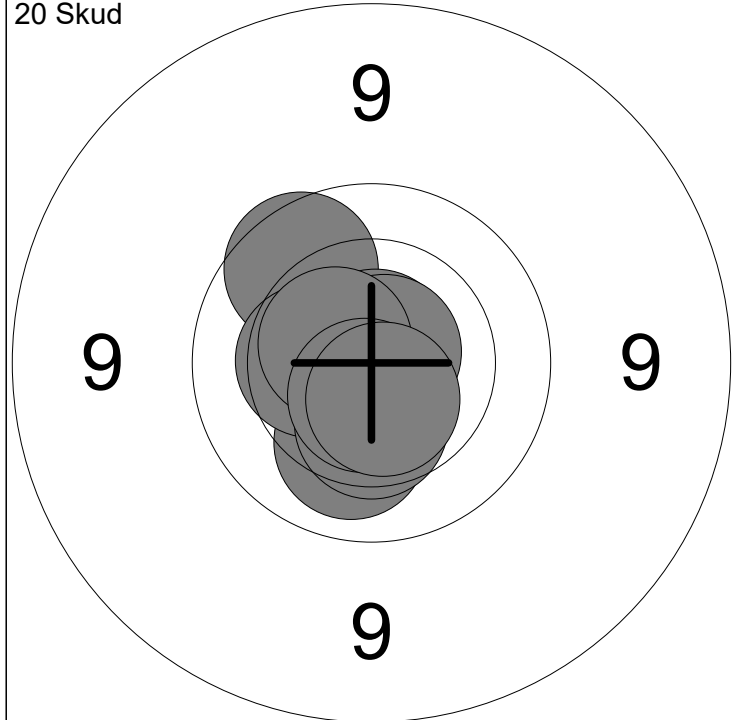
1: 10.3 ↗	6: 10.4 ↘	Serie	99 ( 1x)
2: 10.4 ↗	7: 10.4 ↗		
3: 9.8 ↗	8: 10.1 ↘	Total	99 ( 1x)
4: 10.3 ↗	9: 10.6x ↘		
5: 10.5 →	10: 10.4 ↘		

11: 10.7x ↘	16: 10.6x ↗	Serie	100 ( 4x)
12: 10.3 ↗	17: 10.6x ↖		
13: 10.8x ↗	18: 10.4 ↗	Total	199 ( 5x)
14: 10.4 ↗	19: 10.5 ↓		
15: 10.5 →	20: 10.1 ↖		



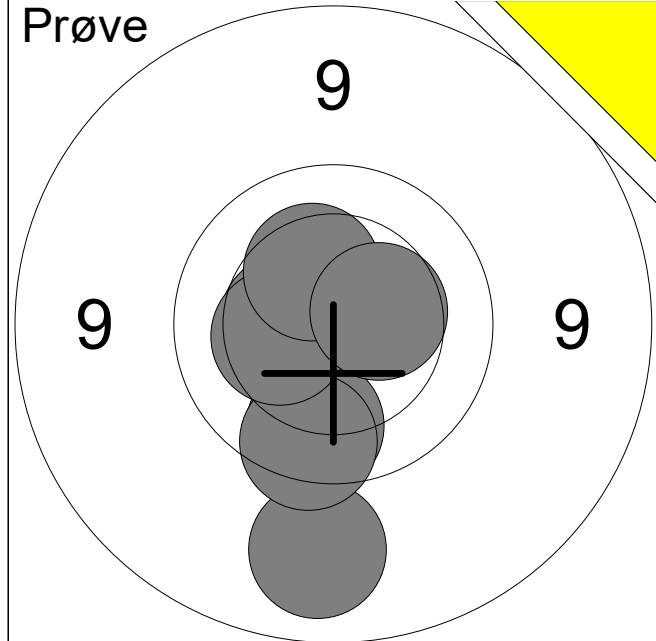
1: 10.3 ↓	6: 9.8 ↗	Serie 98 ( 1x)
2: 10.0 ↓	7: 10.5 ↗	
3: 10.4 ↓	8: 10.4 ↗	Total 0 ( 0x)
4: 9.7 ↗	9: 10.8x ↓	
5: 10.1 →	10: 10.3 ↗	

11: 10.5x ↖	Serie 10 ( 1x)
	Total 0 ( 0x)

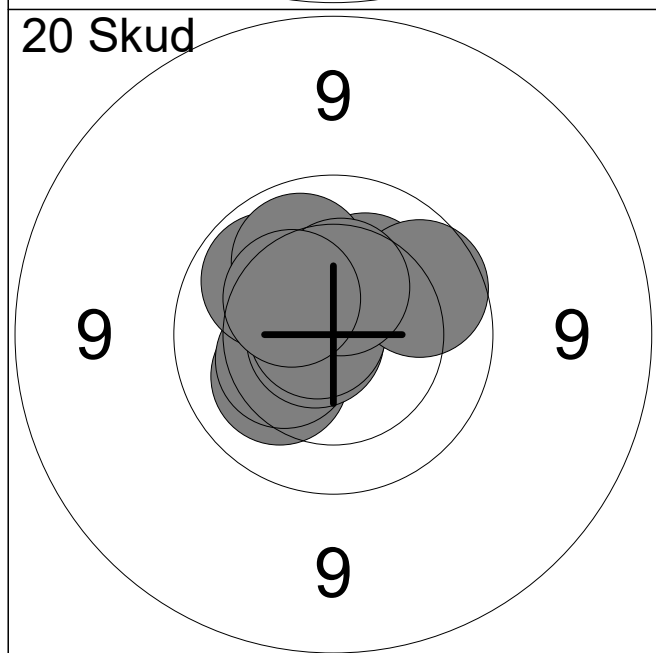


1: 9.9 ↗	6: 10.8x ↗	Serie 99 ( 6x)
2: 10.1 ↓	7: 10.5x ↖	
3: 10.5x ↖	8: 10.4 ↓	Total 99 ( 6x)
4: 10.4 ↖	9: 10.6x ↓	
5: 10.8x ↗	10: 10.6x ↓	

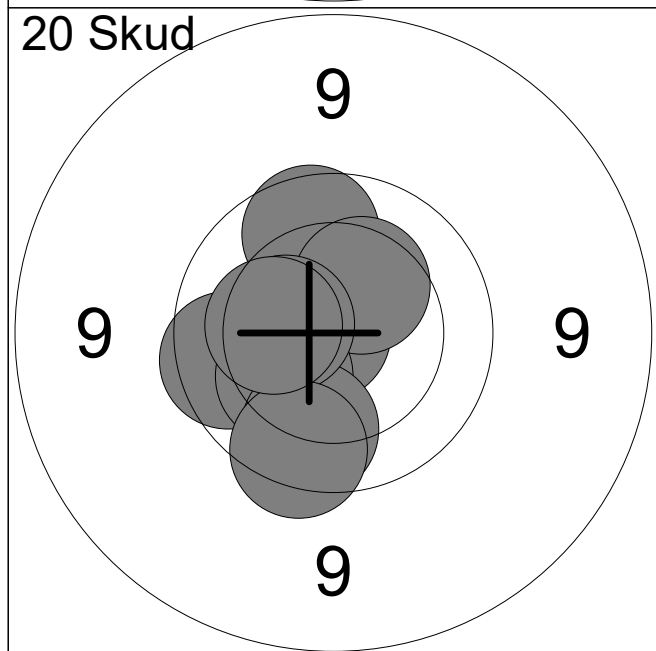
11: 10.2 ↗	16: 10.6x →	Serie 100 ( 7x)
12: 10.6x ↗	17: 10.4 ↗	
13: 10.8x ↖	18: 10.0 ↖	Total 199 ( 13x)
14: 10.5x ↓	19: 10.6x ↓	
15: 10.7x ↗	20: 10.8x ↓	



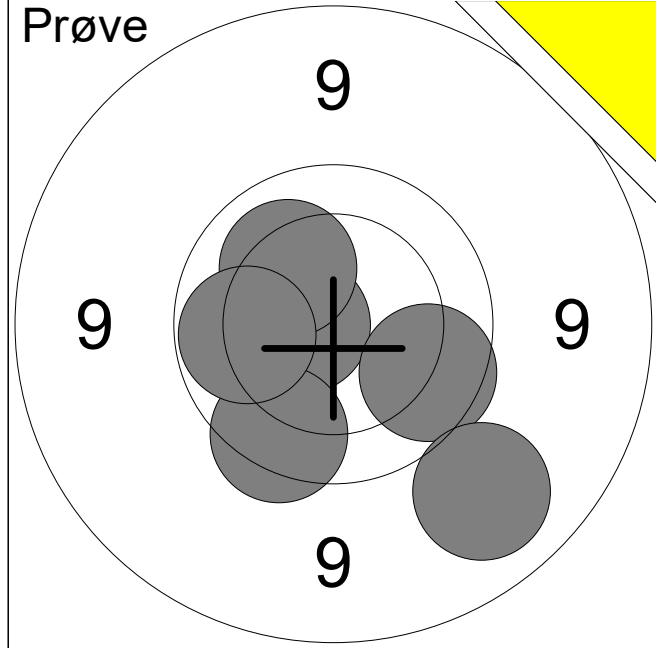
1:	9.1	↓
2:	9.9	↓
3:	9.8	↓
4:	10.5	←
5:	10.3	←
6:	10.3	↑
7:	10.4	→
<b>Serie</b>		<b>67 ( 0x)</b>
<b>Total</b>		<b>0 ( 0x)</b>



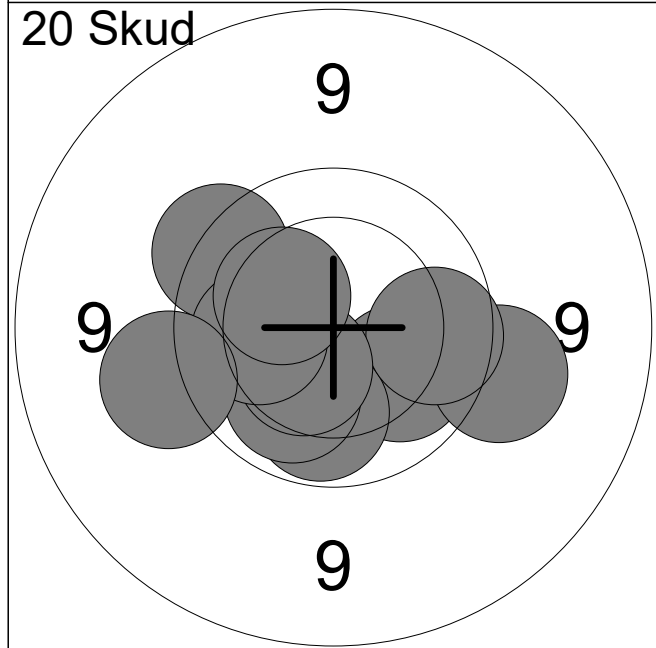
1:	10.2	↙
2:	10.3	↙
3:	10.7x	←
4:	10.3	↗
5:	10.8x	←
6:	9.9	↗
7:	10.0	↗
8:	10.1	↑
9:	10.4	↑
10:	10.3	↖
<b>Serie</b>		<b>99 ( 2x)</b>
<b>Total</b>		<b>99 ( 2x)</b>



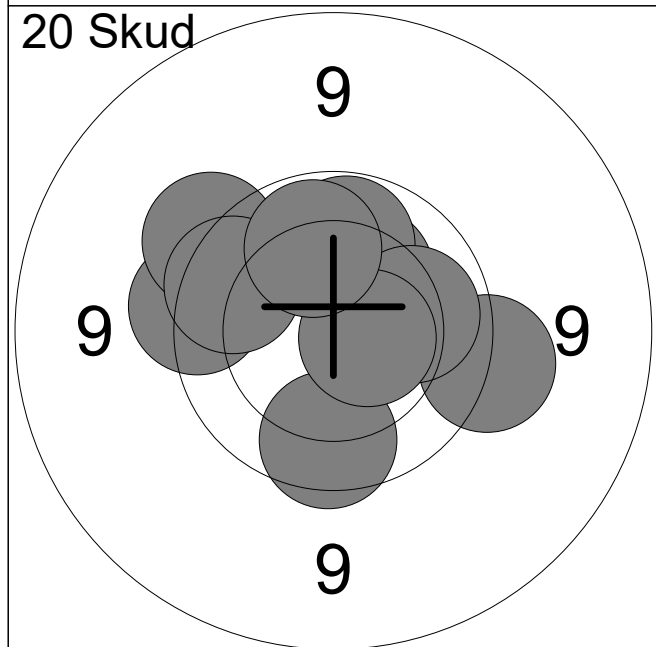
11:	10.4	←
12:	9.9	↑
13:	10.8x	←
14:	9.8	←
15:	10.3	↗
16:	10.2	↙
17:	9.9	↓
18:	10.4	←
19:	9.8	↓
20:	10.3	←
<b>Serie</b>		<b>96 ( 1x)</b>
<b>Total</b>		<b>195 ( 3x)</b>



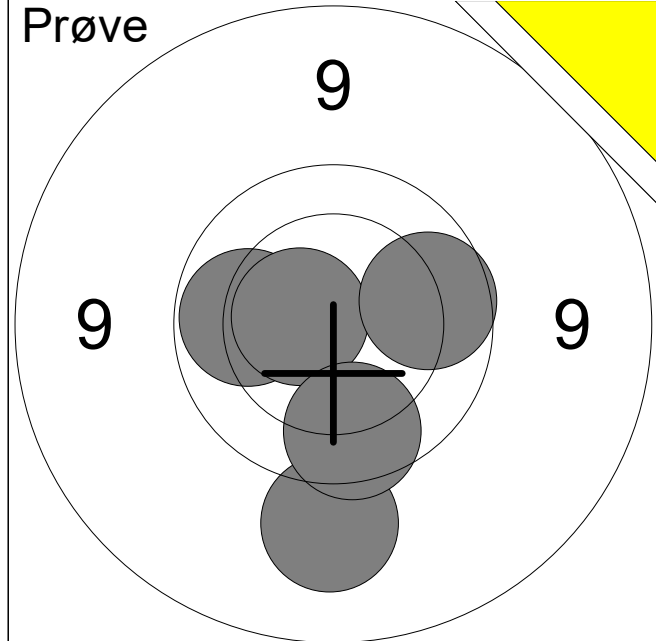
1:	10.6x	←
2:	9.9	↘
3:	10.2	↗
4:	9.1	↙
5:	9.7	↓
6:	10.0	←
<b>Serie</b>		<b>57 ( 1x)</b>
<b>Total</b>		<b>0 ( 0x)</b>



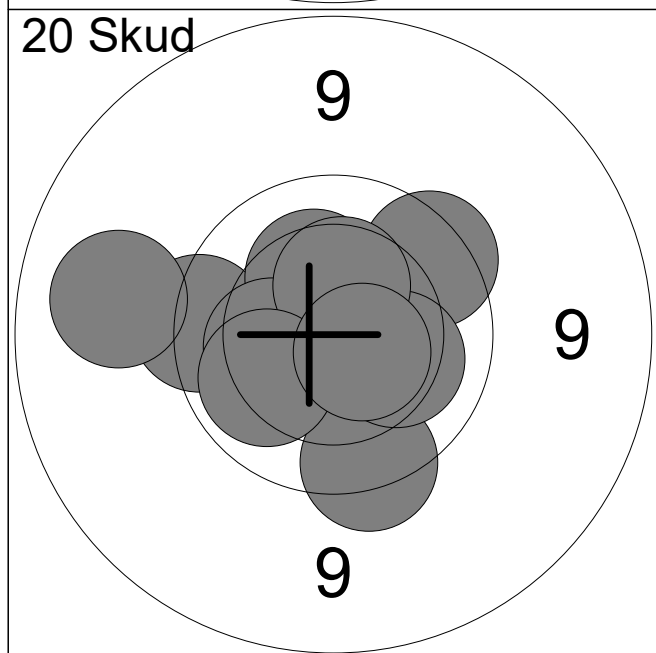
1:	10.1	↘
2:	10.0	↓
3:	9.4	→
4:	9.9	→
5:	10.1	↙
6:	10.4	↙
7:	9.7	↗
8:	10.1	←
9:	10.3	↗
10:	9.4	←
<b>Serie</b>		<b>96 ( 0x)</b>
<b>Total</b>		<b>96 ( 0x)</b>



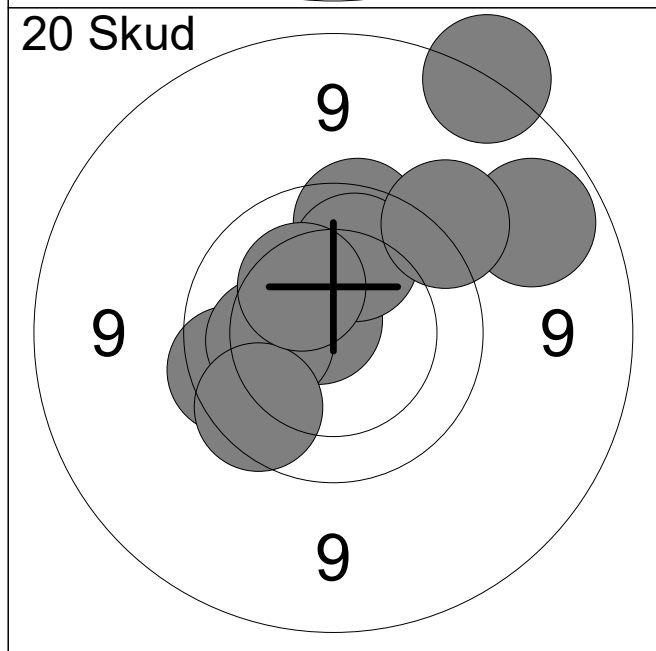
11:	9.7	←
12:	9.6	↗
13:	9.8	↖
14:	10.2	↗
15:	10.0	↑
16:	9.5	→
17:	9.8	↓
18:	10.1	→
19:	10.6x	→
20:	10.0	↑
<b>Serie</b>		<b>95 ( 1x)</b>
<b>Total</b>		<b>191 ( 1x)</b>



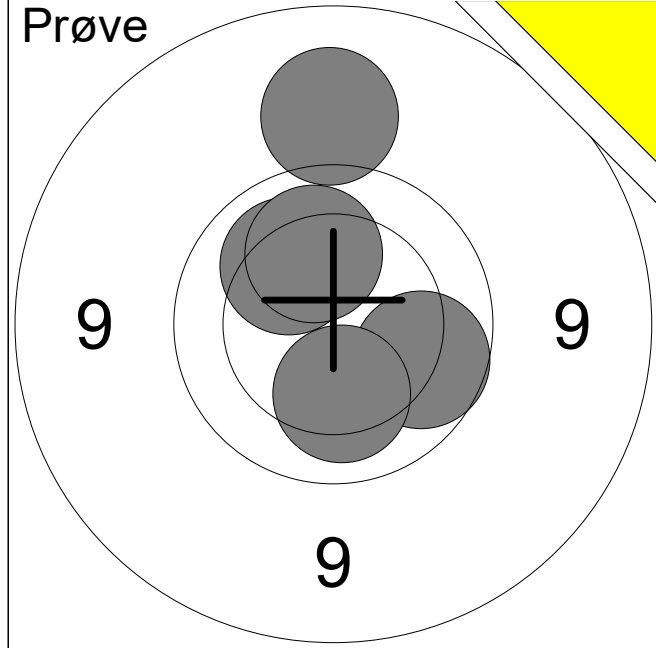
1:	9.3	↓
2:	10.0	←
3:	10.6x	←
4:	9.8	↓
5:	9.9	→
<b>Serie</b>		<b>47 ( 1x)</b>
<b>Total</b>		<b>0 ( 0x)</b>



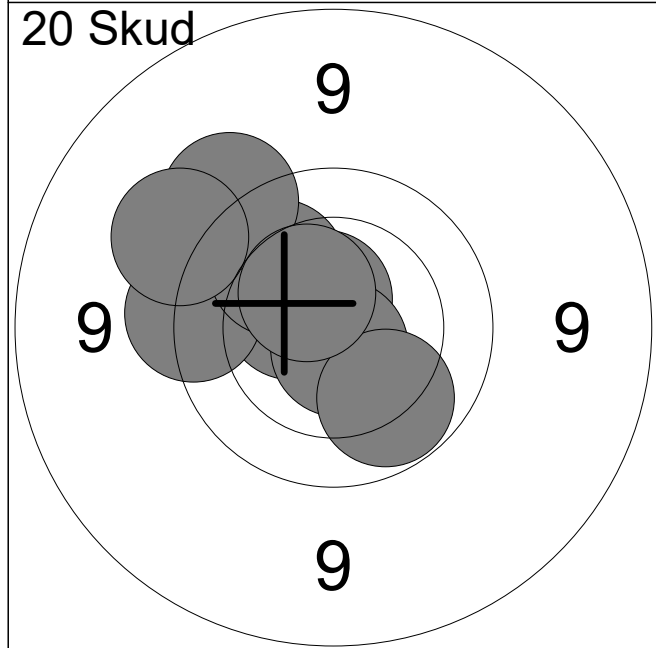
1:	9.7	↓
2:	9.7	←
3:	10.3	↑
4:	10.3	←
5:	9.8	↗
6:	10.2	→
7:	10.4	↑
8:	10.1	←
9:	9.2	←
10:	10.6x	↘
<b>Serie</b>		<b>96 ( 1x)</b>
<b>Total</b>		<b>96 ( 1x)</b>



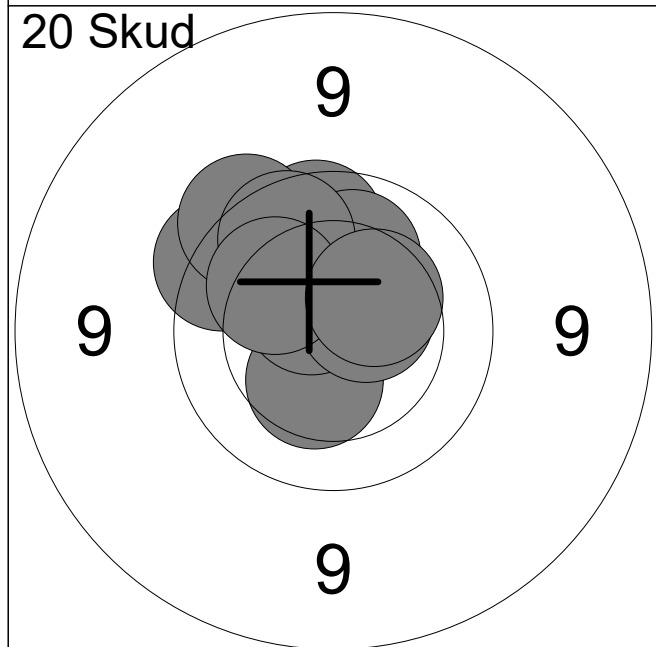
11:	10.7x	↖
12:	9.8	↑
13:	10.0	↑
14:	9.8	←
15:	10.2	←
16:	9.8	↙
17:	8.7	↗
18:	9.0	↗
19:	10.3	↖
20:	9.5	↗
<b>Serie</b>		<b>93 ( 1x)</b>
<b>Total</b>		<b>189 ( 2x)</b>



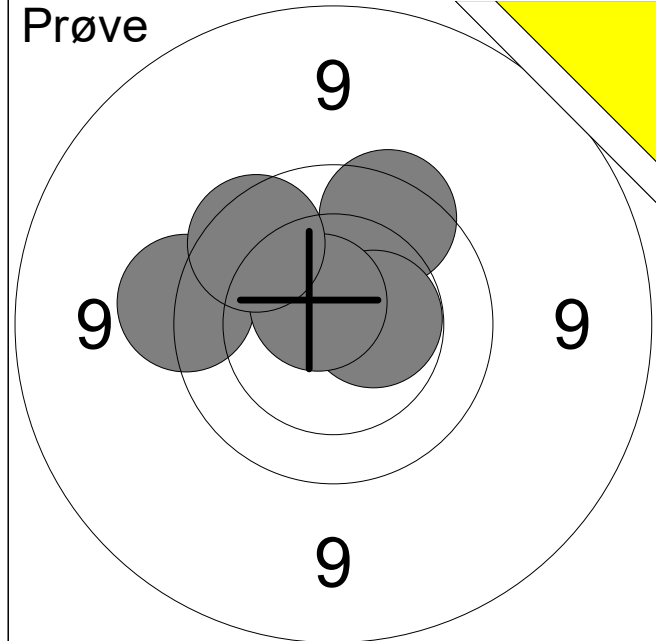
1:	9.9	↘
2:	9.2	↑
3:	10.1	↗
4:	10.2	↓
5:	10.1	↑
<b>Serie</b>		<b>48 ( 0x)</b>
<b>Total</b>		<b>0 ( 0x)</b>



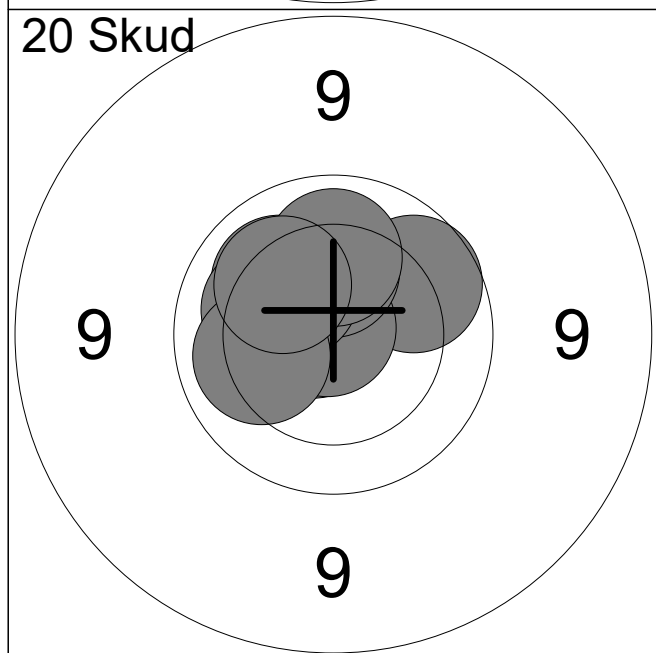
1:	10.6x	↑
2:	10.5	↖
3:	9.9	↗
4:	9.6	↖
5:	10.0	↗
6:	9.5	↗
7:	9.4	↗
8:	10.7x	↓
9:	10.0	↓
10:	10.5	↗
<b>Serie</b>		<b>96 ( 2x)</b>
<b>Total</b>		<b>96 ( 2x)</b>



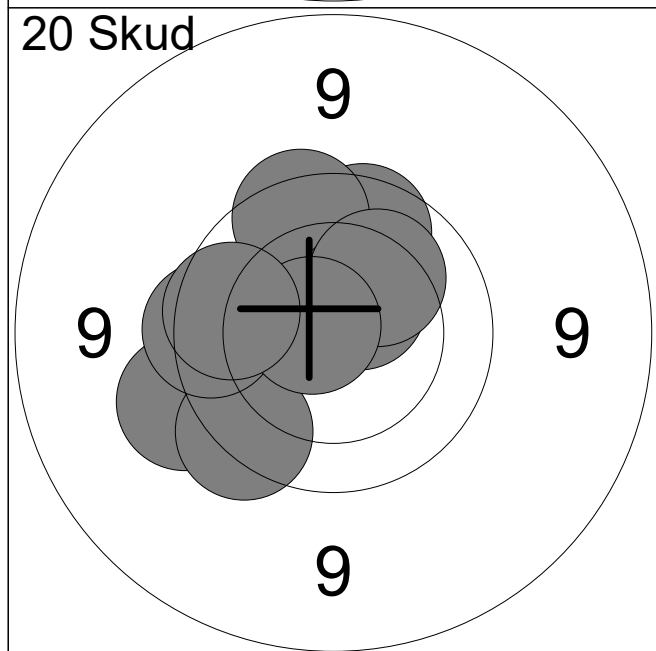
11:	10.4	↓
12:	9.9	↑
13:	9.7	↗
14:	9.7	↗
15:	10.6x	↗
16:	10.1	↑
17:	10.5x	↗
18:	9.9	↗
19:	10.1	↗
20:	10.4	↗
<b>Serie</b>		<b>96 ( 2x)</b>
<b>Total</b>		<b>192 ( 4x)</b>



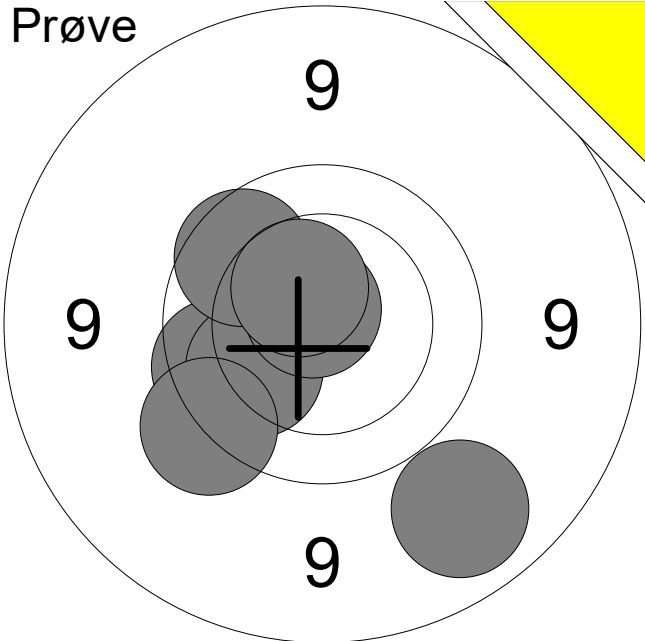
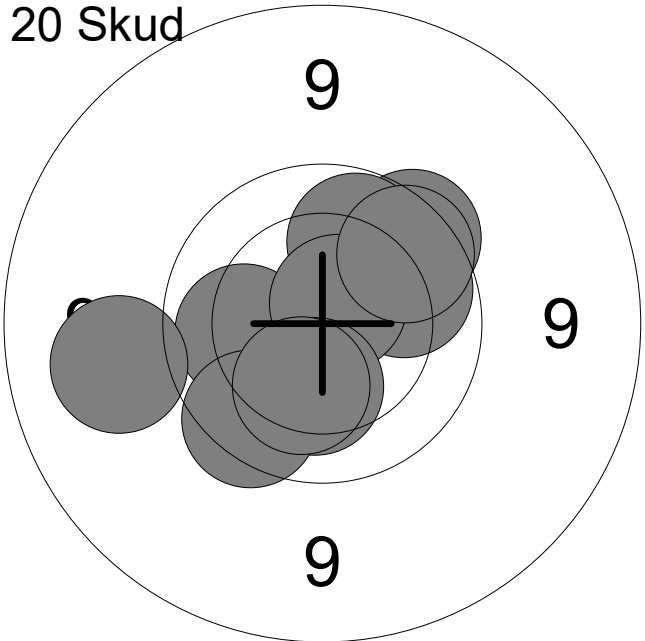
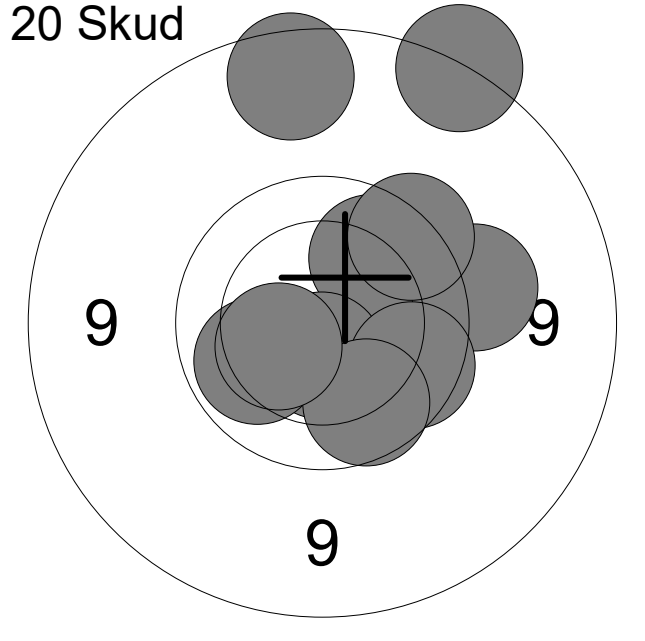
1:	9.6	←
2:	9.8	↑
3:	10.5x	→
4:	10.7x	↑
5:	9.8	↑
<b>Serie</b>		<b>47 ( 2x)</b>
<b>Total</b>		<b>0 ( 0x)</b>

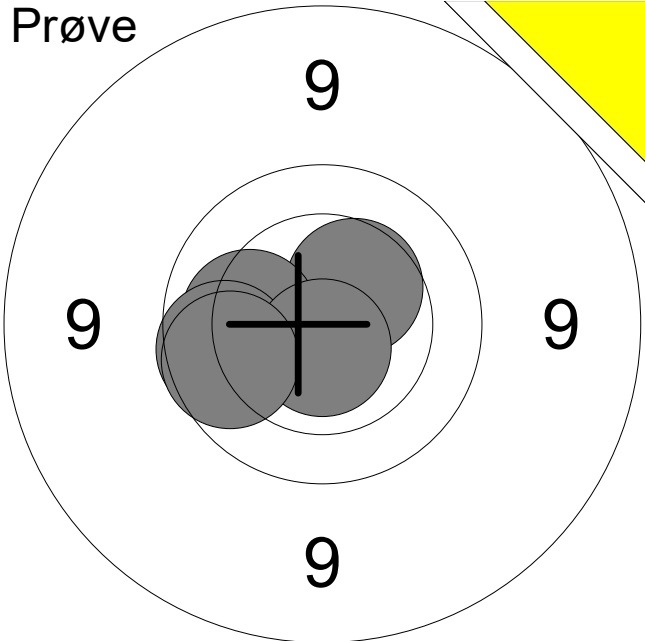
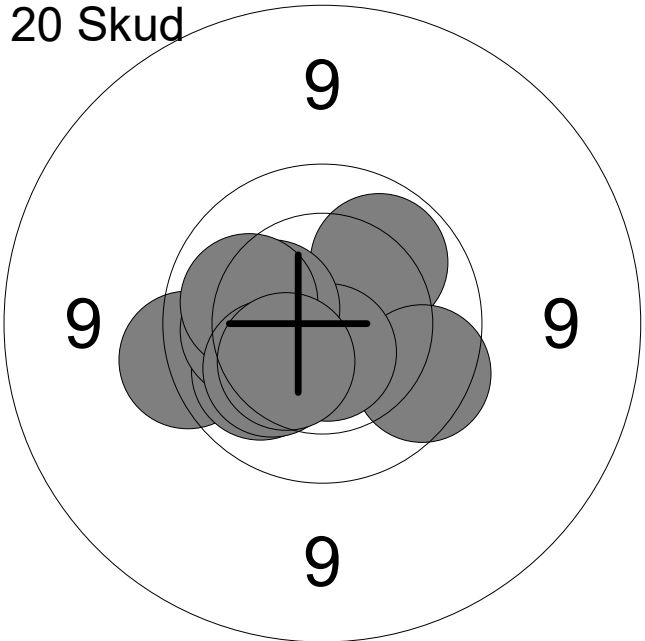
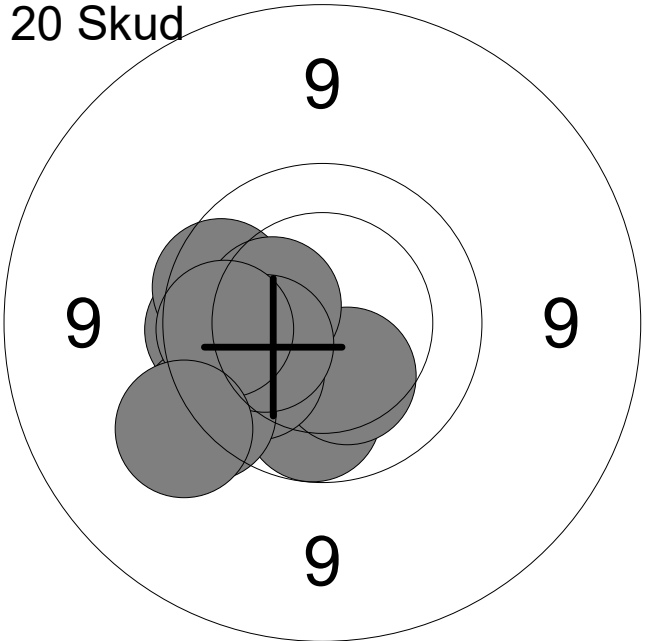


1:	9.9	↗
2:	10.7x	←
3:	10.8x	↑
4:	10.2	↑
5:	10.3	↗
6:	10.1	↗
7:	10.2	←
8:	10.1	←
9:	10.1	↑
10:	10.2	↗
<b>Serie</b>		<b>99 ( 2x)</b>
<b>Total</b>		<b>99 ( 2x)</b>

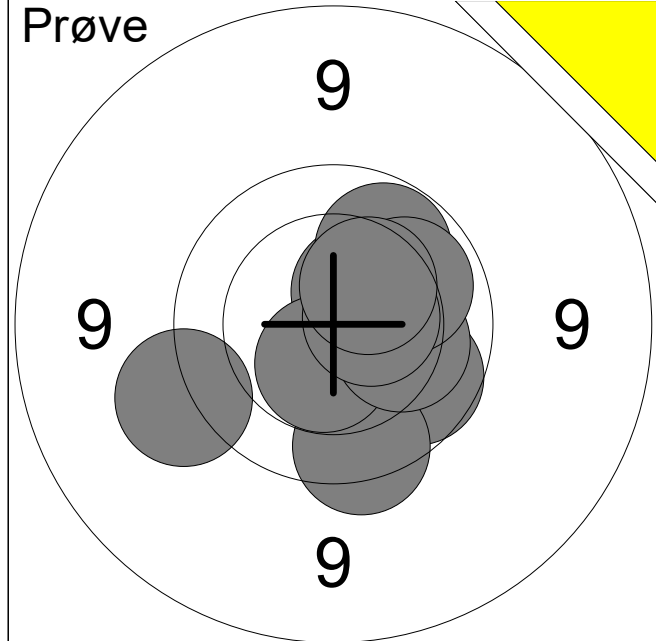


11:	9.5	↙
12:	10.0	↑
13:	9.9	↑
14:	9.8	↑
15:	10.5x	↗
16:	10.2	↗
17:	9.7	↙
18:	9.7	←
19:	10.7x	←
20:	9.9	←
<b>Serie</b>		<b>94 ( 2x)</b>
<b>Total</b>		<b>193 ( 4x)</b>

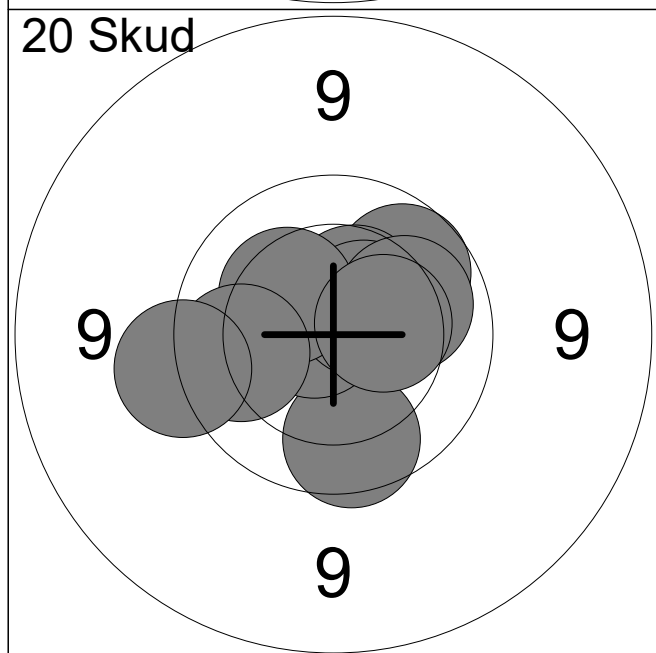
Hold	Skive	Alexander Hunt Loeth		
28	11	ØSF	Blovstrød SG&I - Skytteafd.	MBK4
18.11.2024	ØIstykke Skydningen 2024	ØIstykke skytteforening		
<b>Prøve</b> 	1:	9.8	←	
	2:	10.0	←	
	3:	9.9	↗	
	4:	9.1	↘	
	5:	9.6	↙	
	6:	10.8x	↗	
	7:	10.5	↗	
Serie		66 ( 1x)		
Total		0 ( 0x)		
<b>20 Skud</b> 	1:	10.1	←	
	2:	9.7	↗	
	3:	10.0	↗	
	4:	10.0	→	
	5:	10.7x	↗	
	6:	9.2	←	
	7:	9.8	↗	
	8:	10.3	↘	
	9:	9.8	↙	
	10:	10.2	↘	
Serie		96 ( 1x)		
Total		96 ( 1x)		
<b>20 Skud</b> 	11:	10.0	↗	
	12:	9.5	→	
	13:	10.6x	↘	
	14:	9.9	→	
	15:	9.7	↗	
	16:	10.1	←	
	17:	8.7	↗	
	18:	8.9	↑	
	19:	9.9	↘	
	20:	10.4	←	
Serie		92 ( 1x)		
Total		188 ( 2x)		

Hold <b>29</b>	Skive <b>3</b>	<b>Hans Granholm</b>		
ØSF		Frederikssund Skytteforening, I		SE3
18.11.2024		Ølstykke Skydningen 2024		Ølstykke skytteforening
<b>Prøve</b> 		1:	10.4	↗
		2:	10.1	←
		3:	9.9	←
		4:	10.7x	↓
		5:	9.9	←
		<b>Serie</b>		<b>48 ( 1x)</b>
		<b>Total</b>		<b>0 ( 0x)</b>
<b>20 Skud</b> 		1:	10.0	↗
		2:	9.8	→
		3:	9.6	←
		4:	10.6x	↓
		5:	10.1	↙
		6:	10.4	←
		7:	10.1	←
		8:	10.1	←
		9:	10.2	↙
		10:	10.4	↙
		<b>Serie</b>		<b>98 ( 1x)</b>
		<b>Total</b>		<b>98 ( 1x)</b>
<b>20 Skud</b> 		11:	10.0	↓
		12:	10.3	↓
		13:	9.8	←
		14:	10.0	↙
		15:	9.8	←
		16:	9.6	↙
		17:	10.4	←
		18:	10.3	←
		19:	9.9	←
		20:	9.4	↙
		<b>Serie</b>		<b>95 ( 0x)</b>
		<b>Total</b>		<b>193 ( 1x)</b>

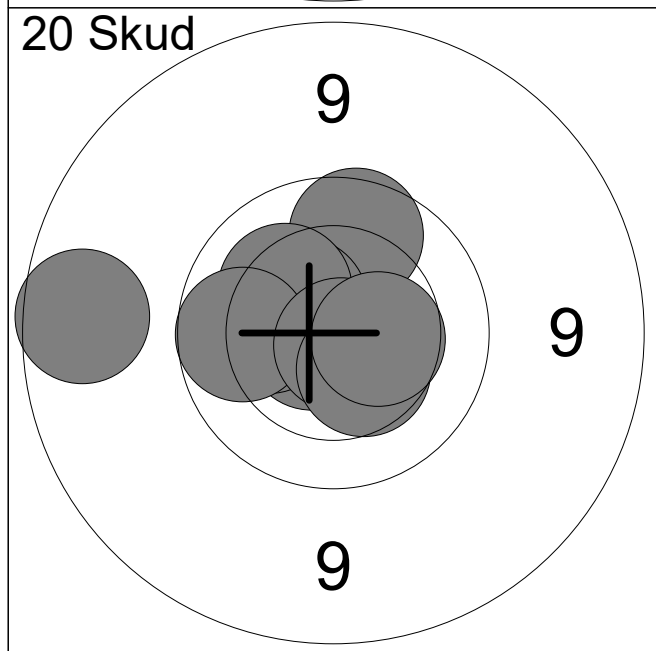
Hold <b>29</b>	Skive <b>5</b>	<b>Bertram Abild Laursen</b>		
ØSF		Espergærde Skytteforening		J1
18.11.2024		Ølstykke Skydningen 2024		Ølstykke skytteforening
<b>Prøve</b>		1: 10.7x ↑ 2: 9.7 ← 3: 10.2 ↓ 4: 10.2 ↓ 5: 10.5 ↗		
		Serie		49 ( 1x)
		Total		0 ( 0x)
<b>20 Skud</b>		1: 9.5 ↑ 2: 9.7 ↗ 3: 10.6x ← 4: 9.9 ↑ 5: 10.8x ↗ 6: 9.8 ↓ 7: 10.1 → 8: 9.9 ↓ 9: 10.1 ↓ 10: 10.6x ↑		
		Serie		95 ( 3x)
		Total		95 ( 3x)
<b>20 Skud</b>		11: 10.8x ↑ 12: 10.3 → 13: 10.0 → 14: 10.3 ↗ 15: 10.3 ↓ 16: 10.4 → 17: 10.0 ↓ 18: 9.9 → 19: 10.3 ↗ 20: 9.6 ←		
		Serie		98 ( 1x)
		Total		193 ( 4x)



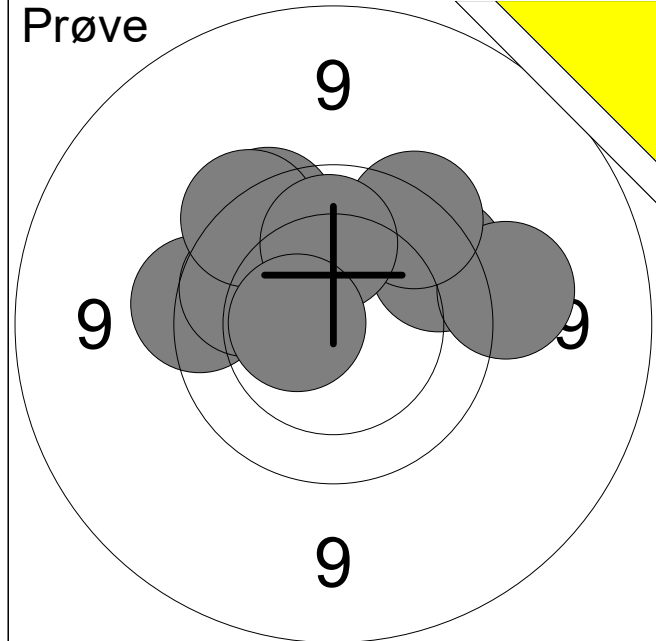
1:	9.9	↘
2:	10.5	↗
3:	9.7	↓
4:	10.5x	↓
5:	10.2	→
6:	10.0	↗
7:	10.1	↗
8:	9.5	←
9:	10.5x	→
10:	10.4	↗
<b>Serie</b>		<b>97 ( 2x)</b>
<b>Total</b>		<b>0 ( 0x)</b>



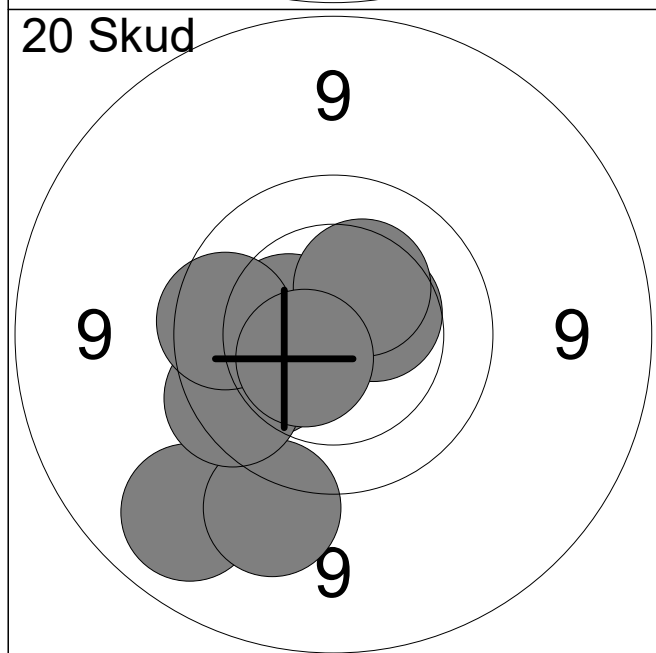
1:	9.9	↓
2:	10.7x	←
3:	9.9	↗
4:	10.4	↗
5:	10.5x	↗
6:	10.1	→
7:	10.3	↗
8:	9.9	←
9:	10.4	→
10:	9.5	←
<b>Serie</b>		<b>96 ( 2x)</b>
<b>Total</b>		<b>96 ( 2x)</b>



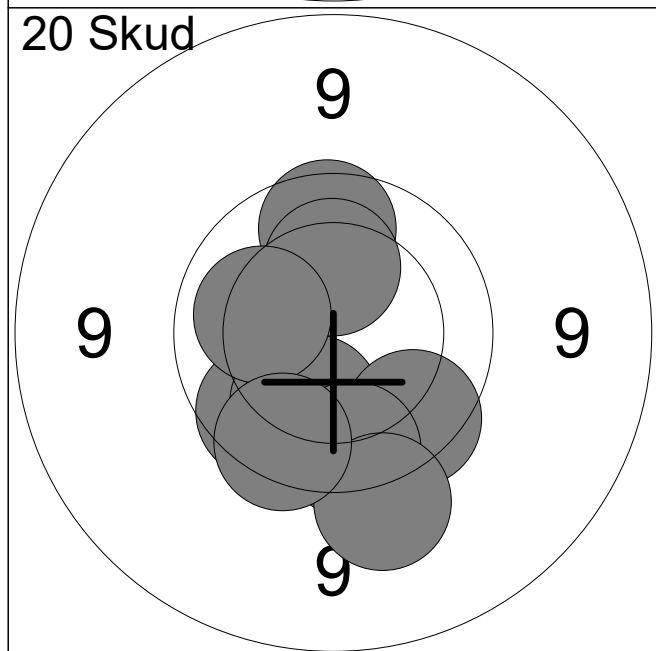
11:	10.7x	←
12:	10.2	←
13:	9.9	↗
14:	10.5	↗
15:	10.2	↗
16:	9.9	←
17:	10.8x	↓
18:	8.9	←
19:	10.4	↓
20:	10.4	→
<b>Serie</b>		<b>96 ( 2x)</b>
<b>Total</b>		<b>192 ( 4x)</b>



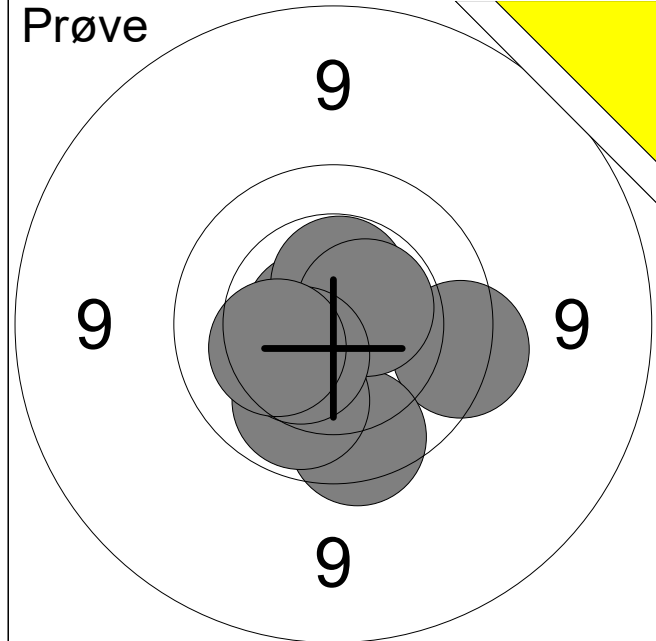
1:	9.8	↗
2:	9.4	→
3:	9.7	←
4:	9.7	↗
5:	9.9	←
6:	9.7	↗
7:	9.7	↗
8:	10.1	↑
9:	10.5x	←
<b>Serie</b>		<b>83 ( 1x)</b>
<b>Total</b>		<b>0 ( 0x)</b>



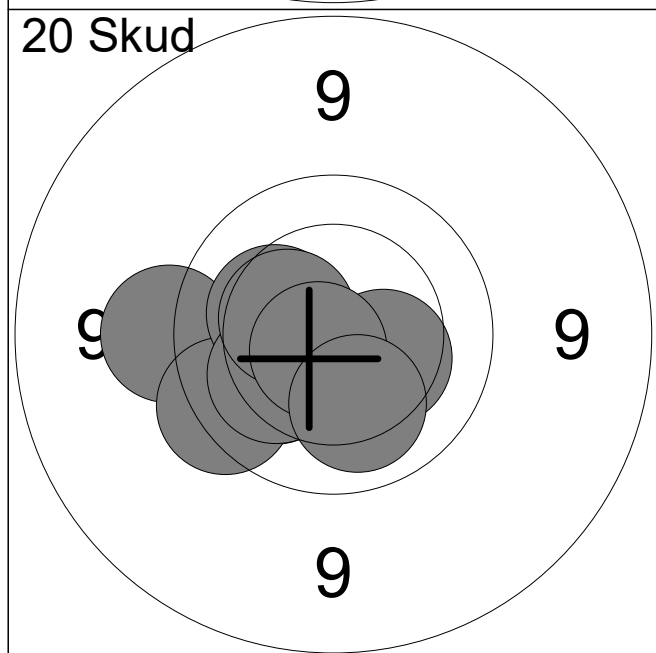
1:	10.1	←
2:	9.1	↘
3:	10.1	←
4:	9.4	↘
5:	9.8	←
6:	10.5	↗
7:	10.4	←
8:	10.3	↗
9:	9.8	←
10:	10.5x	↘
<b>Serie</b>		<b>96 ( 1x)</b>
<b>Total</b>		<b>96 ( 1x)</b>



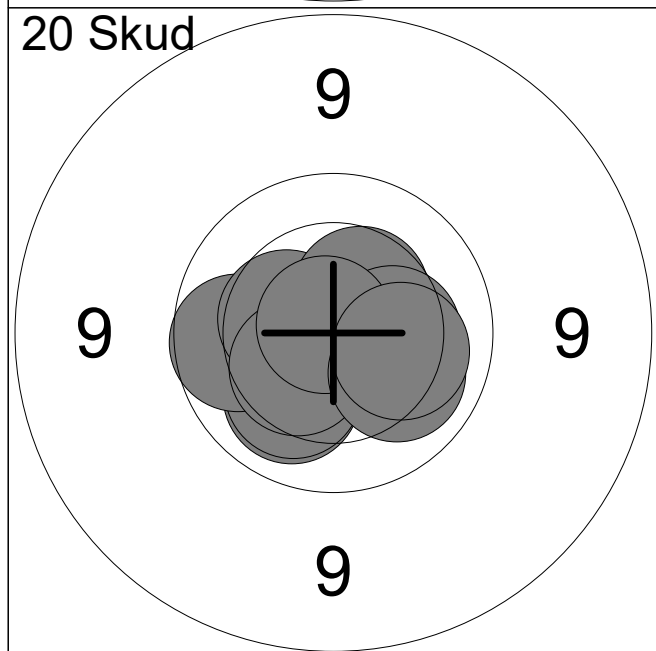
11:	9.9	↑
12:	10.2	↑
13:	9.9	↘
14:	10.1	↘
15:	10.1	↘
16:	10.1	←
17:	9.8	↘
18:	9.8	↘
19:	9.4	↘
20:	9.8	↘
<b>Serie</b>		<b>94 ( 0x)</b>
<b>Total</b>		<b>190 ( 1x)</b>



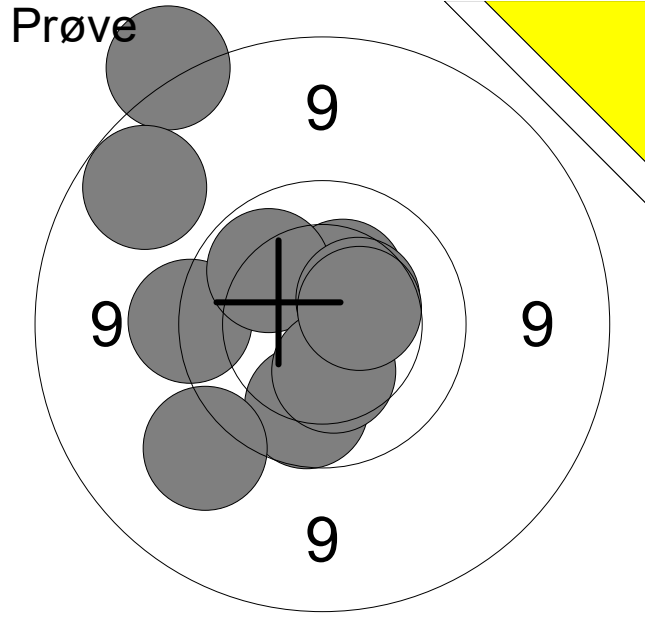
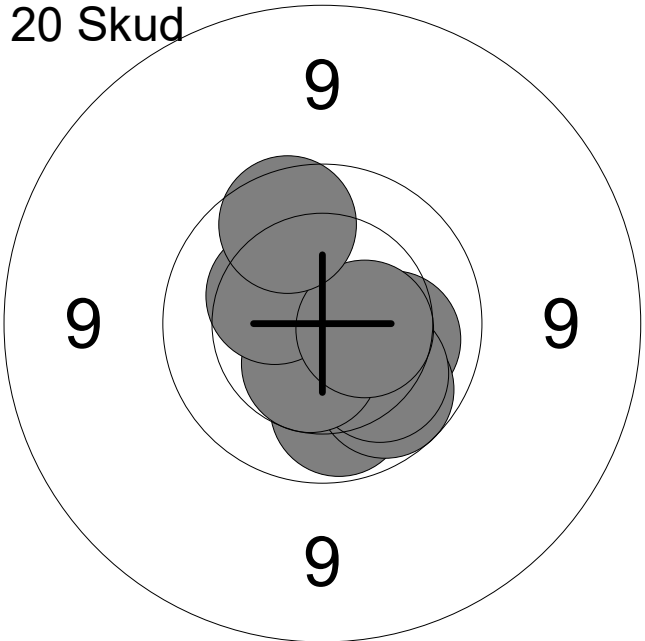
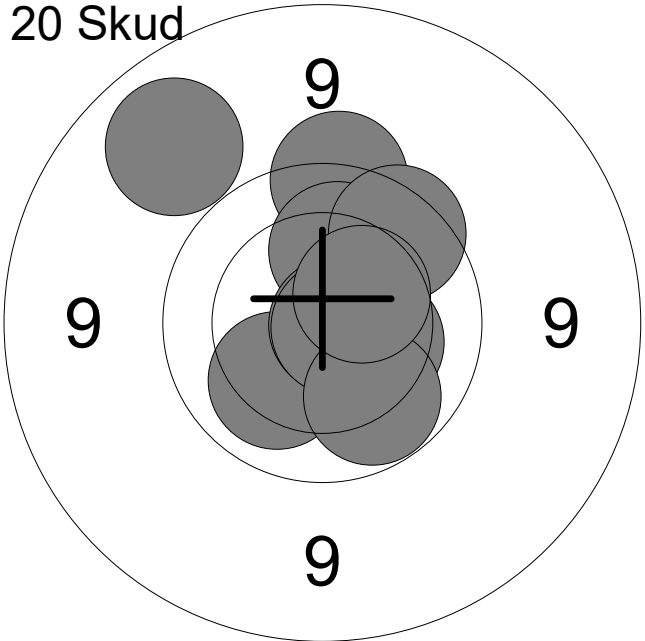
1:	9.7	→
2:	10.7x	←
3:	9.8	↓
4:	10.5x	↑
5:	10.0	↓
6:	10.6x	↗
7:	10.5	↘
8:	10.3	←
<b>Serie</b>		<b>78 ( 3x)</b>
<b>Total</b>		<b>0 ( 0x)</b>

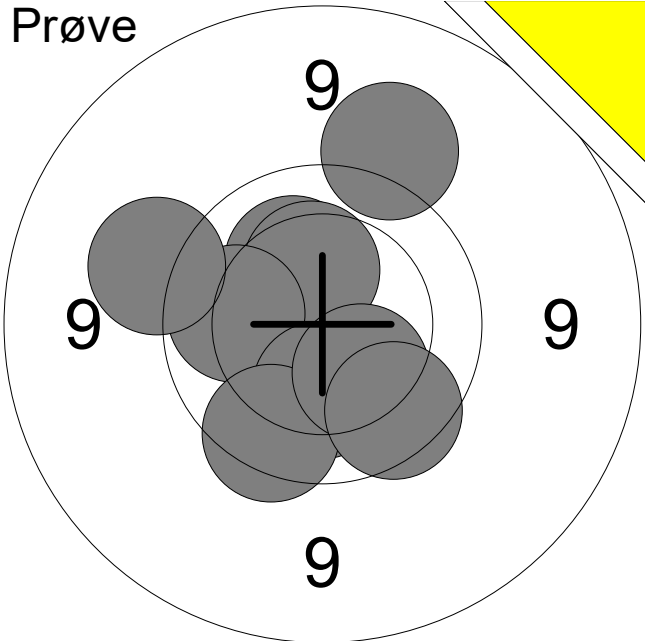
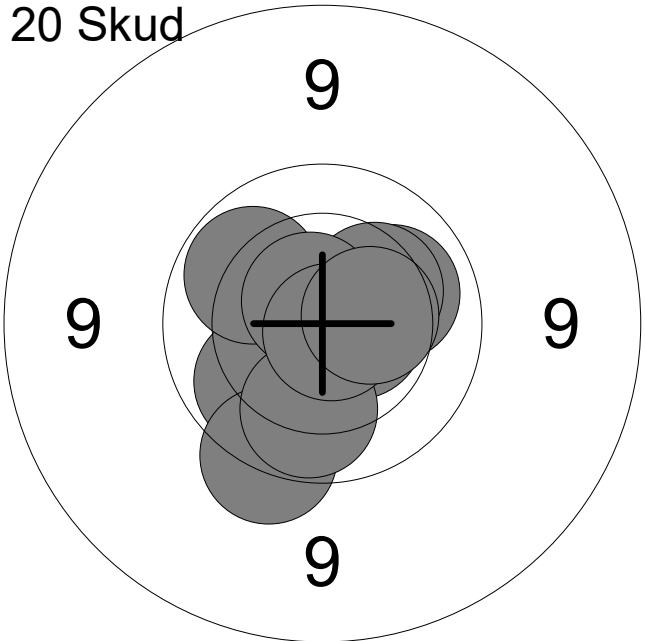
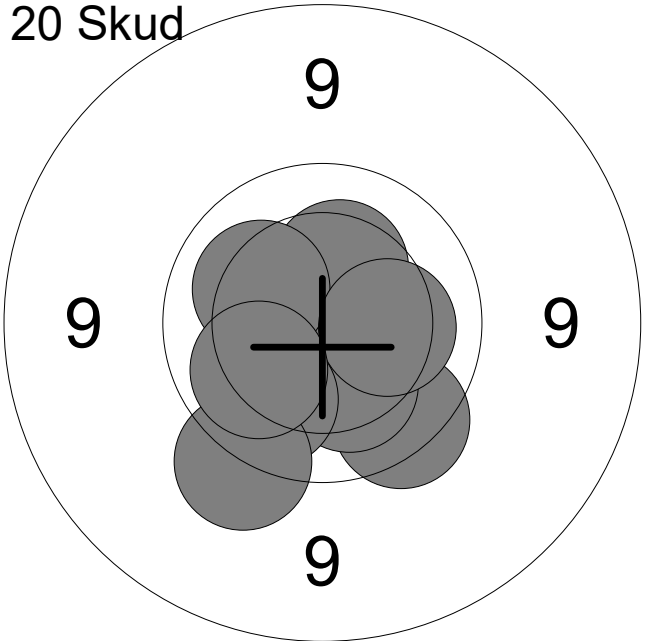


1:	10.2	↙
2:	10.3	→
3:	10.5	↙
4:	9.5	←
5:	9.7	↙
6:	10.3	↙
7:	10.2	↙
8:	10.4	↙
9:	10.7x	↙
10:	10.1	↓
<b>Serie</b>		<b>98 ( 1x)</b>
<b>Total</b>		<b>98 ( 1x)</b>

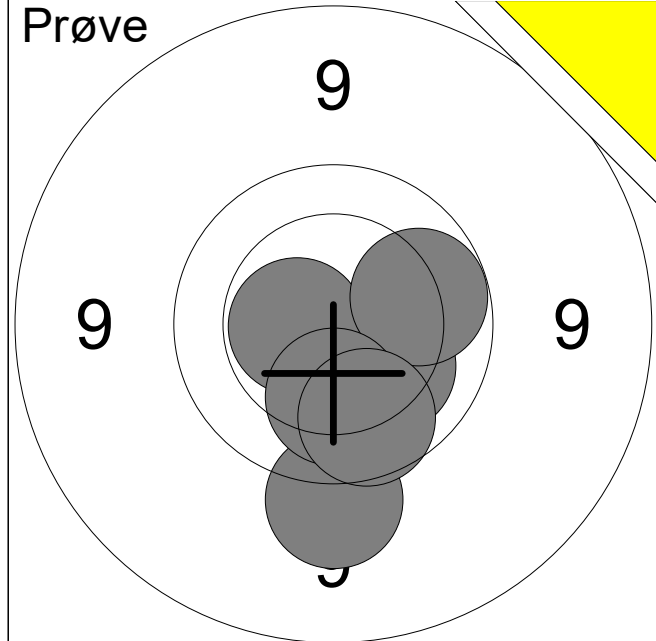


11:	10.1	↙
12:	10.2	↙
13:	9.9	←
14:	10.4	↙
15:	10.4	↙
16:	10.4	↗
17:	10.3	→
18:	10.8x	↗
19:	10.1	↘
20:	10.2	→
<b>Serie</b>		<b>99 ( 1x)</b>
<b>Total</b>		<b>197 ( 2x)</b>

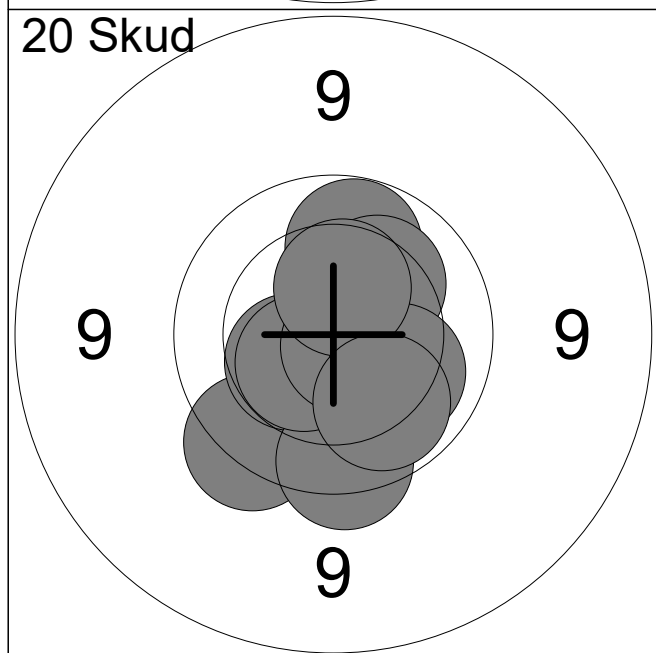
Hold <b>29</b>	Skive <b>10</b>	<b>Peder Pilgaard</b>		
ØSF		Frederikssund Skytteforening, I		SE2
18.11.2024		Ølstykke Skydningen 2024		Ølstykke skytteforening
<b>Prøve</b> 		1: 8.6 ↗ 2: 10.4 ↗ 3: 9.9 ↓ 4: 9.3 ↙ 5: 9.6 ← 6: 9.0 ↗ 7: 10.0 ↗ 8: 10.4 ↗ 9: 10.4 ↓ 10: 10.5 →		
		<b>Serie</b>		<b>94 ( 0x)</b>
		<b>Total</b>		<b>0 ( 0x)</b>
<b>20 Skud</b> 		1: 10.7x ↓ 2: 10.2 → 3: 10.7x ↓ 4: 10.0 ↓ 5: 9.9 ↓ 6: 10.1 ↓ 7: 10.5 ↓ 8: 10.3 ↗ 9: 10.5 → 10: 9.9 ↗		
		<b>Serie</b>		<b>98 ( 2x)</b>
		<b>Total</b>		<b>98 ( 2x)</b>
<b>20 Skud</b> 		11: 9.6 ↑ 12: 9.1 ↗ 13: 10.1 ↓ 14: 10.1 ↑ 15: 9.8 ↗ 16: 10.3 → 17: 10.8x → 18: 10.7x → 19: 10.0 ↓ 20: 10.4 ↗		
		<b>Serie</b>		<b>97 ( 2x)</b>
		<b>Total</b>		<b>195 ( 4x)</b>

Hold <b>30</b>	Skive <b>2</b>	<b>Emil Lind Forsmark</b>		
ØSF		Helsingør Salonskytte Forening		J2
18.11.2024		Ølstykke Skydningen 2024		Ølstykke skytteforening
<b>Prøve</b> 		1: 10.7x ↙ 2: 10.2 ↗ 3: 9.4 ↗ 4: 10.3 ↗ 5: 10.0 ↖ 6: 10.2 ↓ 7: 9.4 ↖ 8: 9.8 ↓ 9: 10.3 ↓ 10: 9.8 ↓		
		Serie		96 ( 1x)
		Total		0 ( 0x)
<b>20 Skud</b> 		1: 10.1 → 2: 10.3 → 3: 10.6x → 4: 10.0 ↖ 5: 9.6 ↖ 6: 10.0 ↖ 7: 10.0 ↗ 8: 10.7x ↗ 9: 10.8x ↓ 10: 10.4 →		
		Serie		99 ( 3x)
		Total		99 ( 3x)
<b>20 Skud</b> 		11: 10.5 ↖ 12: 10.3 ↓ 13: 9.7 ↓ 14: 10.3 ↗ 15: 10.2 ↓ 16: 10.2 ↗ 17: 9.9 ↓ 18: 10.2 → 19: 9.5 ↓ 20: 10.1 ↖		
		Serie		97 ( 0x)
		Total		196 ( 3x)

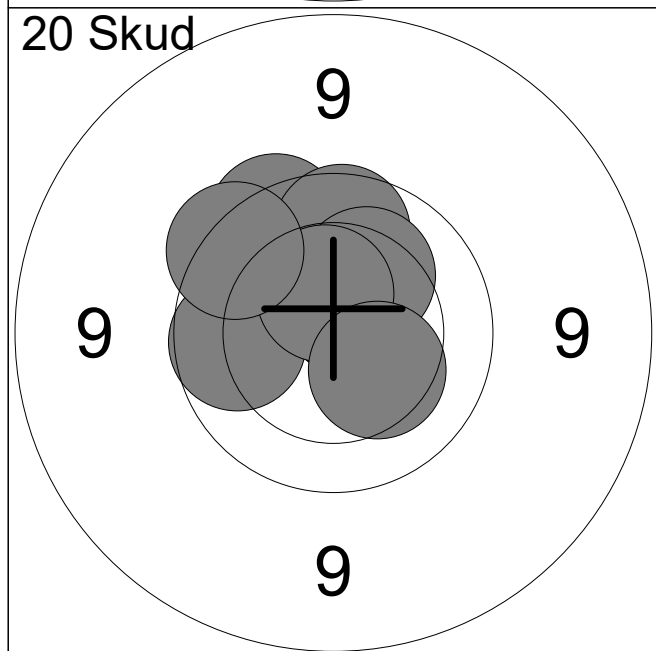
Hold <b>30</b>	Skive <b>3</b>	<b>Oliver Lind Forsmark</b>																																
ØSF		Helsingør Salonskytte Forening		BK1																														
18.11.2024		Ølstykke Skydningen 2024		Ølstykke skytteforening																														
<b>Prøve</b>		<table border="0"> <tr><td>1:</td><td>10.7x</td><td>↙</td></tr> <tr><td>2:</td><td>10.1</td><td>↙</td></tr> <tr><td>3:</td><td>10.3</td><td>↙</td></tr> <tr><td>4:</td><td>10.7x</td><td>↙</td></tr> <tr><td>5:</td><td>10.3</td><td>↘</td></tr> <tr><td>6:</td><td>10.2</td><td>↘</td></tr> <tr><td>7:</td><td>10.6x</td><td>↘</td></tr> <tr><td>8:</td><td>10.7x</td><td>→</td></tr> </table>			1:	10.7x	↙	2:	10.1	↙	3:	10.3	↙	4:	10.7x	↙	5:	10.3	↘	6:	10.2	↘	7:	10.6x	↘	8:	10.7x	→						
1:	10.7x	↙																																
2:	10.1	↙																																
3:	10.3	↙																																
4:	10.7x	↙																																
5:	10.3	↘																																
6:	10.2	↘																																
7:	10.6x	↘																																
8:	10.7x	→																																
		Serie		80 ( 4x)																														
		Total		0 ( 0x)																														
<b>20 Skud</b>		<table border="0"> <tr><td>1:</td><td>10.4</td><td>↗</td></tr> <tr><td>2:</td><td>10.2</td><td>→</td></tr> <tr><td>3:</td><td>10.7x</td><td>↘</td></tr> <tr><td>4:</td><td>10.3</td><td>↘</td></tr> <tr><td>5:</td><td>10.4</td><td>↙</td></tr> <tr><td>6:</td><td>9.7</td><td>↘</td></tr> <tr><td>7:</td><td>10.8x</td><td>↗</td></tr> <tr><td>8:</td><td>10.5</td><td>↘</td></tr> <tr><td>9:</td><td>10.6x</td><td>↘</td></tr> <tr><td>10:</td><td>10.6x</td><td>↘</td></tr> </table>			1:	10.4	↗	2:	10.2	→	3:	10.7x	↘	4:	10.3	↘	5:	10.4	↙	6:	9.7	↘	7:	10.8x	↗	8:	10.5	↘	9:	10.6x	↘	10:	10.6x	↘
1:	10.4	↗																																
2:	10.2	→																																
3:	10.7x	↘																																
4:	10.3	↘																																
5:	10.4	↙																																
6:	9.7	↘																																
7:	10.8x	↗																																
8:	10.5	↘																																
9:	10.6x	↘																																
10:	10.6x	↘																																
		Serie		99 ( 4x)																														
		Total		99 ( 4x)																														
<b>20 Skud</b>		<table border="0"> <tr><td>11:</td><td>10.6x</td><td>↘</td></tr> <tr><td>12:</td><td>10.7x</td><td>↑</td></tr> <tr><td>13:</td><td>10.3</td><td>→</td></tr> <tr><td>14:</td><td>10.4</td><td>↑</td></tr> <tr><td>15:</td><td>10.1</td><td>↗</td></tr> <tr><td>16:</td><td>10.2</td><td>↘</td></tr> <tr><td>17:</td><td>10.8x</td><td>↗</td></tr> <tr><td>18:</td><td>10.0</td><td>→</td></tr> <tr><td>19:</td><td>10.0</td><td>→</td></tr> <tr><td>20:</td><td>10.5x</td><td>↗</td></tr> </table>			11:	10.6x	↘	12:	10.7x	↑	13:	10.3	→	14:	10.4	↑	15:	10.1	↗	16:	10.2	↘	17:	10.8x	↗	18:	10.0	→	19:	10.0	→	20:	10.5x	↗
11:	10.6x	↘																																
12:	10.7x	↑																																
13:	10.3	→																																
14:	10.4	↑																																
15:	10.1	↗																																
16:	10.2	↘																																
17:	10.8x	↗																																
18:	10.0	→																																
19:	10.0	→																																
20:	10.5x	↗																																
		Serie		100 ( 4x)																														
		Total		199 ( 8x)																														



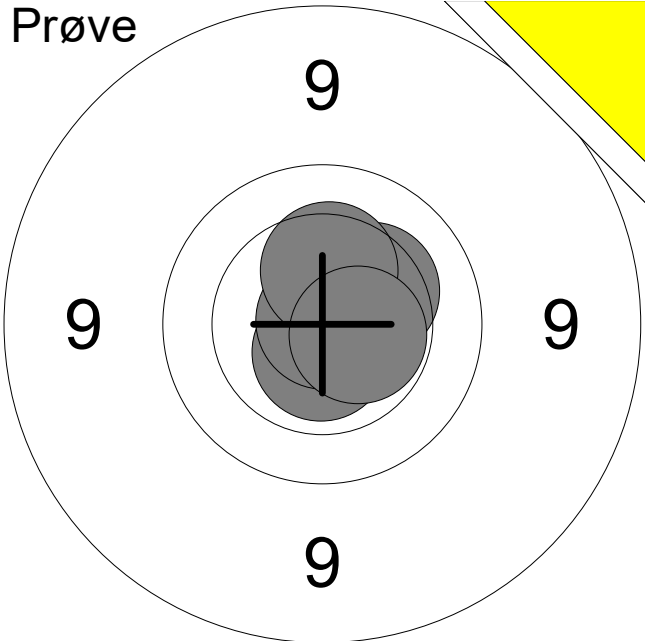
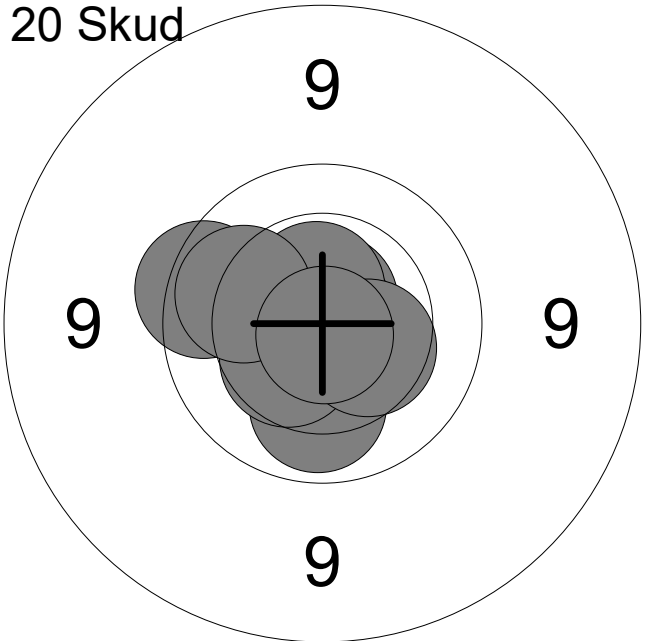
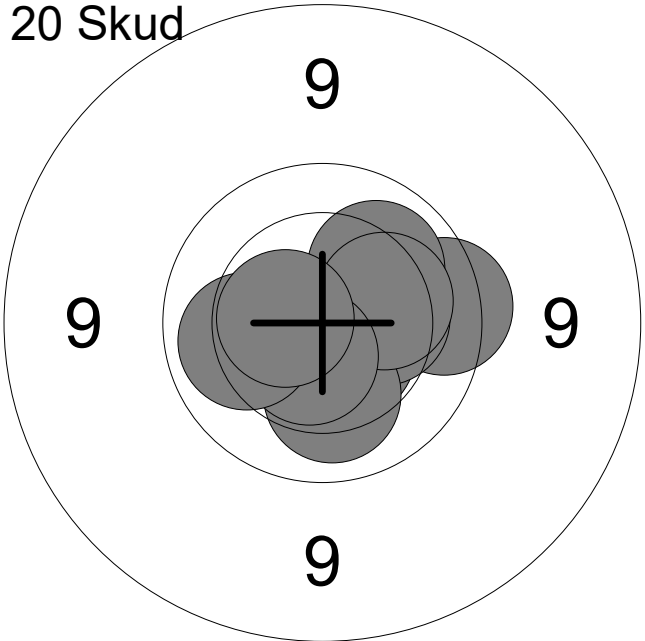
1:	9.4	↓
2:	10.2	↘
3:	10.5x	←
4:	10.0	→
5:	10.1	↓
6:	9.9	↓
<b>Serie</b>		<b>58 ( 1x)</b>
<b>Total</b>		<b>0 ( 0x)</b>

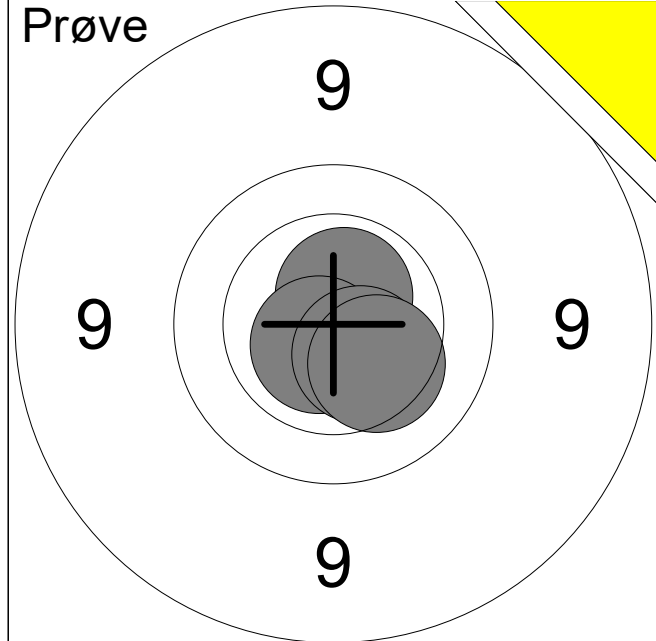


1:	9.7	↙
2:	10.4	↙
3:	9.7	↓
4:	10.0	↑
5:	10.5x	↙
6:	10.2	↗
7:	10.7x	↘
8:	10.1	↘
9:	10.4	↑
10:	10.0	↓
<b>Serie</b>		<b>98 ( 2x)</b>
<b>Total</b>		<b>98 ( 2x)</b>

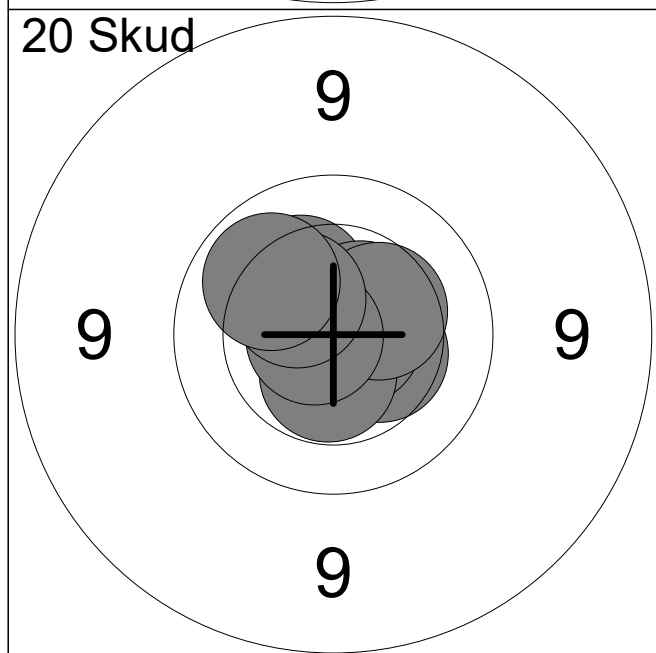


11:	10.6x	↗
12:	10.6x	↗
13:	9.7	↖
14:	10.5x	↑
15:	9.9	↑
16:	10.2	↗
17:	9.9	←
18:	10.5x	↑
19:	9.7	↖
20:	10.3	↘
<b>Serie</b>		<b>96 ( 4x)</b>
<b>Total</b>		<b>194 ( 6x)</b>

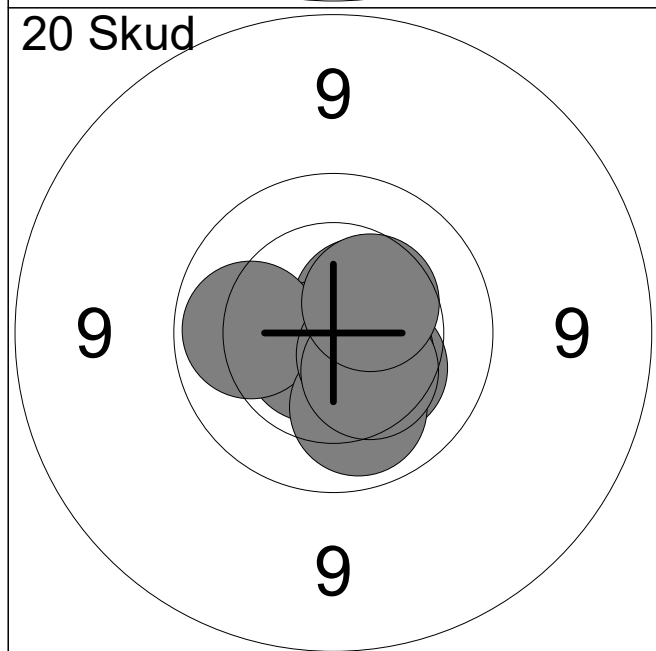
Hold <b>30</b>	Skive <b>5</b>	<b>Emma Frandsen</b>		
ØSF		Espergærde Skytteforening		MBK4
18.11.2024		Ølstykke Skydningen 2024		Ølstykke skytteforening
<b>Prøve</b> 		1:	10.6x	↓
		2:	10.3	↗
		3:	10.9x	↗
		4:	10.4	↑
		5:	10.5x	↘
		Serie		50 ( 3x)
Total		0 ( 0x)		
<b>20 Skud</b> 		1:	10.7x	↑
		2:	10.5x	↓
		3:	10.9x	↗
		4:	10.6x	↑
		5:	9.7	←
		6:	10.1	↓
		7:	10.4	↙
		8:	10.0	←
		9:	10.4	↘
		10:	10.8x	↓
		Serie		99 ( 5x)
Total		99 ( 5x)		
<b>20 Skud</b> 		11:	10.5x	↘
		12:	9.7	→
		13:	10.7x	↘
		14:	10.3	→
		15:	10.2	↓
		16:	10.1	↗
		17:	10.2	→
		18:	10.6x	↘
		19:	10.1	←
		20:	10.5x	←
		Serie		99 ( 4x)
Total		198 ( 9x)		



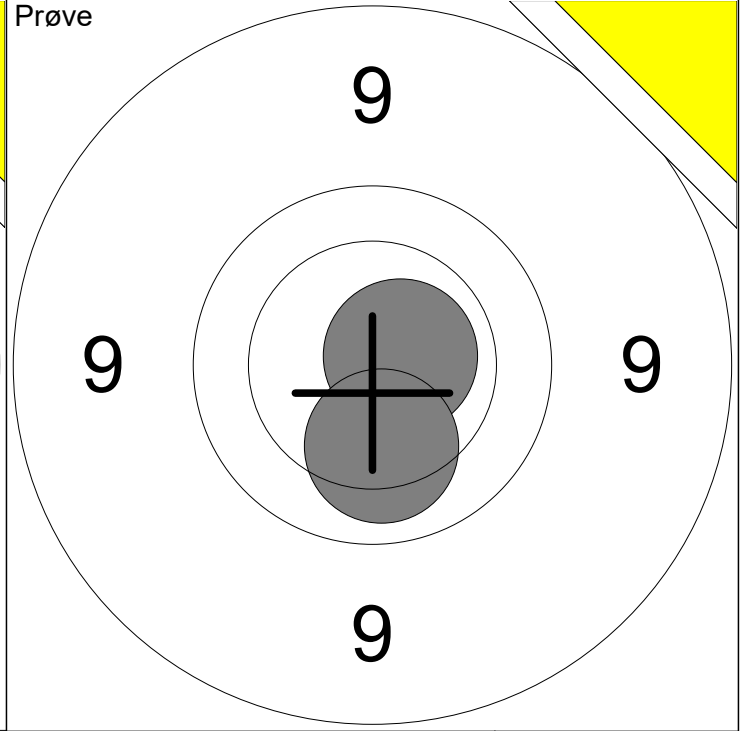
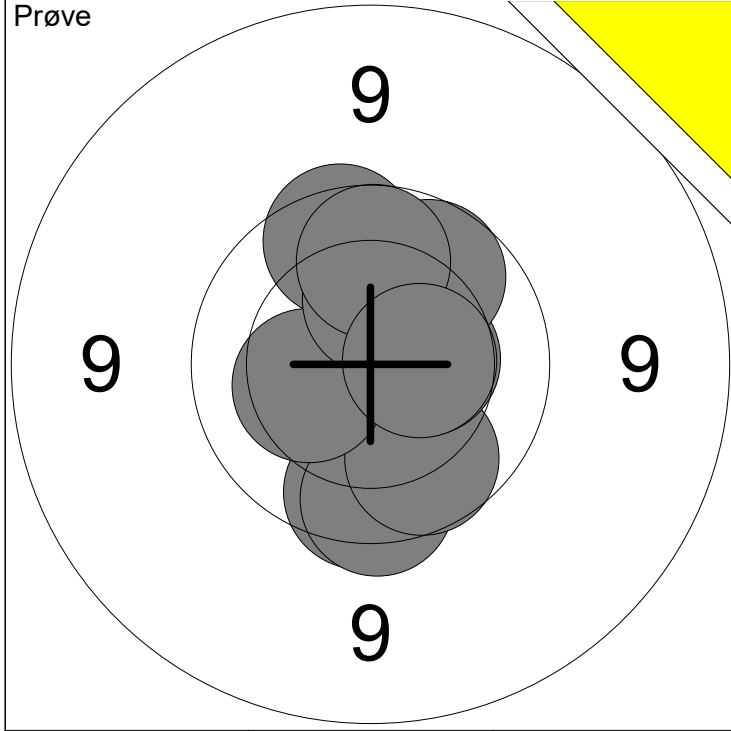
1:	10.6x	↗
2:	10.7x	↘
3:	10.5x	↘
4:	10.3	↘
<b>Serie</b>		<b>40 ( 3x)</b>
<b>Total</b>		<b>0 ( 0x)</b>



1:	10.8x	↘
2:	10.4	→
3:	10.7x	→
4:	10.3	↗
5:	10.5x	↗
6:	10.5x	↘
7:	10.4	→
8:	10.7x	←
9:	10.4	↗
10:	10.0	↗
<b>Serie</b>		<b>100 ( 5x)</b>
<b>Total</b>		<b>100 ( 5x)</b>

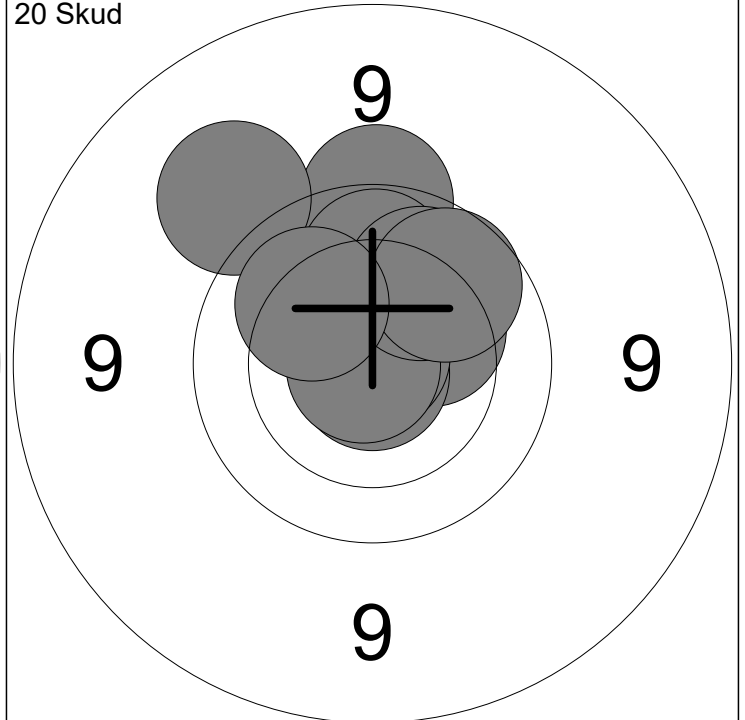
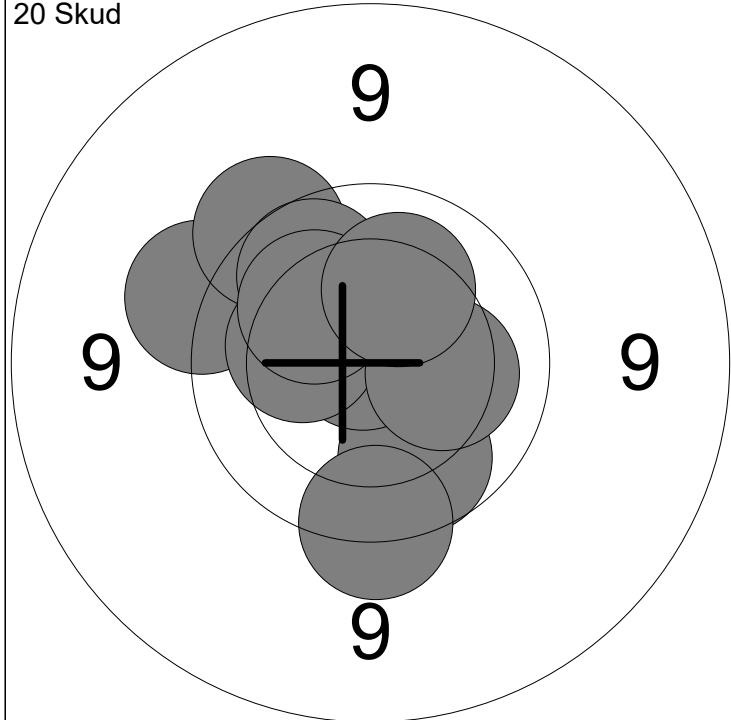


11:	10.3	↘
12:	10.9x	↘
13:	10.5x	↗
14:	10.8x	↘
15:	10.6x	↘
16:	10.0	←
17:	10.1	↘
18:	10.5x	↘
19:	10.4	↘
20:	10.4	↗
<b>Serie</b>		<b>100 ( 5x)</b>
<b>Total</b>		<b>200 (10x)</b>



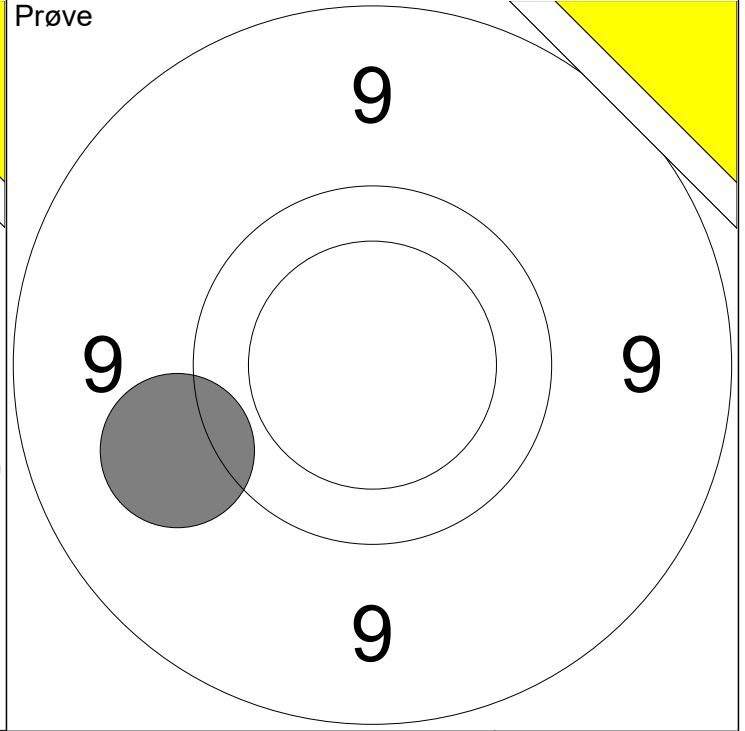
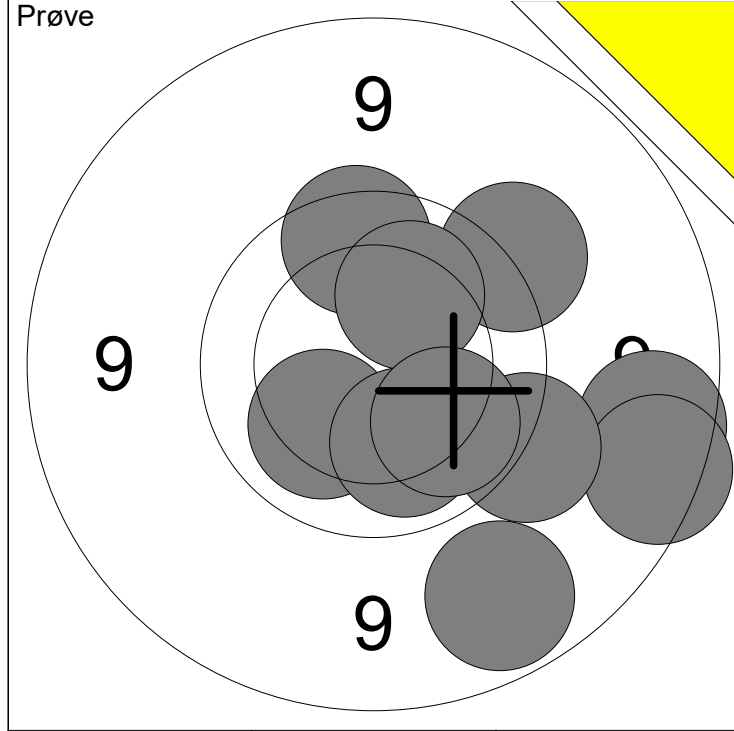
1: 9.8 ↓	6: 10.3 ↑	Serie	94 (0x)
2: 9.8 ↓	7: 10.4 →		
3: 9.9 ↓	8: 9.9 ↗	Total	0 (0x)
4: 10.3 ←	9: 9.9 ↑		
5: 9.8 ↑	10: 10.5 →		

11: 10.7x →	Serie	20 (1x)
12: 10.2 ↓		
Total		0 (0x)



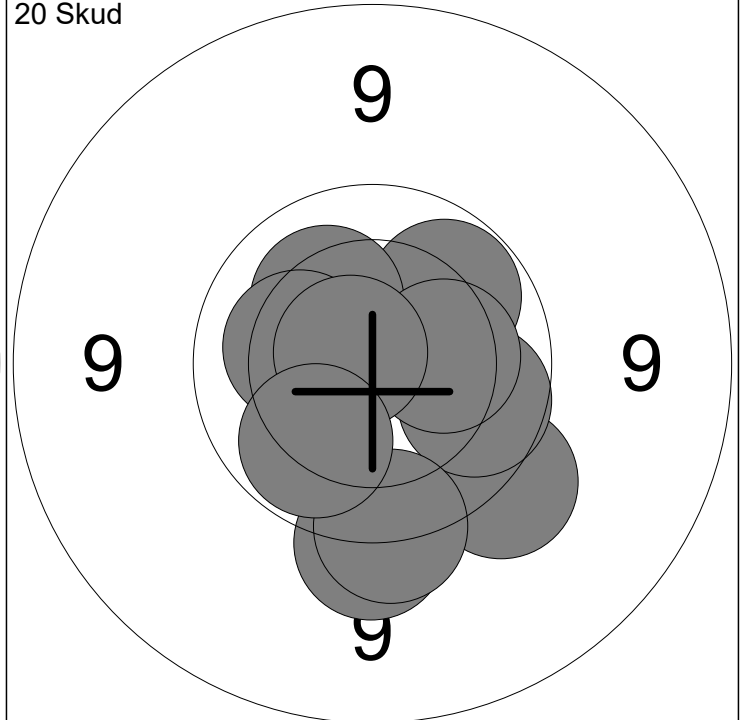
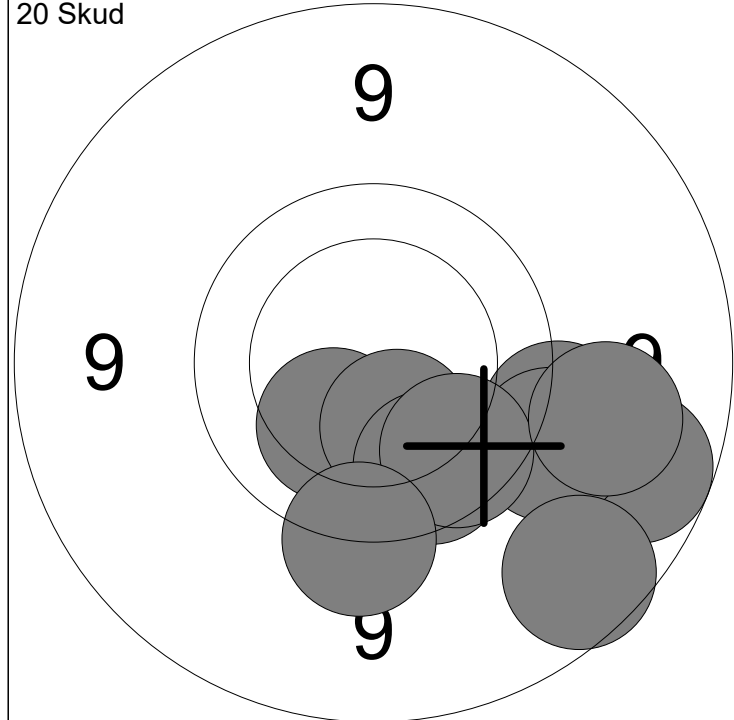
1: 9.9 ↓	6: 9.9 ↗	Serie	95 (1x)
2: 10.8x ↗	7: 10.2 ↗		
3: 9.5 ↗	8: 10.2 →	Total	95 (1x)
4: 9.6 ↗	9: 9.6 ↓		
5: 10.3 ←	10: 10.2 ↑		

11: 10.3 ↗	16: 9.3 ↖	Serie	97 (3x)
12: 10.9x ↓	17: 10.0 ↑		
13: 9.6 ↑	18: 10.0 ↗	Total	192 (4x)
14: 10.9x ↑	19: 9.9 ↗		
15: 10.9x ←	20: 10.1 ↖		



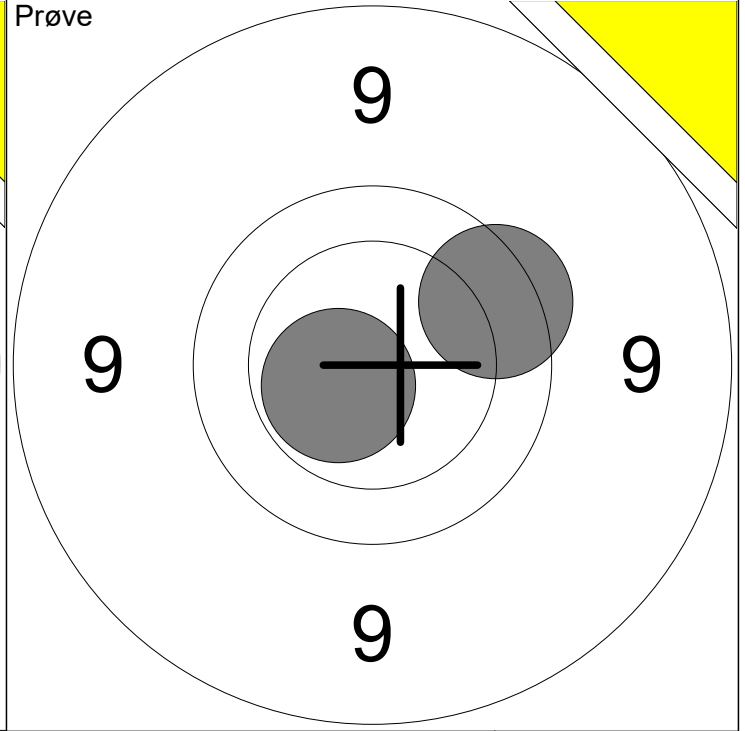
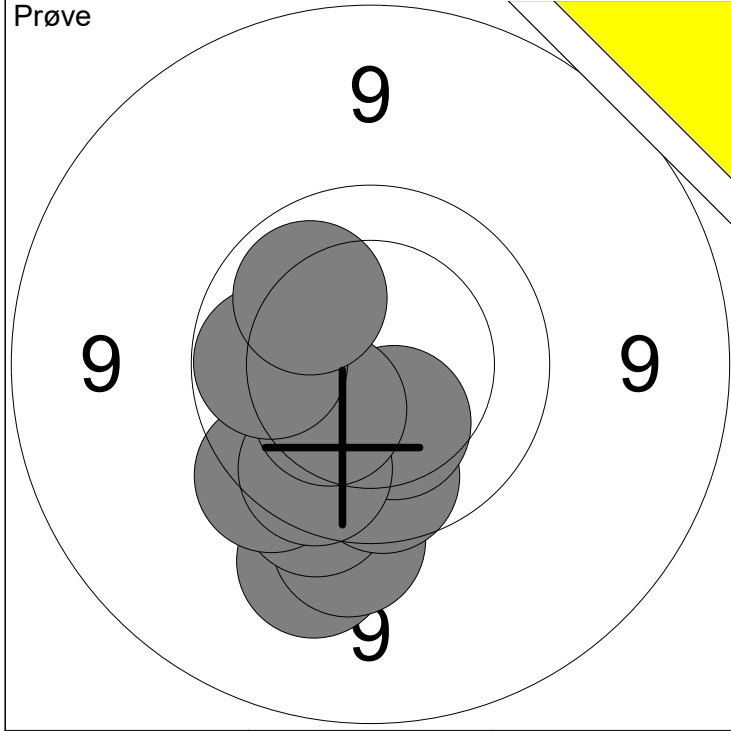
1: 9.8 ↑	6: 10.2 ↙	Serie	92 (0x)
2: 8.9 →	7: 10.1 ↙		
3: 9.5 ↗	8: 9.5 ↘	Total	0 (0x)
4: 10.2 ↗	9: 9.0 ↘		
5: 8.8 →	10: 10.0 ↘		

11: 9.3 ←	Serie	9 (0x)
	Total	0 (0x)



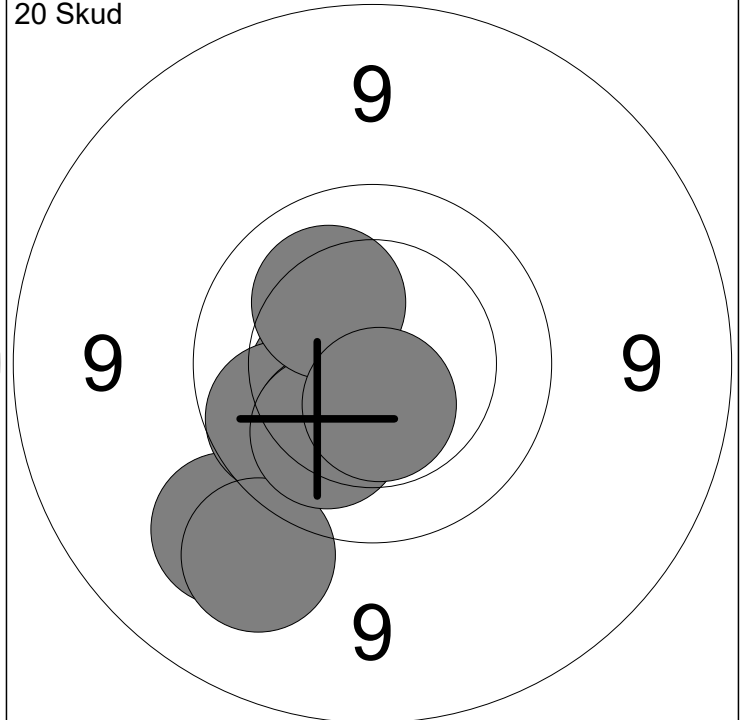
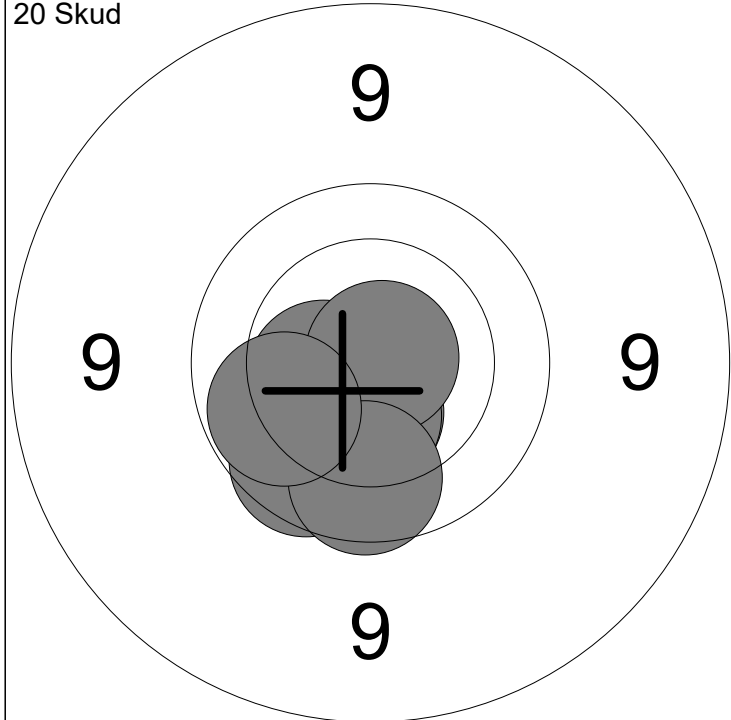
1: 10.2 ↘	6: 9.9 ↘	Serie	90 (0x)
2: 9.4 →	7: 9.8 ↘		
3: 8.9 →	8: 8.9 ↘	Total	90 (0x)
4: 10.3 ↘	9: 9.5 ↘		
5: 9.4 →	10: 9.2 →		

11: 9.5 ↓	16: 10.2 ↗	Serie	96 (1x)
12: 9.5 ↘	17: 10.2 ←		
13: 9.9 →	18: 10.3 →	Total	186 (1x)
14: 10.0 ↗	19: 10.7x ←		
15: 9.6 ↓	20: 10.0 ↘		



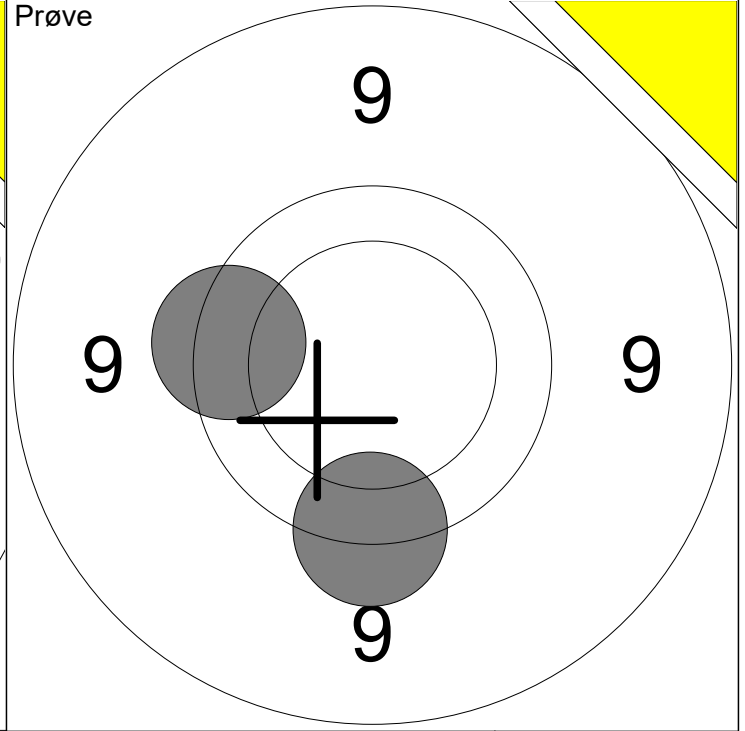
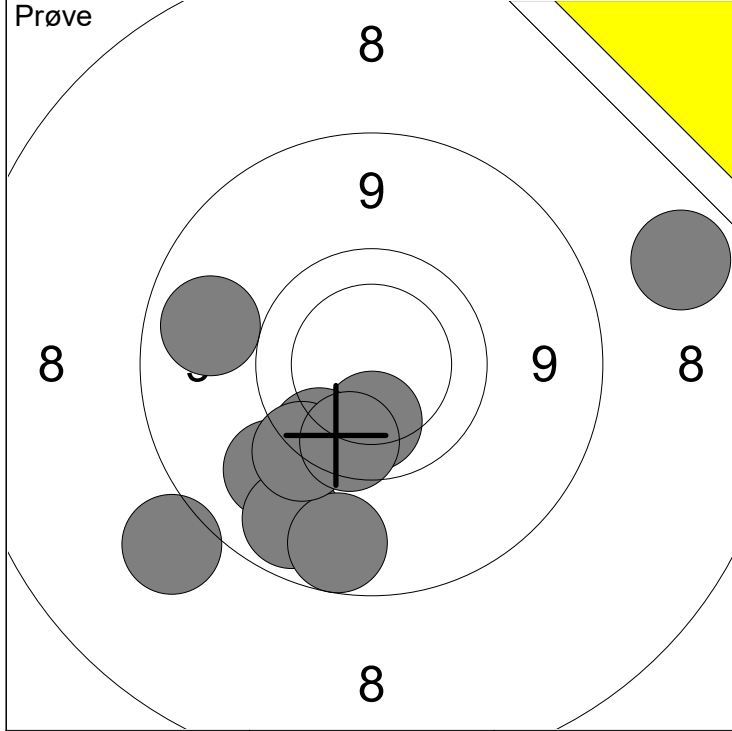
1: 9.4 ↓	6: 9.7 ↙	Serie 94 (0x)
2: 9.5 ↓	7: 9.9 ↓	
3: 9.7 ↓	8: 10.4 ↙	Total 0 (0x)
4: 9.9 ↓	9: 10.0 ←	
5: 10.3 ↓	10: 10.1 ↖	

11: 9.7 ↗	Serie 19 (1x)
12: 10.6x ↙	
Total 0 (0x)	



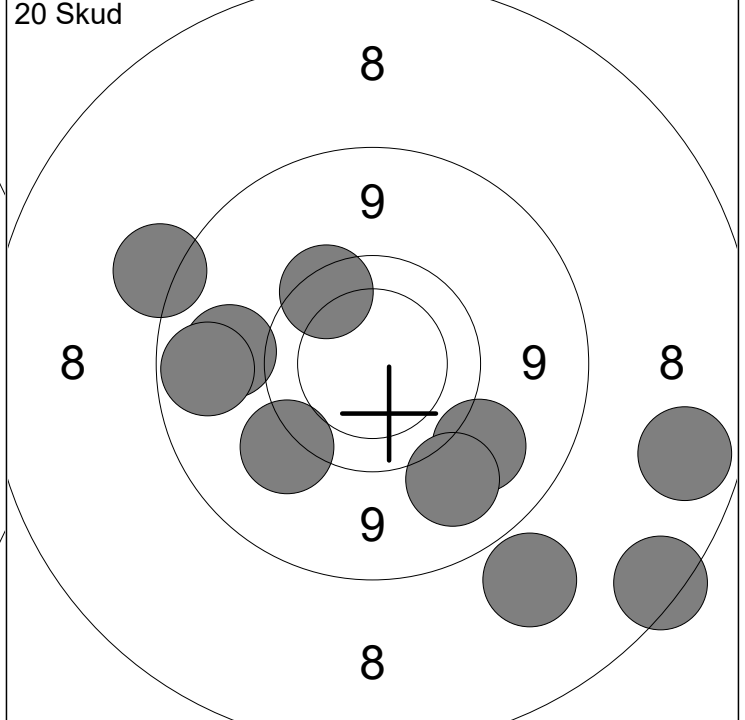
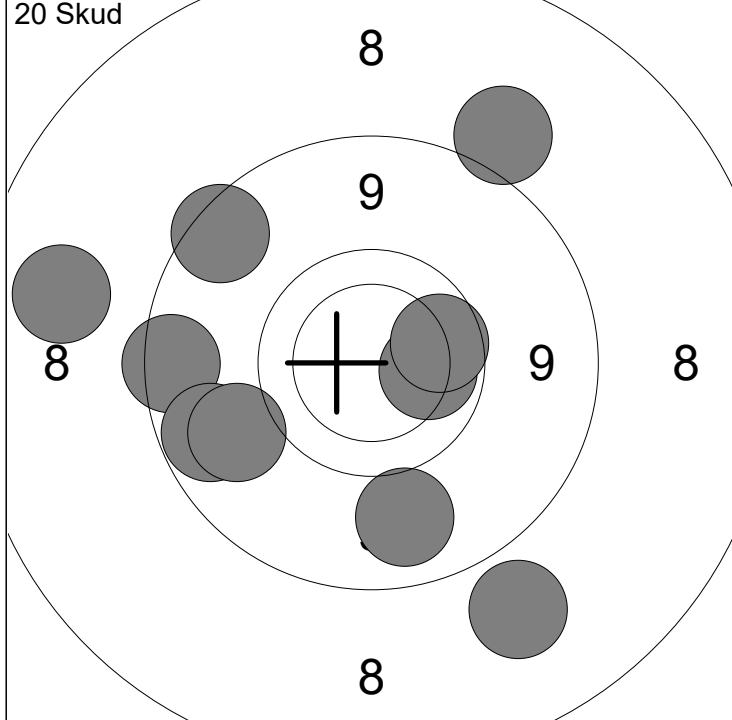
1: 9.9 ↓	6: 10.4 ↙	Serie 98 (2x)
2: 10.3 ↙	7: 10.5 ←	
3: 10.5x ↓	8: 10.8x ↗	Total 98 (2x)
4: 10.5 ↓	9: 9.9 ↓	
5: 10.4 ↓	10: 10.0 ←	

11: 9.3 ↙	16: 9.3 ↓	Serie 97 (1x)
12: 10.5 ←	17: 10.2 ↓	
13: 10.2 ↙	18: 10.1 ↓	Total 195 (3x)
14: 10.1 ↙	19: 10.2 ↖	
15: 9.9 ↙	20: 10.5x ↓	



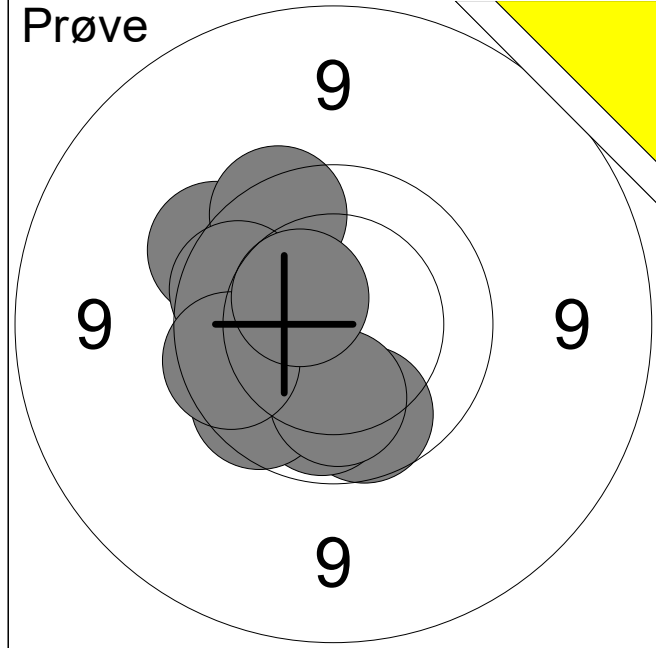
1: 8.1 →	6: 9.1 ←	Serie	88 (0x)
2: 10.1 ↓	7: 9.0 ↓		
3: 9.3 ↙	8: 8.9 ↓	Total	0 (0x)
4: 9.7 ↙	9: 9.6 ↙		
5: 8.5 ↙	10: 9.8 ↓		

11: 9.6 ↓	Serie	18 (0x)
12: 9.7 ←		
	Total	0 (0x)

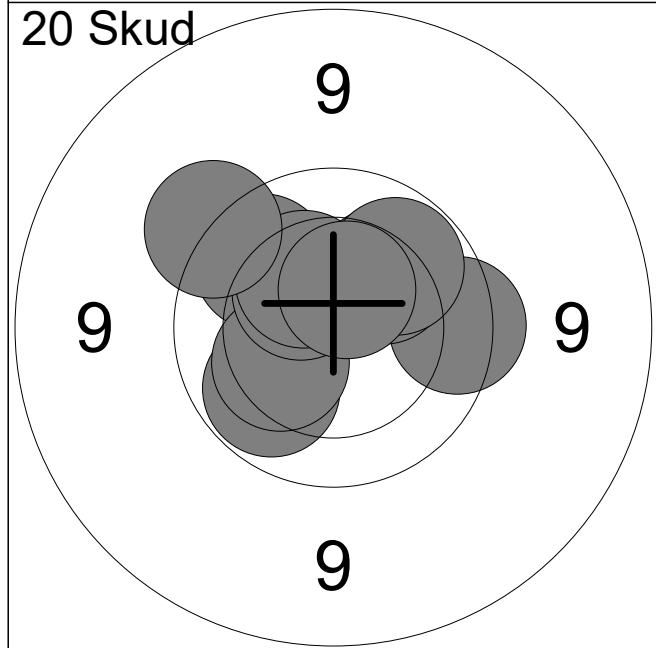


1: 8.8 ↖	6: 10.1 →	Serie	86 (0x)
2: 8.8 ←	7: 8.5 ↗		
3: 9.1 ↓	8: 9.0 ←	Total	86 (0x)
4: 8.2 ←	9: 9.9 →		
5: 8.3 ↓	10: 9.2 ←		

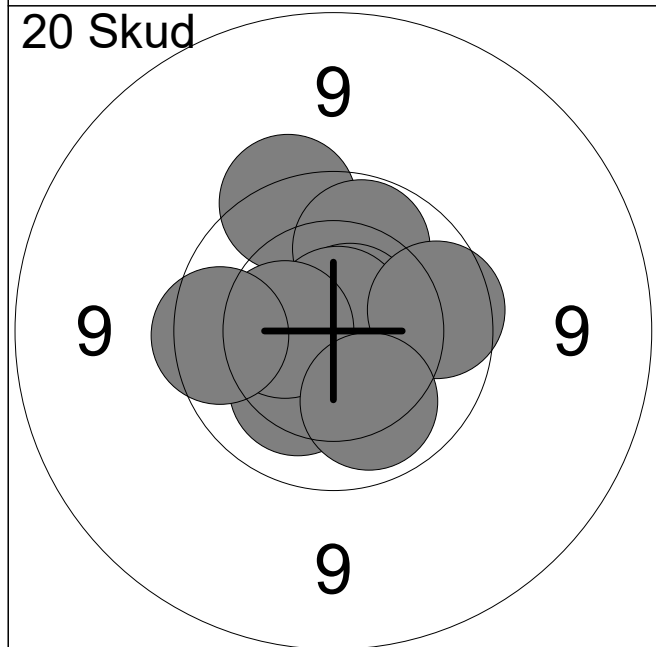
11: 8.4 ↓	16: 9.4 ↙	Serie	85 (0x)
12: 8.6 ↖	17: 9.0 ←		
13: 9.2 ←	18: 9.2 ↙	Total	171 (0x)
14: 9.3 ↓	19: 8.0 →		
15: 7.8 ↓	20: 9.7 ↗		



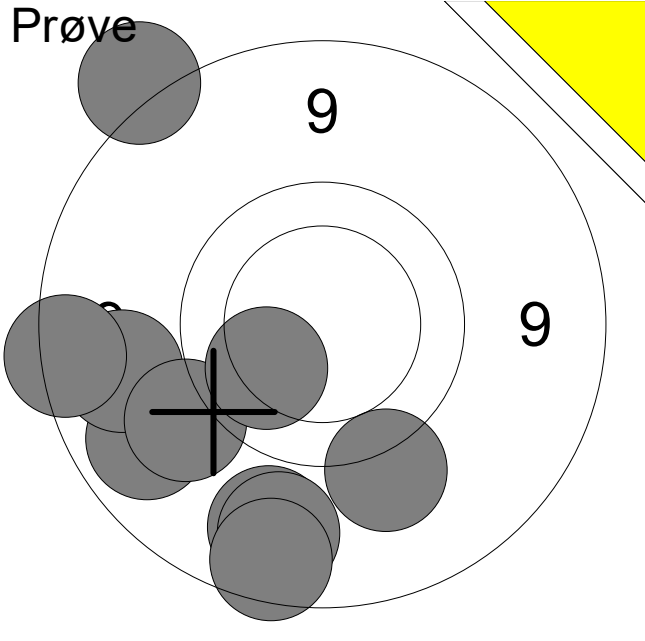
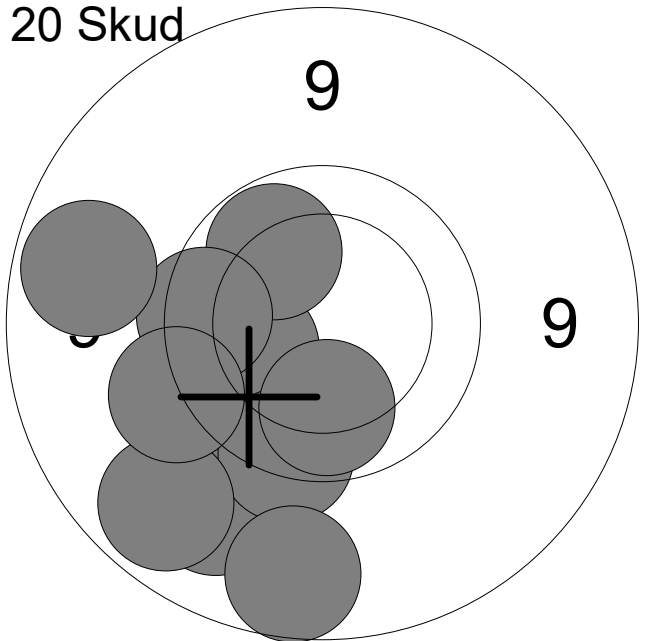
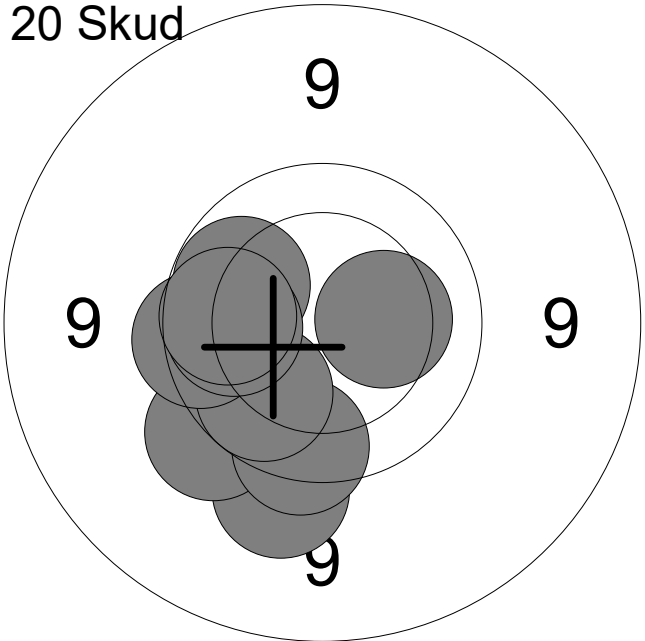
1:	9.9	↓
2:	10.0	↓
3:	10.2	←
4:	9.9	↙
5:	9.6	↗
6:	9.7	↗
7:	9.9	←
8:	10.1	↓
9:	9.8	←
10:	10.5	↖
<b>Serie</b>		<b>94 ( 0x)</b>
<b>Total</b>		<b>0 ( 0x)</b>

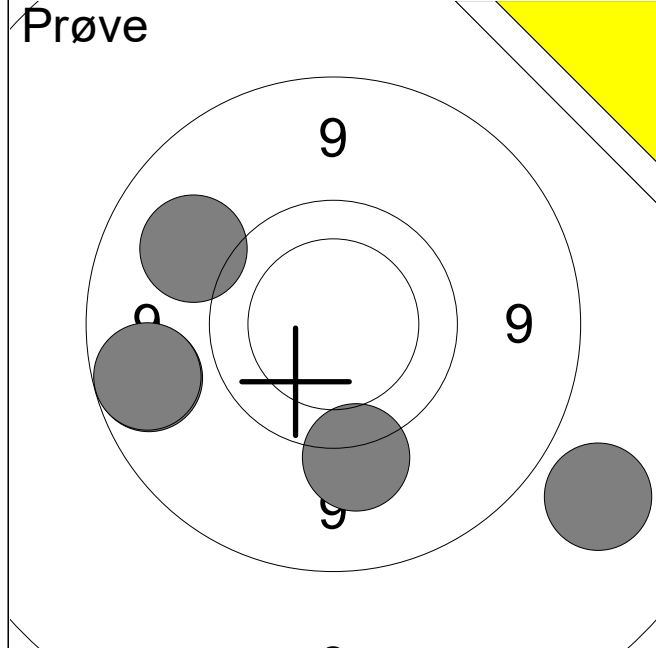


1:	10.0	↙
2:	9.9	↗
3:	10.2	←
4:	9.7	→
5:	10.4	↗
6:	10.3	↗
7:	10.2	↗
8:	10.0	↗
9:	10.5x	↑
10:	9.5	↖
<b>Serie</b>		<b>97 ( 1x)</b>
<b>Total</b>		<b>97 ( 1x)</b>

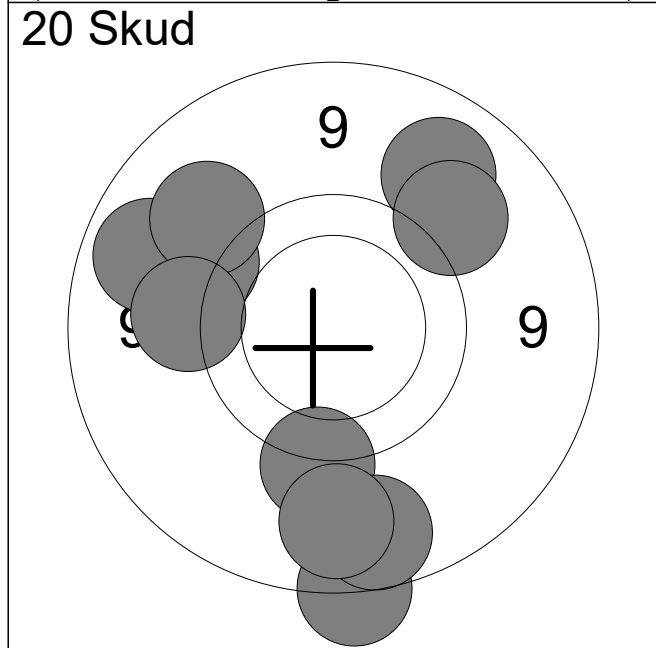


11:	9.7	↑
12:	10.5x	↗
13:	10.0	↑
14:	10.7x	↗
15:	10.2	↙
16:	10.8x	↑
17:	9.9	→
18:	10.4	←
19:	10.1	↓
20:	9.8	←
<b>Serie</b>		<b>97 ( 3x)</b>
<b>Total</b>		<b>194 ( 4x)</b>

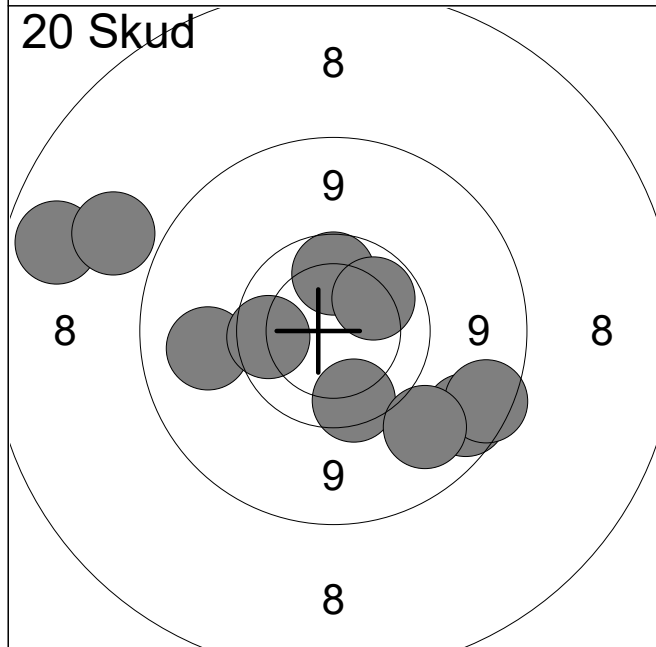
Hold <b>30</b>	Skive <b>12</b>	<b>Michelle Shawnley</b>		
ØSF		Ramløse Idrætsforening Skydning		Å3
18.11.2024		Ølstykke Skydningen 2024		Ølstykke skytteforening
<b>Prøve</b> 	1:	8.6	↗	
	2:	9.0	↖	
	3:	9.1	←	
	4:	9.0	↓	
	5:	8.8	←	
	6:	9.3	↖	
	7:	9.0	↓	
	8:	8.9	↓	
	9:	9.4	↓	
	10:	10.1	↖	
Serie		88 ( 0x)		
Total		0 ( 0x)		
<b>20 Skud</b> 	1:	9.2	↘	
	2:	10.1	←	
	3:	9.7	↓	
	4:	10.0	↓	
	5:	8.9	↓	
	6:	10.0	↗	
	7:	9.8	←	
	8:	9.0	↘	
	9:	9.5	←	
	10:	9.0	←	
Serie		92 ( 0x)		
Total		92 ( 0x)		
<b>20 Skud</b> 	11:	10.0	↖	
	12:	9.4	↓	
	13:	9.6	↘	
	14:	9.7	↓	
	15:	9.9	↘	
	16:	10.3	→	
	17:	9.9	←	
	18:	9.7	←	
	19:	10.0	←	
	20:	9.9	←	
Serie		93 ( 0x)		
Total		185 ( 0x)		



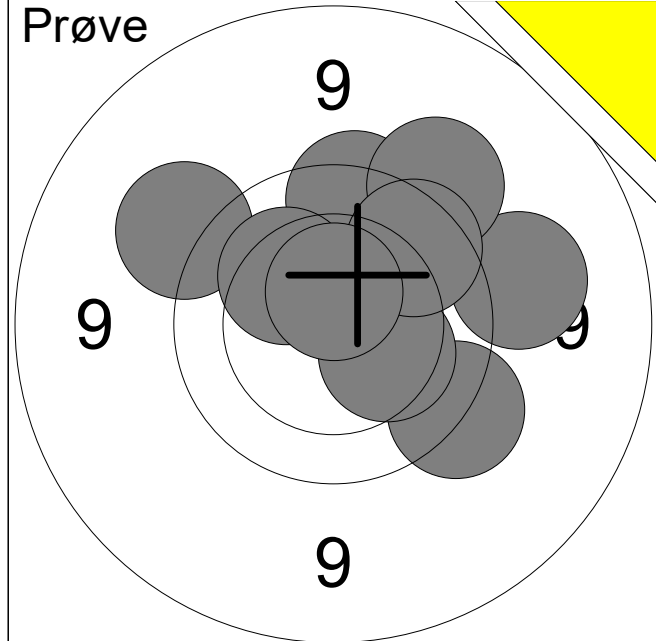
1:	9.2	↗
2:	9.0	↖
3:	8.3	↘
4:	9.4	↓
5:	9.0	↖
<b>Serie</b>		<b>44 ( 0x)</b>
<b>Total</b>		<b>0 ( 0x)</b>



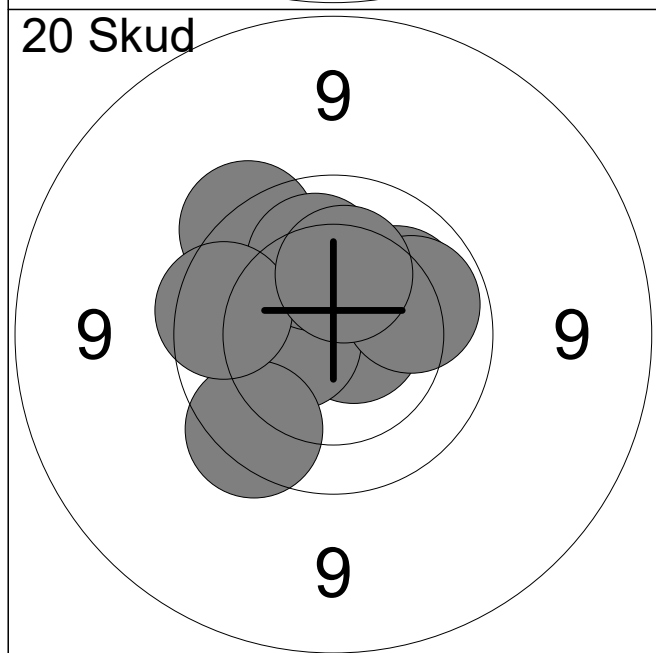
1:	9.1	↗
2:	9.4	↖
3:	9.5	↓
4:	8.7	↓
5:	8.9	↓
6:	9.0	↖
7:	9.3	↗
8:	9.3	↗
9:	9.4	↖
10:	9.1	↓
<b>Serie</b>		<b>88 ( 0x)</b>
<b>Total</b>		<b>88 ( 0x)</b>



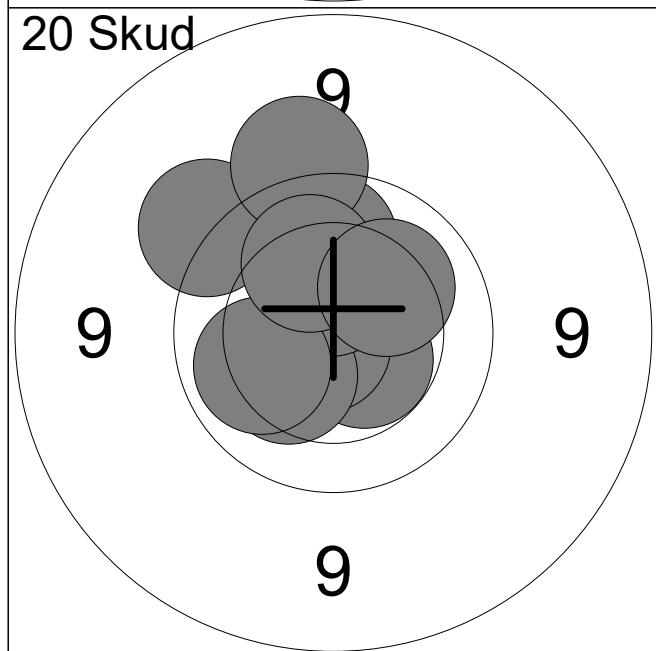
11:	8.9	↘
12:	8.8	↘
13:	8.0	↖
14:	8.4	↖
15:	9.9	↑
16:	9.2	↖
17:	10.0	↗
18:	9.8	↖
19:	9.8	↓
20:	9.1	↘
<b>Serie</b>		<b>87 ( 0x)</b>
<b>Total</b>		<b>175 ( 0x)</b>



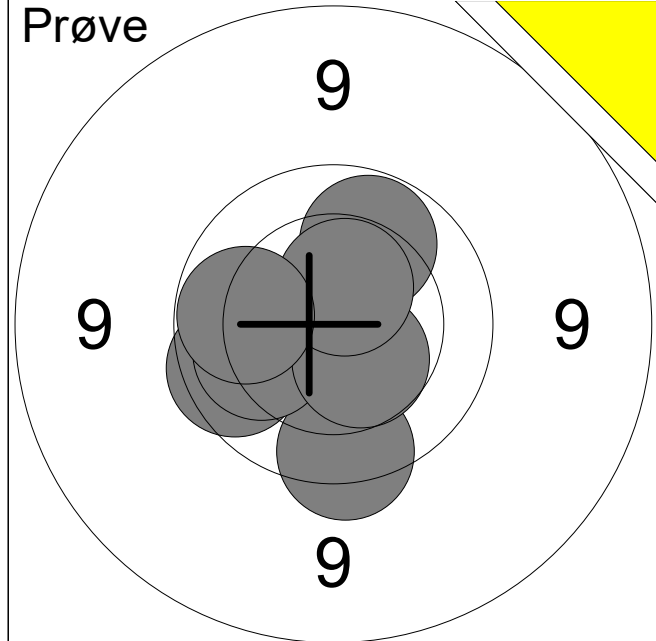
1:	9.4	↖
2:	9.7	↑
3:	9.6	↘
4:	9.3	→
5:	9.4	↗
6:	10.2	↗
7:	10.3	↘
8:	9.8	↗
9:	10.6x	↑
<b>Serie</b>		<b>84 ( 1x)</b>
<b>Total</b>		<b>0 ( 0x)</b>



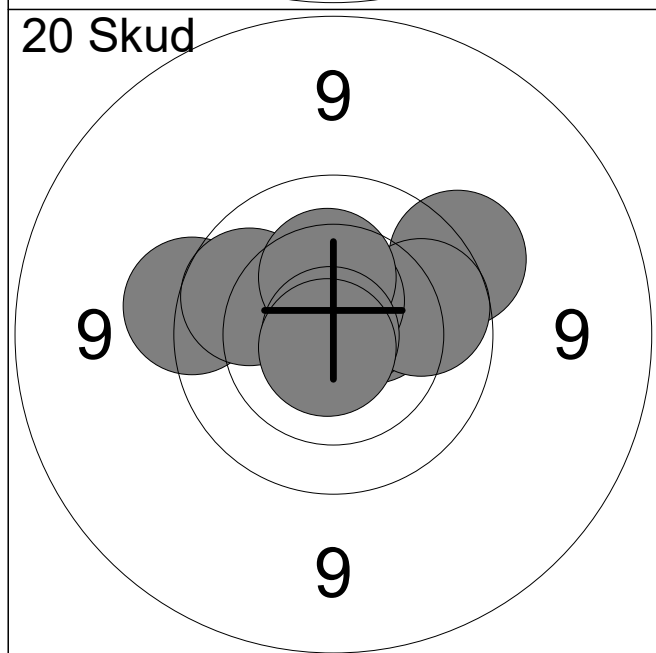
1:	10.1	↗
2:	10.7x	→
3:	10.4	↖
4:	10.5x	←
5:	9.7	↘
6:	9.7	↗
7:	10.0	→
8:	10.1	↑
9:	9.8	←
10:	10.3	↑
<b>Serie</b>		<b>97 ( 2x)</b>
<b>Total</b>		<b>97 ( 2x)</b>



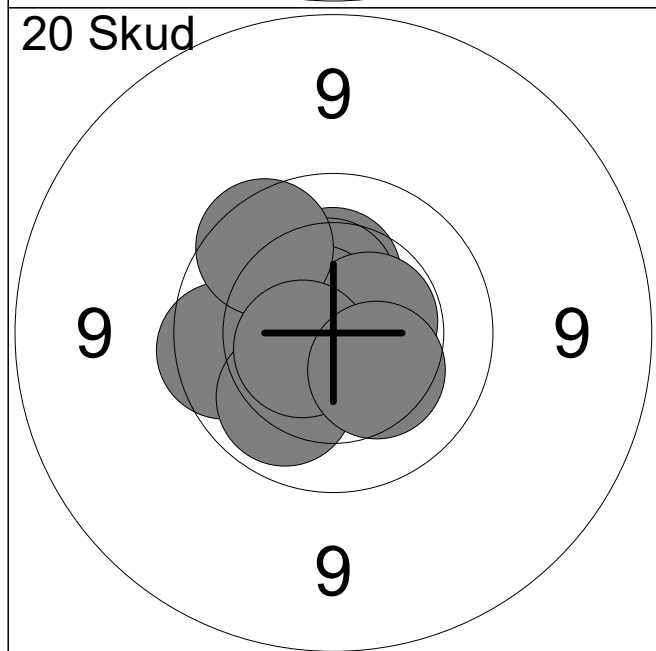
11:	9.5	↖
12:	10.5x	↘
13:	9.9	↑
14:	10.8x	↘
15:	10.3	↘
16:	10.4	↑
17:	9.4	↑
18:	10.1	←
19:	10.1	↑
20:	10.2	↗
<b>Serie</b>		<b>97 ( 2x)</b>
<b>Total</b>		<b>194 ( 4x)</b>



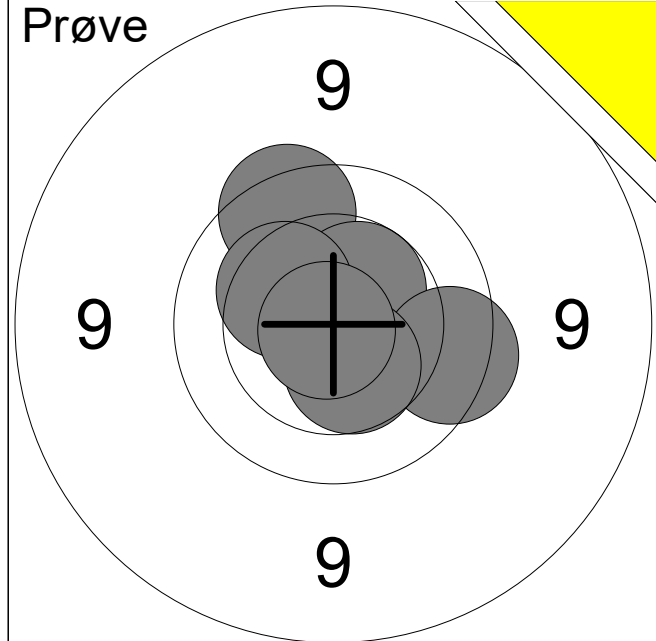
1:	9.7	↓
2:	10.2	←
3:	9.8	←
4:	10.1	←
5:	10.5	↘
6:	10.0	↗
7:	10.5x	↗
8:	10.0	←
<b>Serie</b>		<b>78 ( 1x)</b>
<b>Total</b>		<b>0 ( 0x)</b>



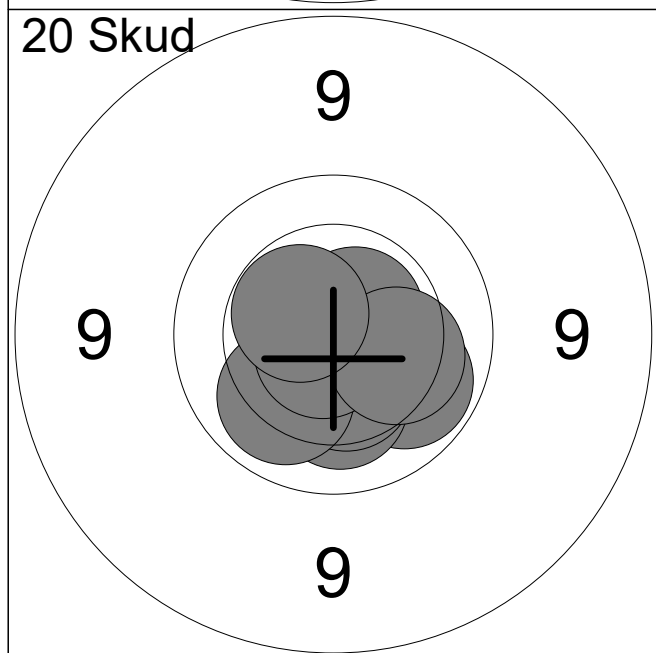
1:	10.5	↗
2:	9.6	←
3:	9.6	↗
4:	10.7x	↗
5:	9.9	←
6:	9.9	→
7:	10.6x	↑
8:	10.3	↑
9:	10.9x	←
10:	10.8x	↓
<b>Serie</b>		<b>96 ( 4x)</b>
<b>Total</b>		<b>96 ( 4x)</b>



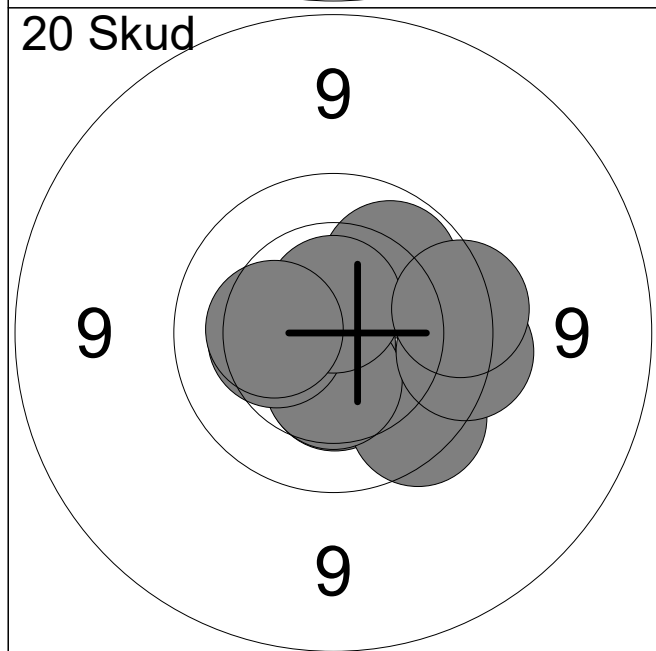
11:	10.3	↑
12:	10.5	↘
13:	10.4	↑
14:	10.7x	↗
15:	9.8	←
16:	10.5x	→
17:	9.8	↗
18:	10.1	↘
19:	10.6x	←
20:	10.3	↘
<b>Serie</b>		<b>98 ( 3x)</b>
<b>Total</b>		<b>194 ( 7x)</b>



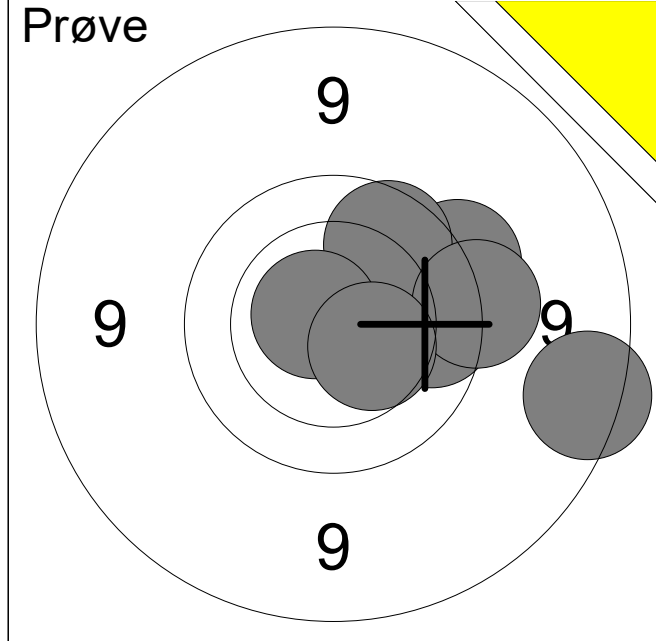
1:	9.8	↖
2:	10.5	↗
3:	10.3	↗
4:	9.8	→
5:	10.5	↘
6:	10.8x	↙
<b>Serie</b>		<b>58 ( 1x)</b>
<b>Total</b>		<b>0 ( 0x)</b>



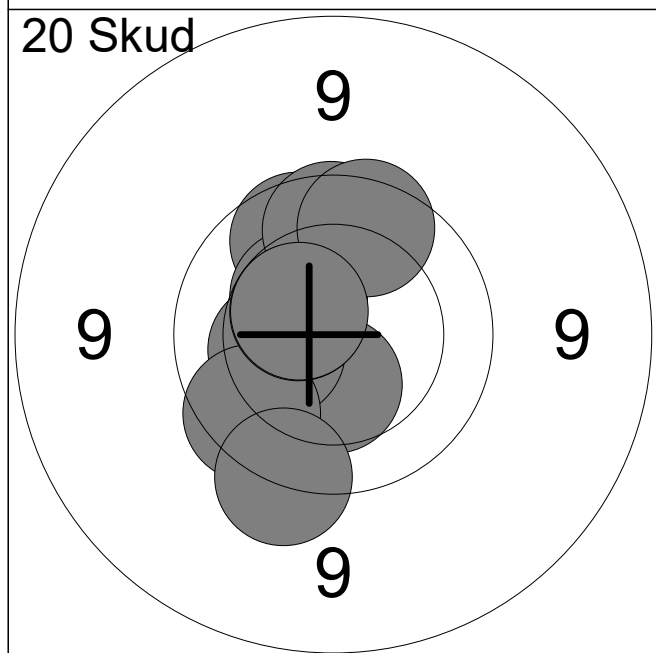
1:	10.6x	→
2:	10.3	↘
3:	10.0	↘
4:	10.6x	↗
5:	10.2	↘
6:	10.4	↘
7:	10.1	↘
8:	10.7x	↘
9:	10.2	→
10:	10.5x	↗
<b>Serie</b>		<b>100 ( 4x)</b>
<b>Total</b>		<b>100 ( 4x)</b>



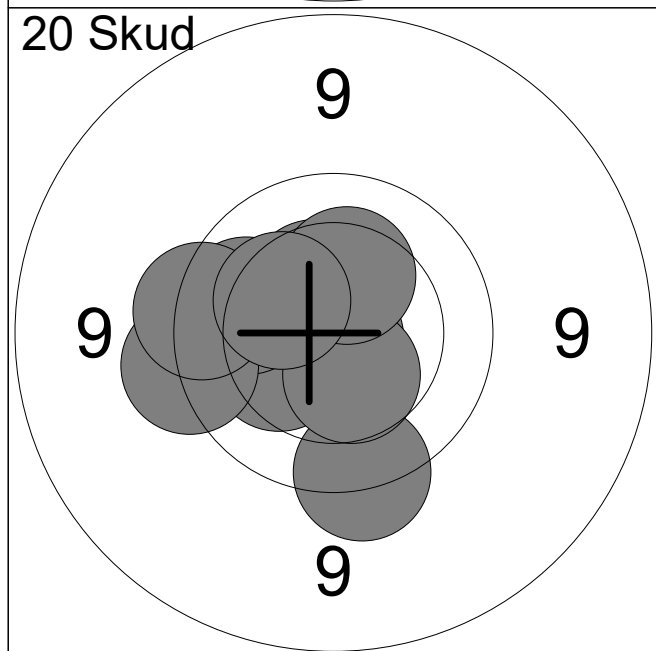
11:	10.4	↘
12:	9.8	↘
13:	10.0	↗
14:	10.8x	↘
15:	10.4	↘
16:	10.3	←
17:	10.6x	↑
18:	9.7	→
19:	9.7	→
20:	10.3	←
<b>Serie</b>		<b>97 ( 2x)</b>
<b>Total</b>		<b>197 ( 6x)</b>



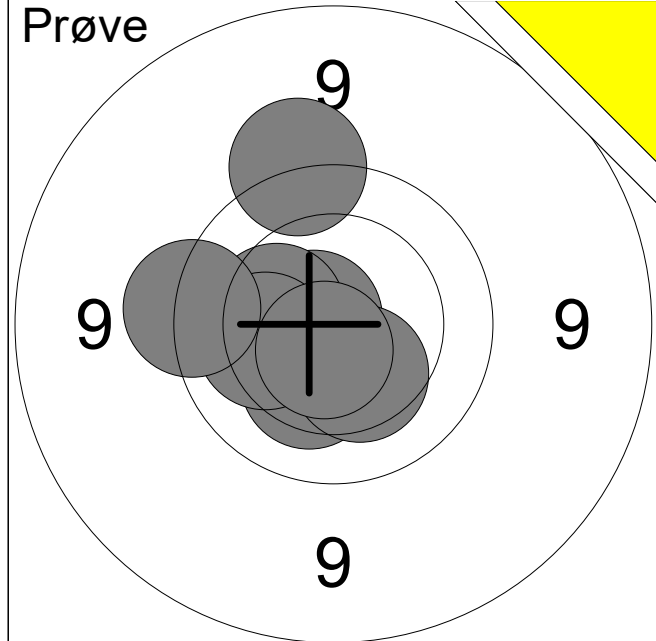
1:	9.9	→
2:	9.6	↗
3:	9.9	↗
4:	9.5	→
5:	8.8	↘
6:	10.7x	↗
7:	10.4	↘
<b>Serie</b>		<b>64 ( 1x)</b>
<b>Total</b>		<b>0 ( 0x)</b>



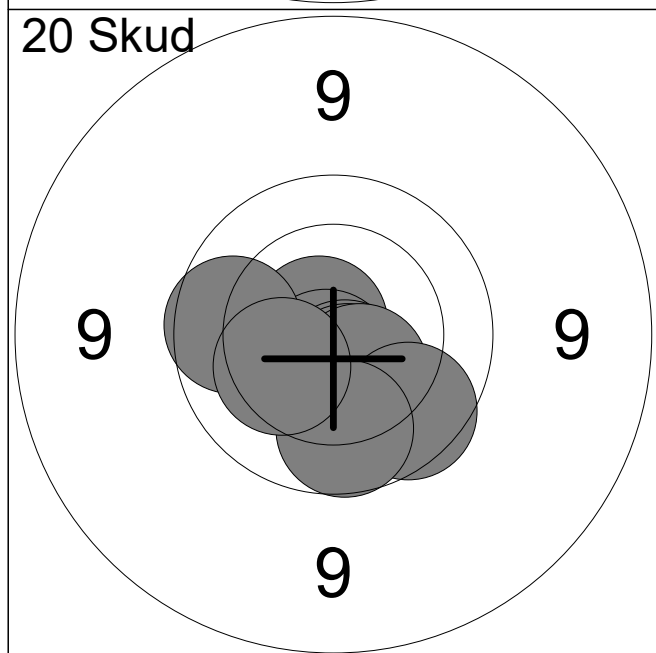
1:	10.4	↓
2:	9.9	↗
3:	10.4	↗
4:	9.9	↑
5:	9.8	↗
6:	10.3	←
7:	9.8	↘
8:	9.6	↘
9:	10.5x	↗
10:	10.5x	↗
<b>Serie</b>		<b>95 ( 2x)</b>
<b>Total</b>		<b>95 ( 2x)</b>



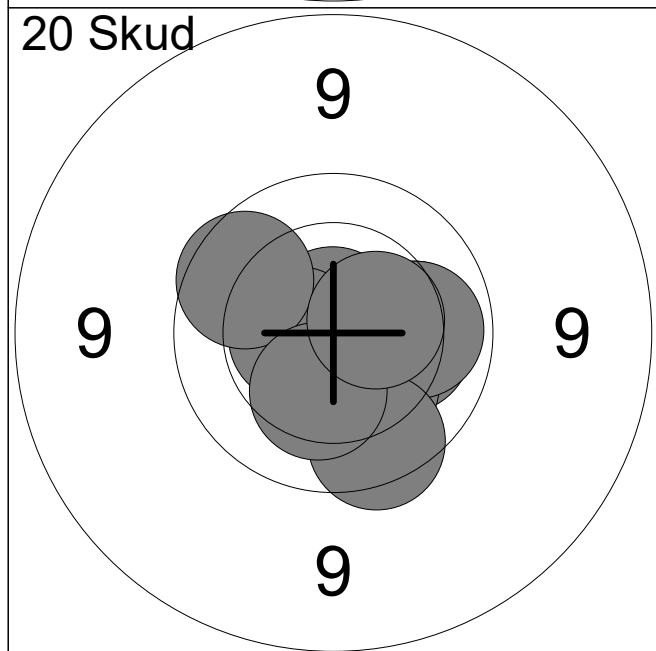
11:	10.9x	↓
12:	10.4	↗
13:	10.3	←
14:	9.9	←
15:	9.6	↘
16:	10.4	↘
17:	9.6	←
18:	9.7	←
19:	10.3	↑
20:	10.3	↖
<b>Serie</b>		<b>96 ( 1x)</b>
<b>Total</b>		<b>191 ( 3x)</b>



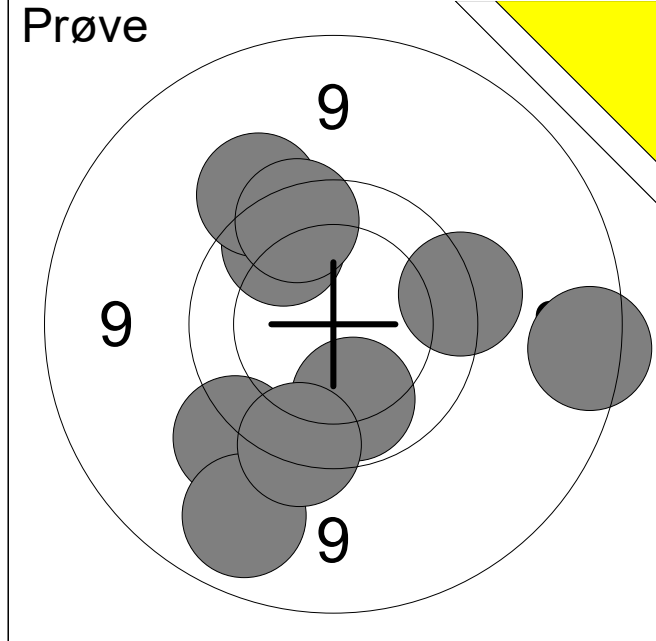
1:	9.5	↑
2:	10.3	↓
3:	10.7x	←
4:	10.3	↓
5:	10.3	←
6:	10.2	←
7:	9.6	←
8:	10.6x	↓
<b>Serie</b>		<b>78 ( 2x)</b>
<b>Total</b>		<b>0 ( 0x)</b>



1:	10.8x	↗
2:	10.7x	↓
3:	10.6x	↓
4:	10.1	↓
5:	9.9	←
6:	10.5x	↓
7:	10.4	↓
8:	9.8	↓
9:	9.9	↓
10:	10.3	↙
<b>Serie</b>		<b>97 ( 4x)</b>
<b>Total</b>		<b>97 ( 4x)</b>



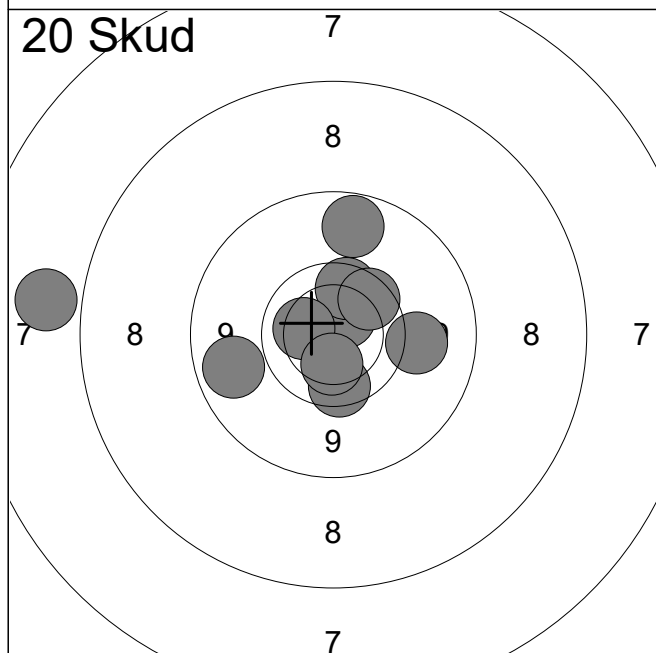
11:	10.8x	↑
12:	10.2	→
13:	10.2	↓
14:	10.5x	←
15:	10.1	→
16:	10.0	→
17:	9.9	↗
18:	9.8	↓
19:	10.3	↓
20:	10.5	→
<b>Serie</b>		<b>98 ( 2x)</b>
<b>Total</b>		<b>195 ( 6x)</b>



1:	10.0	↓
2:	9.5	↙
3:	9.1	↙
4:	9.7	↙
5:	8.8	→
6:	9.9	↗
7:	9.5	↗
8:	9.8	↗
9:	9.6	→

Serie 81 ( 0x)

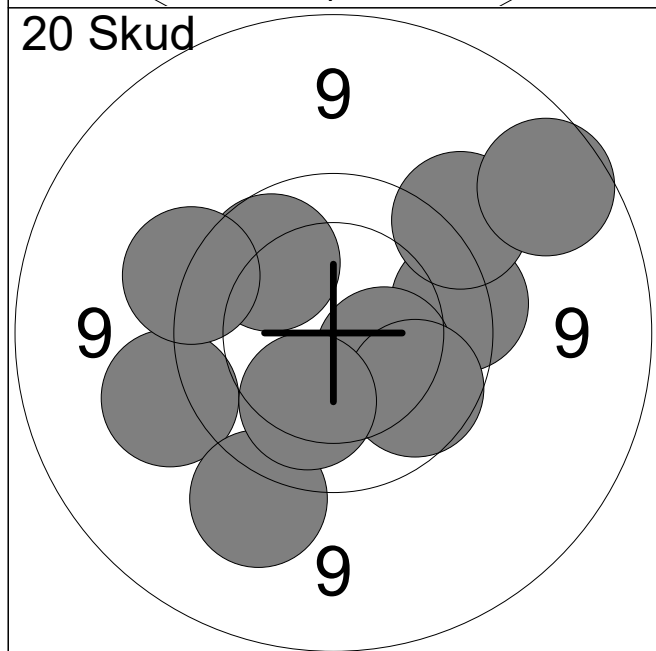
Total 0 ( 0x)



1:	10.4	↗
2:	9.0	↑
3:	9.8	↓
4:	9.9	↑
5:	7.3	←
6:	10.2	←
7:	9.8	↗
8:	10.2	↓
9:	9.4	→
10:	9.1	←

Serie 91 ( 0x)

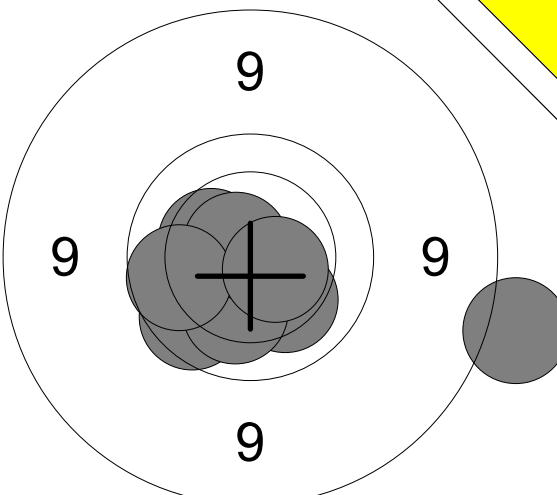
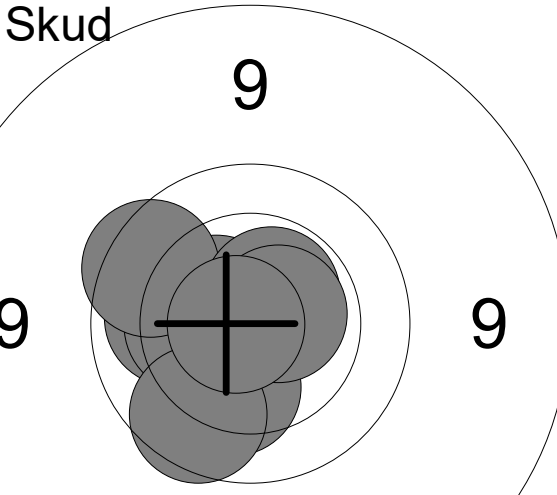
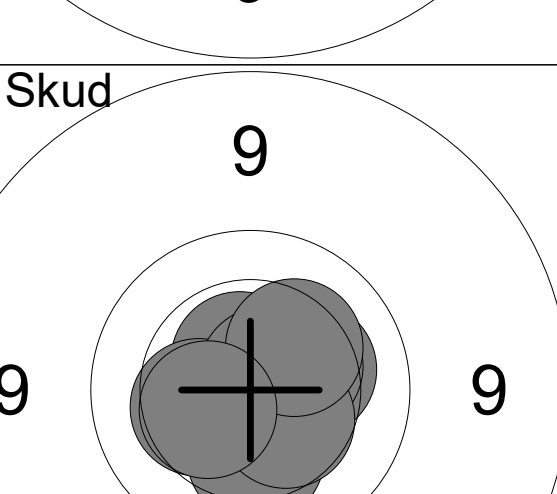
Total 91 ( 0x)

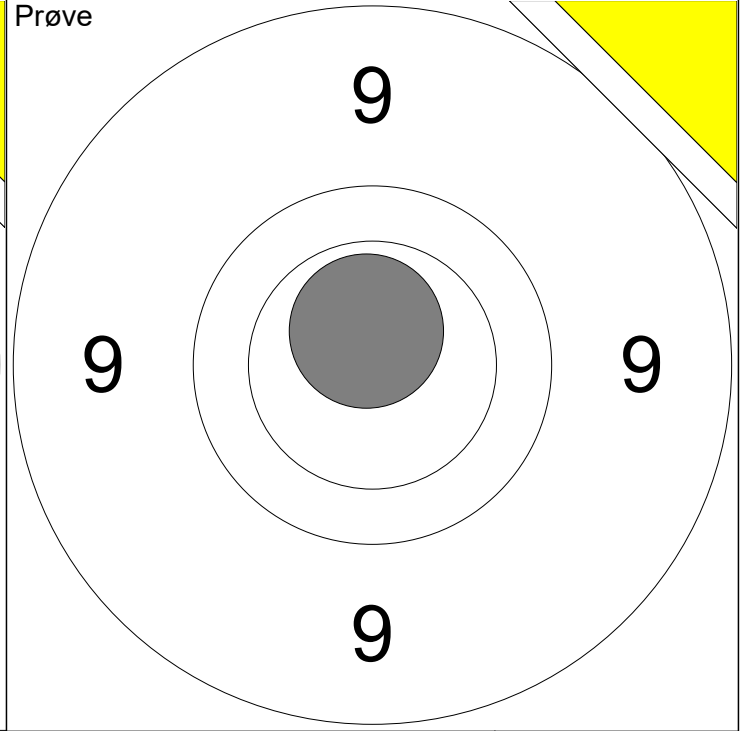
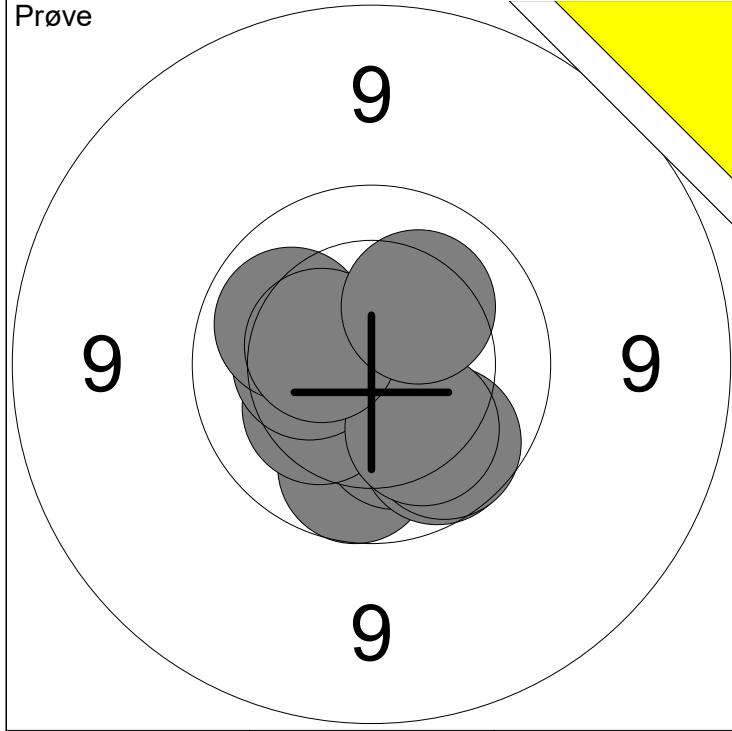


11:	9.9	↗
12:	9.7	→
13:	10.3	↘
14:	9.4	←
15:	9.5	↗
16:	9.4	↙
17:	9.9	↘
18:	10.1	↓
19:	9.6	←
20:	8.9	↗

Serie 91 ( 0x)

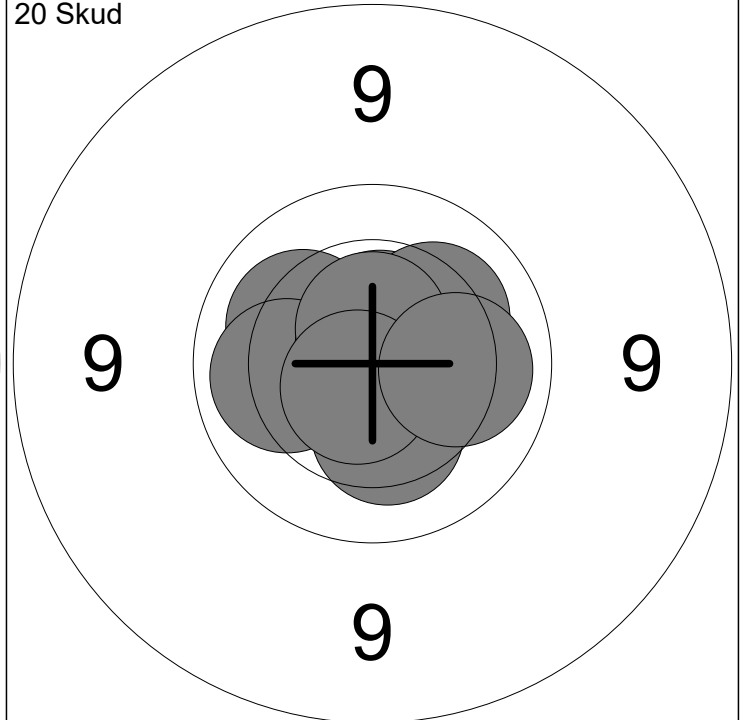
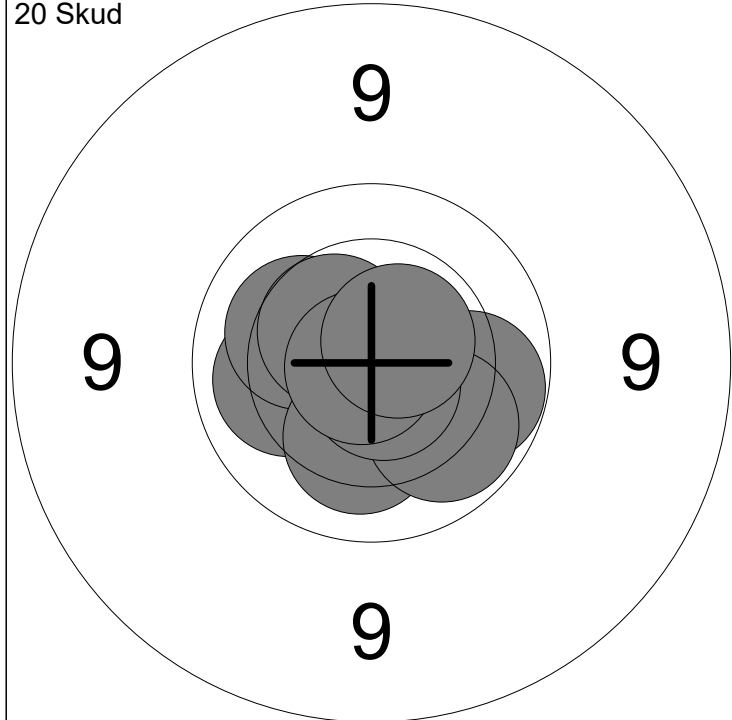
Total 182 ( 0x)

Hold <b>31</b>	Skive <b>9</b>	<b>Thomas Pedersen</b>		
ØSF		Jørlunde Skytteforening	Å2	
18.11.2024		Ølstykke Skydningen 2024	Ølstykke skytteforening	
<b>Prøve</b> 		1: 10.2 ↘ 2: 8.5 → 3: 9.8 ↙ 4: 10.2 ↓ 5: 10.3 ← 6: 10.7x ↗ 7: 9.9 ← 8: 10.6x ↘	Serie 76 ( 2x) Total 0 ( 0x)	
<b>20 Skud</b> 		1: 10.2 ↓ 2: 10.5x ↖ 3: 10.1 ← 4: 10.5 ← 5: 10.3 ← 6: 9.9 ↓ 7: 9.8 ↖ 8: 10.6x ↗ 9: 10.6x → 10: 10.8x ←	Serie 98 ( 4x) Total 98 ( 4x)	
<b>20 Skud</b> 		11: 10.6x ↑ 12: 10.3 ← 13: 10.2 ↓ 14: 10.7x ↗ 15: 10.3 → 16: 10.6x → 17: 10.4 ↗ 18: 10.4 ↘ 19: 10.3 ↗ 20: 10.4 ←	Serie 100 ( 3x) Total 198 ( 7x)	



1: 9.9 ↓	6: 9.9 ↘	Serie	97 (0x)
2: 10.2 ↓	7: 10.1 ↘		
3: 9.9 ↓	8: 10.1 ↗	Total	0 (0x)
4: 10.3 ↙	9: 10.4 ↖		
5: 10.3 ←	10: 10.2 ↗		

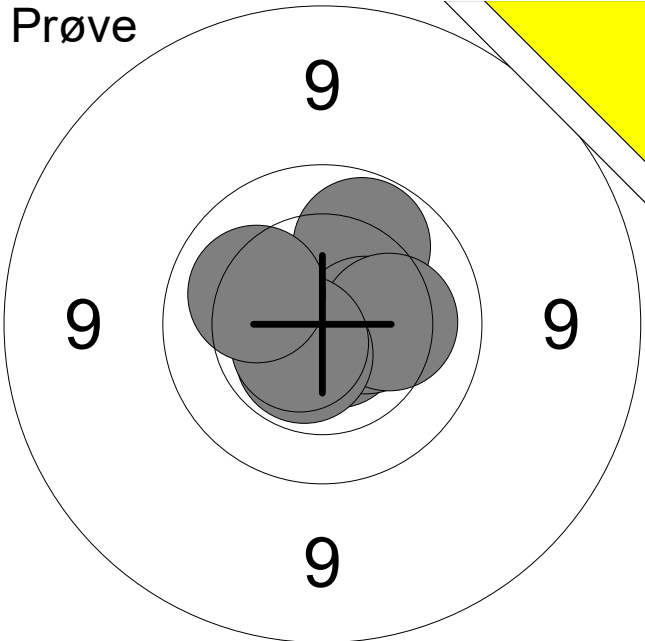
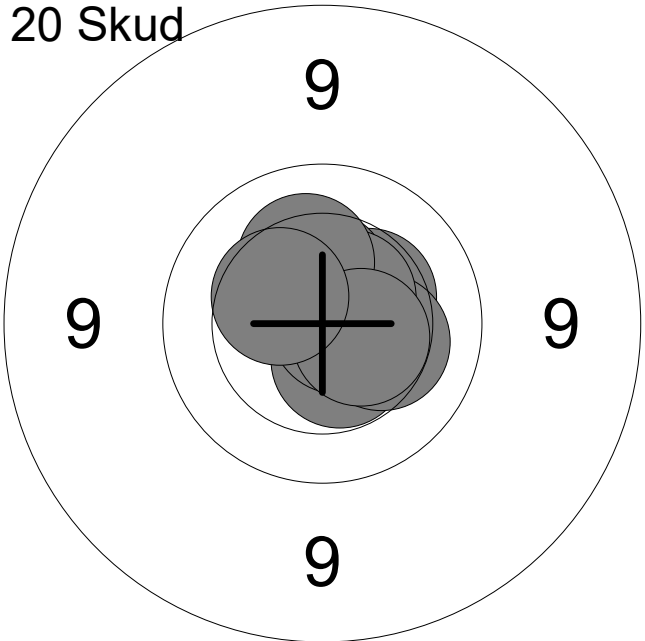
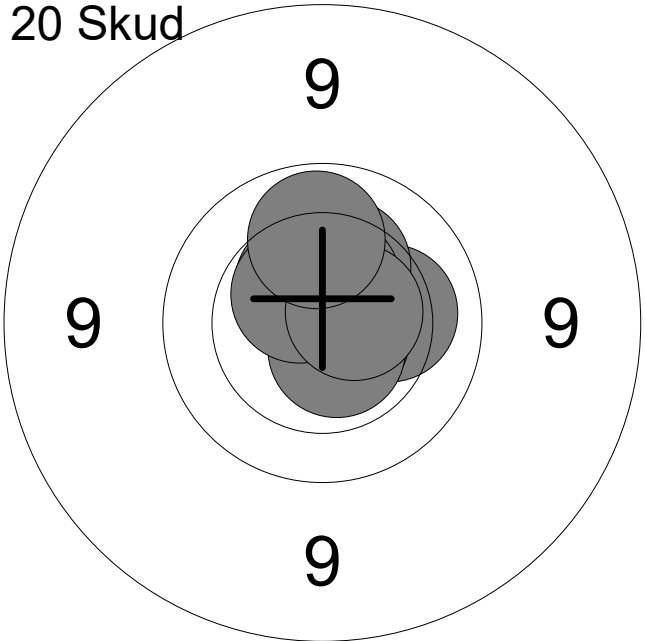
11: 10.6x ↑	Serie	10 (1x)
	Total	0 (0x)

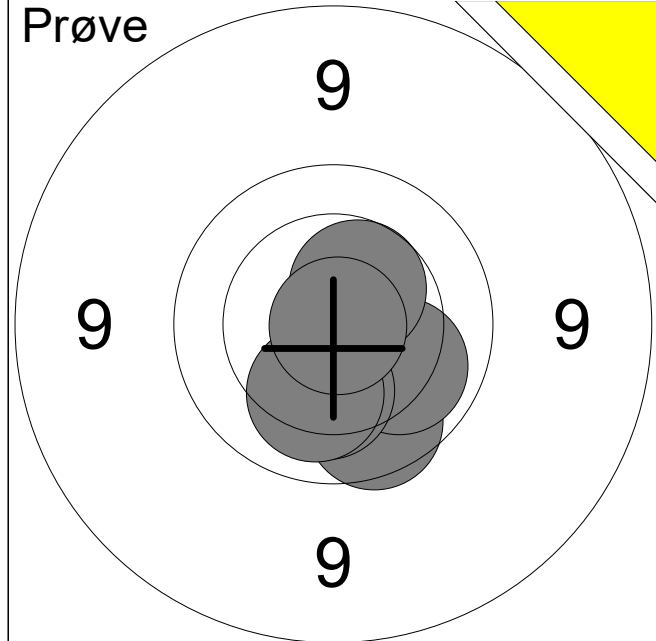


1: 10.1 ←	6: 10.0 ↘	Serie	100 (4x)
2: 10.0 →	7: 10.8x ↗		
3: 10.2 ↖	8: 10.7x ↘	Total	100 (4x)
4: 10.2 ↓	9: 10.8x ↖		
5: 10.5 ↖	10: 10.6x ↗		

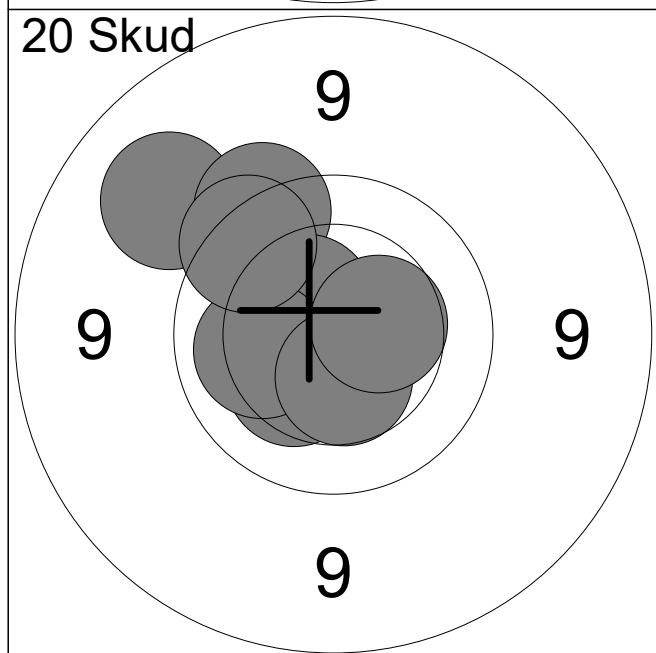
11: 10.6x ↑	16: 10.3 ↓	Serie	100 (5x)
12: 10.7x →	17: 10.8x ↑		
13: 10.2 ↗	18: 10.6x ↑	Total	200 (9x)
14: 10.2 ↖	19: 10.7x ↘		
15: 10.1 ←	20: 10.1 →		

Hold <b>32</b>	Skive <b>2</b>	<b>Emil Lind Forsmark</b>																																
ØSF		Helsingør Salonskytte Forening		MJ2																														
18.11.2024		Ølstykke Skydningen 2024		Ølstykke skytteforening																														
<b>Prøve</b>		<table border="0"> <tr><td>1:</td><td>9.9</td><td>↑</td></tr> <tr><td>2:</td><td>10.4</td><td>↖</td></tr> <tr><td>3:</td><td>10.4</td><td>↖</td></tr> <tr><td>4:</td><td>9.7</td><td>↑</td></tr> <tr><td>5:</td><td>9.4</td><td>↗</td></tr> <tr><td>6:</td><td>9.9</td><td>↗</td></tr> <tr><td>7:</td><td>10.5x</td><td>↗</td></tr> <tr><td>8:</td><td>10.5</td><td>↑</td></tr> <tr><td>9:</td><td>10.4</td><td>→</td></tr> </table>			1:	9.9	↑	2:	10.4	↖	3:	10.4	↖	4:	9.7	↑	5:	9.4	↗	6:	9.9	↗	7:	10.5x	↗	8:	10.5	↑	9:	10.4	→			
1:	9.9	↑																																
2:	10.4	↖																																
3:	10.4	↖																																
4:	9.7	↑																																
5:	9.4	↗																																
6:	9.9	↗																																
7:	10.5x	↗																																
8:	10.5	↑																																
9:	10.4	→																																
		Serie		86 ( 1x)																														
		Total		0 ( 0x)																														
<b>20 Skud</b>		<table border="0"> <tr><td>1:</td><td>10.6x</td><td>↑</td></tr> <tr><td>2:</td><td>9.8</td><td>↗</td></tr> <tr><td>3:</td><td>10.3</td><td>↗</td></tr> <tr><td>4:</td><td>9.7</td><td>→</td></tr> <tr><td>5:</td><td>10.2</td><td>↖</td></tr> <tr><td>6:</td><td>9.9</td><td>↖</td></tr> <tr><td>7:</td><td>10.1</td><td>←</td></tr> <tr><td>8:</td><td>10.6x</td><td>←</td></tr> <tr><td>9:</td><td>10.5x</td><td>→</td></tr> <tr><td>10:</td><td>10.0</td><td>↓</td></tr> </table>			1:	10.6x	↑	2:	9.8	↗	3:	10.3	↗	4:	9.7	→	5:	10.2	↖	6:	9.9	↖	7:	10.1	←	8:	10.6x	←	9:	10.5x	→	10:	10.0	↓
1:	10.6x	↑																																
2:	9.8	↗																																
3:	10.3	↗																																
4:	9.7	→																																
5:	10.2	↖																																
6:	9.9	↖																																
7:	10.1	←																																
8:	10.6x	←																																
9:	10.5x	→																																
10:	10.0	↓																																
		Serie		97 ( 3x)																														
		Total		97 ( 3x)																														
<b>20 Skud</b>		<table border="0"> <tr><td>11:</td><td>10.0</td><td>→</td></tr> <tr><td>12:</td><td>10.1</td><td>↓</td></tr> <tr><td>13:</td><td>10.7x</td><td>↓</td></tr> <tr><td>14:</td><td>10.3</td><td>↗</td></tr> <tr><td>15:</td><td>10.4</td><td>→</td></tr> <tr><td>16:</td><td>10.4</td><td>→</td></tr> <tr><td>17:</td><td>10.4</td><td>↓</td></tr> <tr><td>18:</td><td>10.8x</td><td>←</td></tr> <tr><td>19:</td><td>10.0</td><td>↓</td></tr> <tr><td>20:</td><td>10.5x</td><td>↗</td></tr> </table>			11:	10.0	→	12:	10.1	↓	13:	10.7x	↓	14:	10.3	↗	15:	10.4	→	16:	10.4	→	17:	10.4	↓	18:	10.8x	←	19:	10.0	↓	20:	10.5x	↗
11:	10.0	→																																
12:	10.1	↓																																
13:	10.7x	↓																																
14:	10.3	↗																																
15:	10.4	→																																
16:	10.4	→																																
17:	10.4	↓																																
18:	10.8x	←																																
19:	10.0	↓																																
20:	10.5x	↗																																
		Serie		100 ( 3x)																														
		Total		197 ( 6x)																														

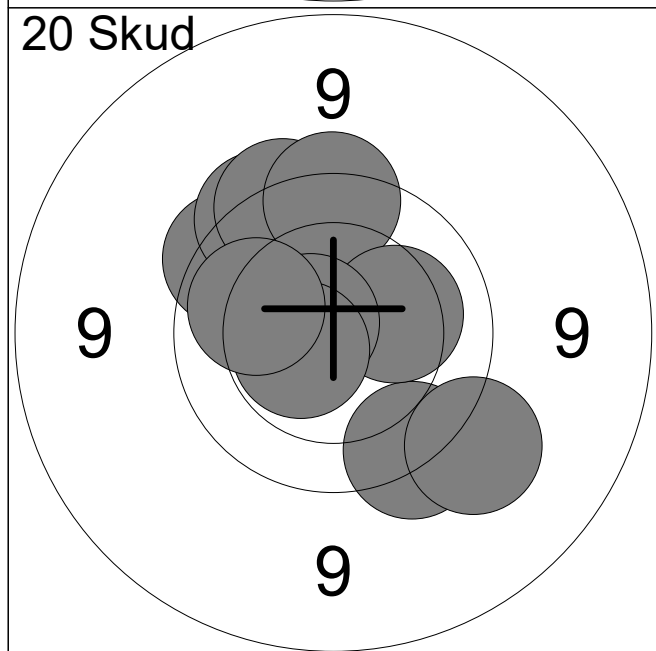
Hold <b>32</b>	Skive <b>3</b>	<b>Oliver Lind Forsmark</b>		
ØSF		Helsingør Salonskytte Forening		MBK1
18.11.2024		Ølstykke Skydningen 2024		Ølstykke skytteforening
<b>Prøve</b> 	1:	10.7x	↘	
	2:	10.6x	→	
	3:	10.0	↗	
	4:	10.5	→	
	5:	10.2	→	
	6:	10.6x	↘	
	7:	10.6x	↙	
	8:	10.2	↖	
	<b>Serie</b>	<b>80 ( 4x)</b>		
	<b>Total</b>	<b>0 ( 0x)</b>		
<b>20 Skud</b> 	1:	10.5x	↗	
	2:	10.4	↗	
	3:	10.4	↑	
	4:	10.5x	↘	
	5:	10.8x	→	
	6:	10.3	↘	
	7:	10.6x	↗	
	8:	10.2	↑	
	9:	10.5x	↘	
	10:	10.4	↗	
	<b>Serie</b>	<b>100 ( 5x)</b>		
	<b>Total</b>	<b>100 ( 5x)</b>		
<b>20 Skud</b> 	11:	10.2	→	
	12:	10.5	↗	
	13:	10.3	↗	
	14:	10.5	↗	
	15:	10.7x	↘	
	16:	10.6x	↘	
	17:	10.5x	↗	
	18:	10.5x	↗	
	19:	10.6x	→	
	20:	10.0	↑	
	<b>Serie</b>	<b>100 ( 5x)</b>		
	<b>Total</b>	<b>200 (10x)</b>		



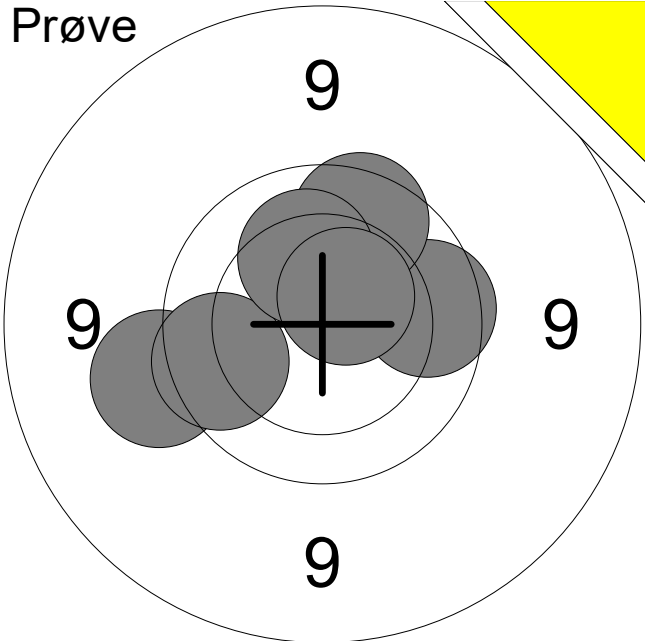
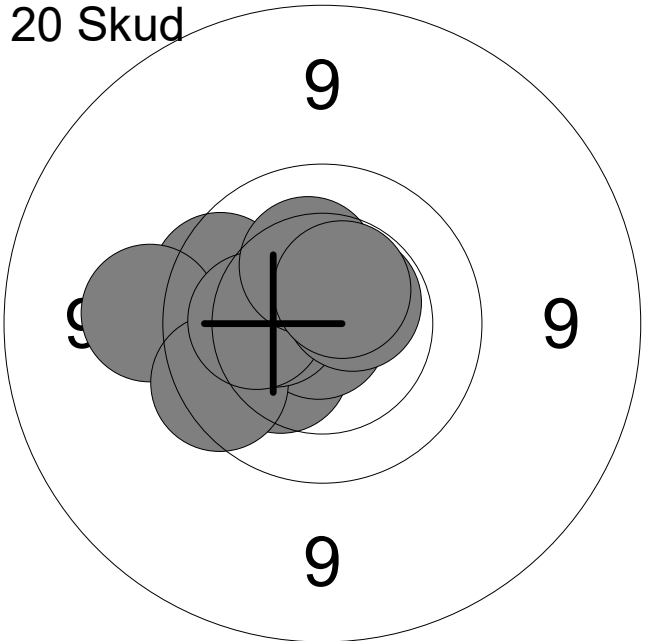
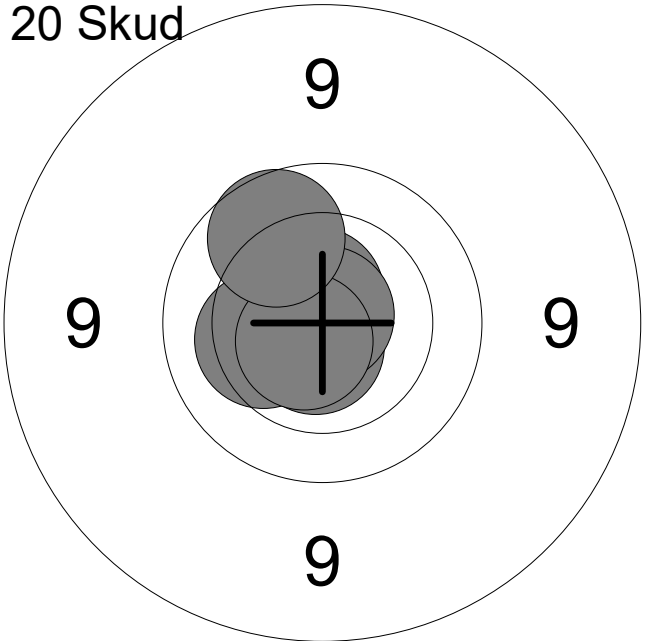
1:	9.9	↓
2:	10.1	↓
3:	10.2	↓
4:	10.2	↓
5:	10.5	↗
6:	10.9x	→
<b>Serie</b>		<b>59 ( 1x)</b>
<b>Total</b>		<b>0 ( 0x)</b>

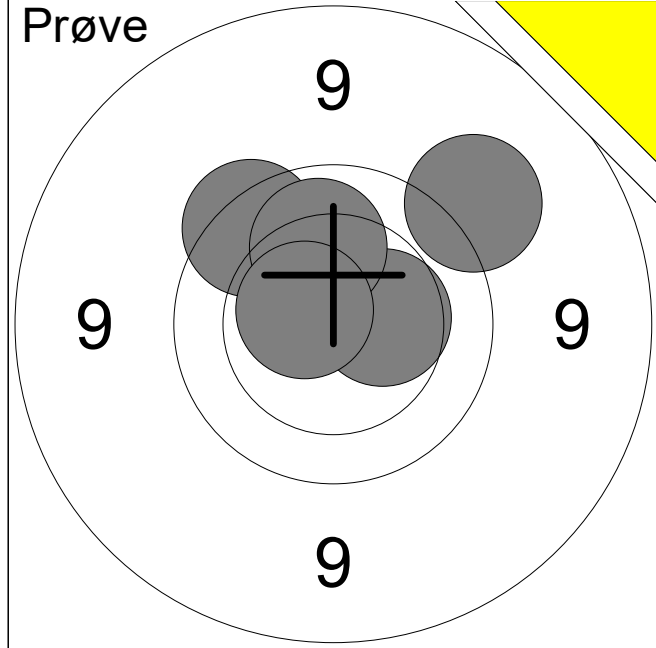


1:	10.6x	←
2:	9.2	↗
3:	10.6x	←
4:	10.3	↘
5:	9.6	↗
6:	10.5	↗
7:	10.1	←
8:	10.5	↓
9:	10.4	→
10:	9.7	↗
<b>Serie</b>		<b>97 ( 2x)</b>
<b>Total</b>		<b>97 ( 2x)</b>

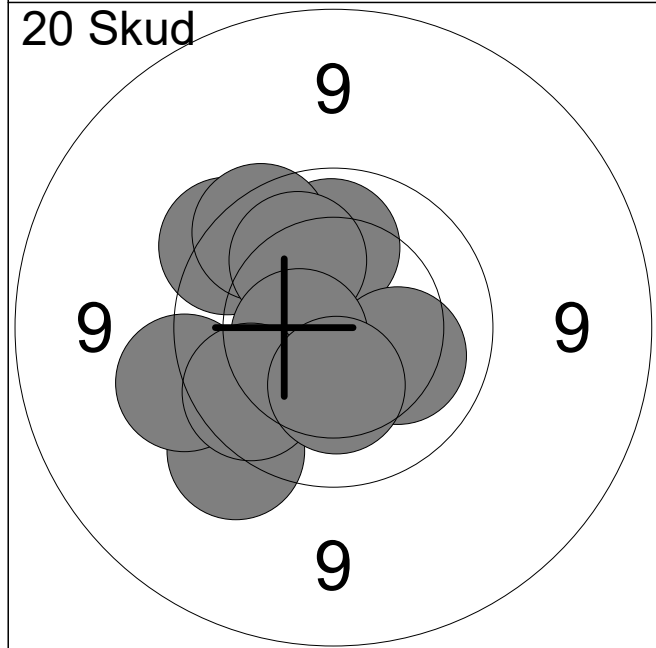


11:	9.7	↗
12:	9.7	↗
13:	9.6	↘
14:	9.4	↘
15:	9.7	↗
16:	9.7	↑
17:	10.2	→
18:	10.7x	←
19:	10.5x	←
20:	10.1	←
<b>Serie</b>		<b>94 ( 2x)</b>
<b>Total</b>		<b>191 ( 4x)</b>

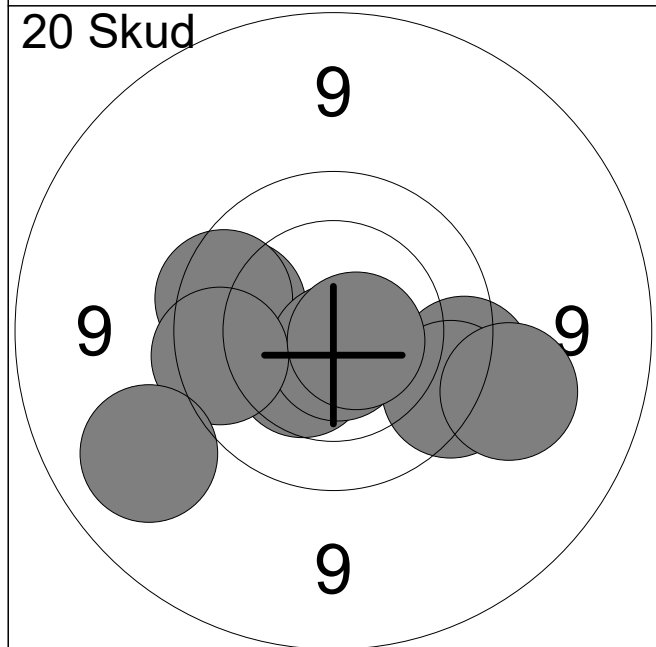
Hold <b>32</b>	Skive <b>9</b>	<b>Hans Granholm</b>		
ØSF		Frederikssund Skytteforening, I		MSE3
18.11.2024		Ølstykke Skydningen 2024	Ølstykke skytteforening	
<b>Prøve</b> 		1: 9.4 ← 2: 9.9 → 3: 9.8 ← 4: 9.8 ↑ 5: 10.2 ↑ 6: 10.5x ↗		
		Serie		56 ( 1x)
		Total		0 ( 0x)
<b>20 Skud</b> 		1: 9.8 ← 2: 10.3 ↙ 3: 10.9x ↓ 4: 9.4 ← 5: 9.8 ↙ 6: 10.4 ← 7: 10.2 ← 8: 10.5x ↗ 9: 10.3 ↑ 10: 10.5x ↗		
		Serie		97 ( 3x)
		Total		97 ( 3x)
<b>20 Skud</b> 		11: 10.7x ↓ 12: 10.6x ↑ 13: 10.9x ↗ 14: 10.3 ← 15: 10.7x ↙ 16: 9.9 ↖		
		Serie		59 ( 4x)
		Total		156 ( 7x)



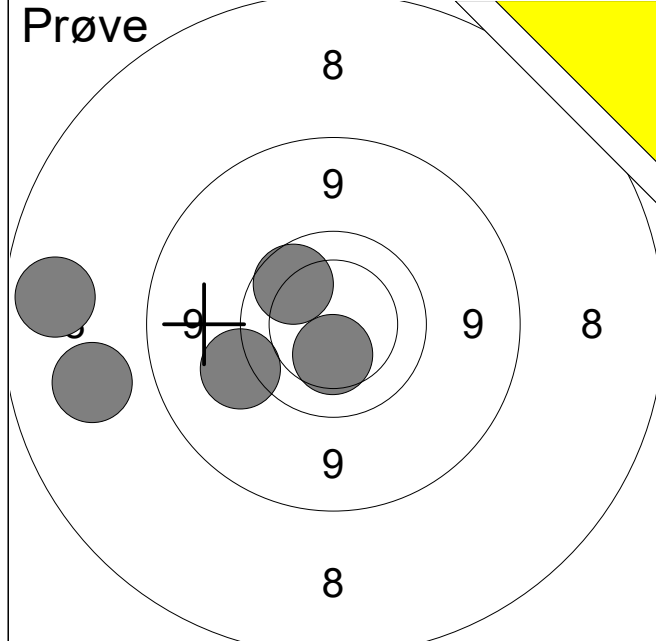
1:	9.7	↗
2:	10.4	→
3:	9.4	↗
4:	10.1	↑
5:	10.6x	↖
<b>Serie</b>		<b>48 ( 1x)</b>
<b>Total</b>		<b>0 ( 0x)</b>



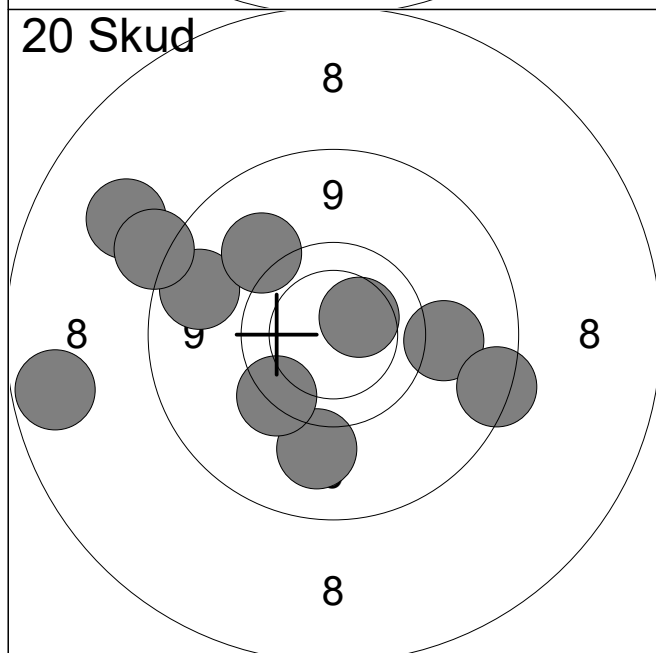
1:	10.1	↑
2:	9.5	↙
3:	9.7	↗
4:	9.8	↗
5:	10.2	→
6:	9.5	←
7:	10.1	↗
8:	10.6x	←
9:	9.9	↙
10:	10.3	↓
<b>Serie</b>		<b>95 ( 1x)</b>
<b>Total</b>		<b>95 ( 1x)</b>



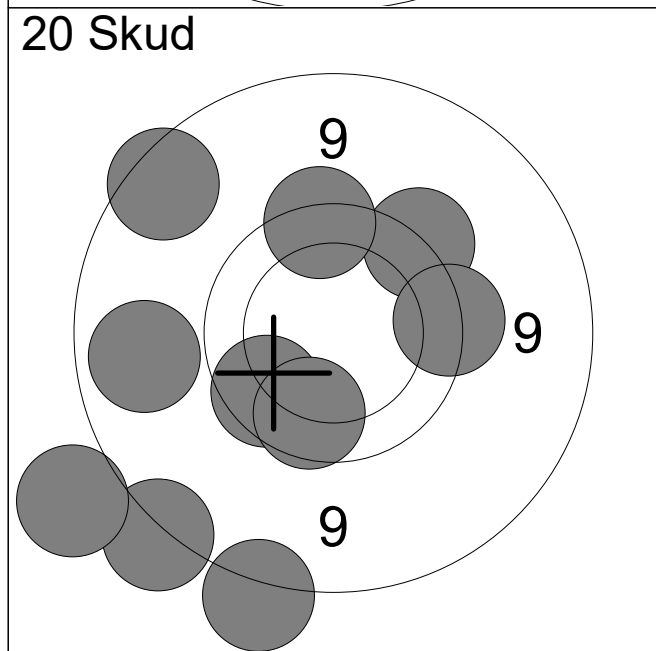
11:	10.4	↙
12:	9.9	←
13:	9.8	↖
14:	10.7x	↓
15:	9.7	→
16:	9.7	↘
17:	9.4	↘
18:	9.8	←
19:	10.7x	→
20:	9.1	↙
<b>Serie</b>		<b>93 ( 2x)</b>
<b>Total</b>		<b>188 ( 3x)</b>



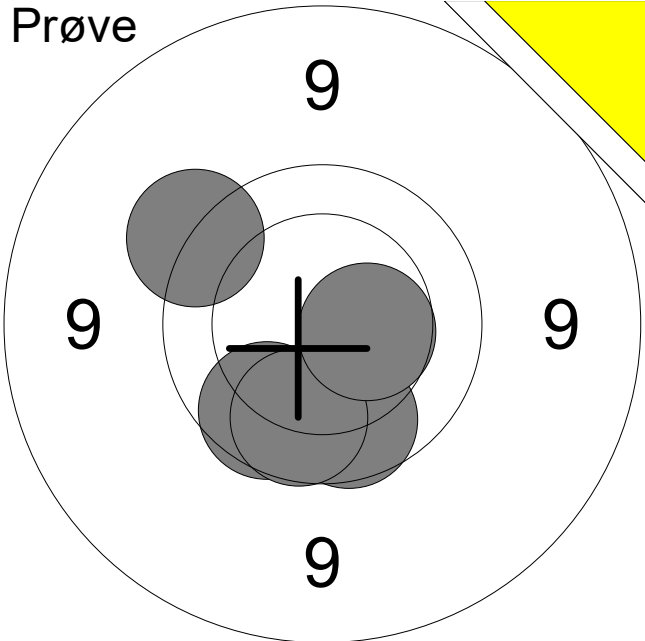
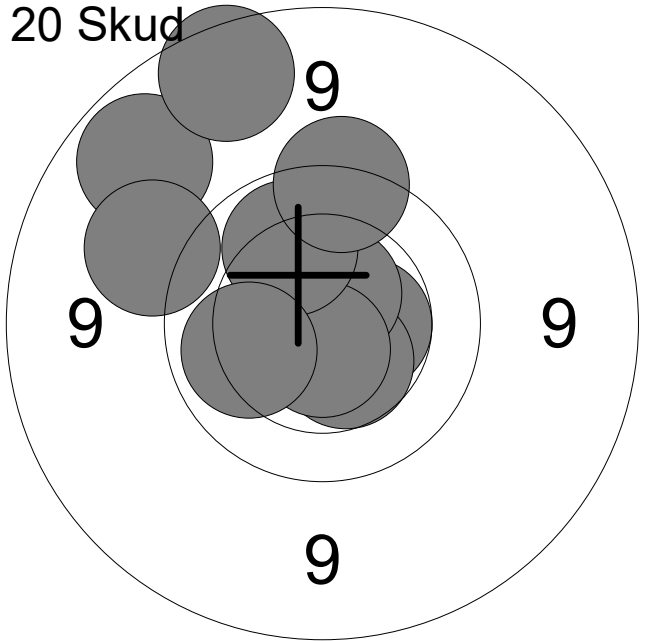
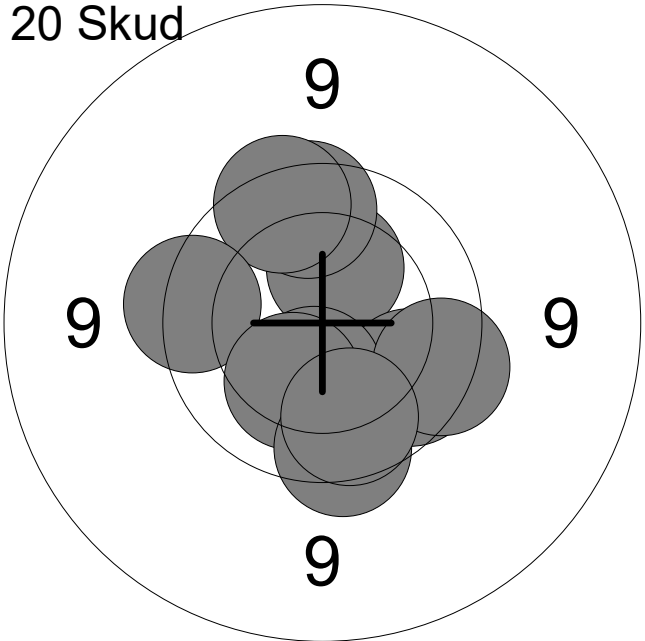
1:	9.9	↗
2:	9.4	↖
3:	8.2	↖
4:	10.4	↓
5:	8.0	↖
<b>Serie</b>		<b>44 ( 0x)</b>
<b>Total</b>		<b>0 ( 0x)</b>

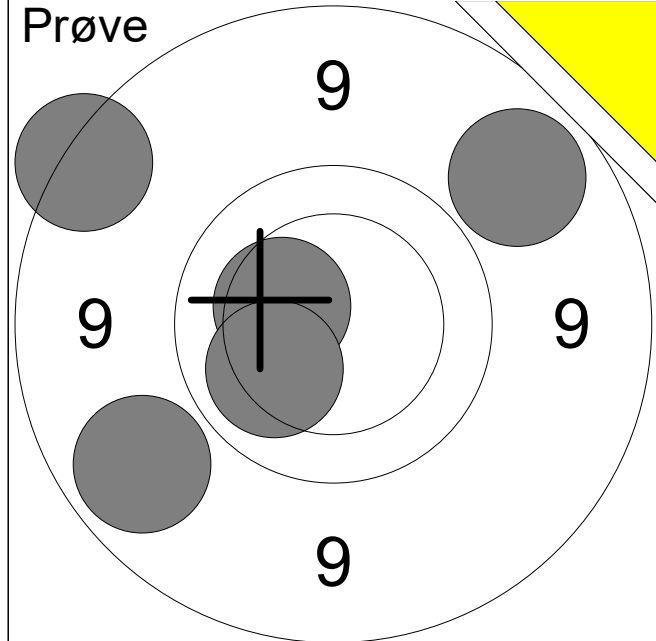


1:	9.0	↖
2:	8.3	↗
3:	10.4	↗
4:	8.0	↖
5:	9.3	↓
6:	9.3	→
7:	8.8	↗
8:	8.6	↖
9:	9.3	↗
10:	9.6	↘
<b>Serie</b>		<b>87 ( 0x)</b>
<b>Total</b>		<b>87 ( 0x)</b>

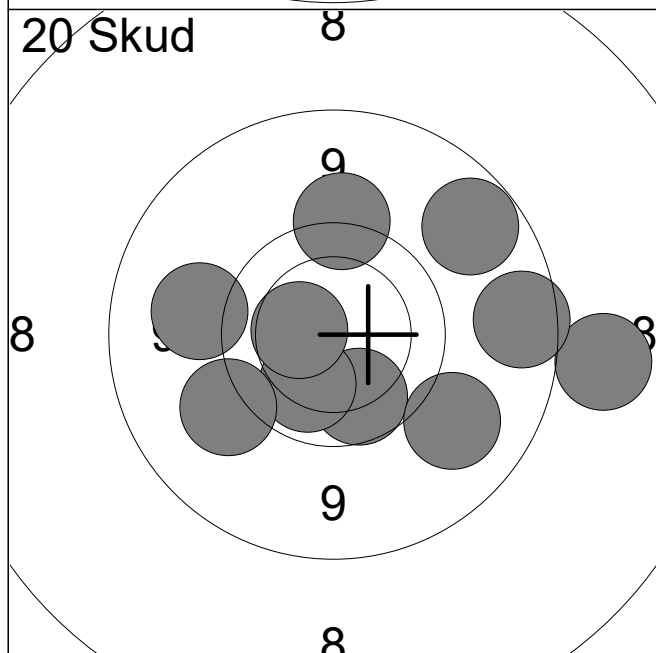


11:	9.6	↗
12:	8.6	↓
13:	9.8	↖
14:	9.9	↓
15:	9.7	↑
16:	8.8	↗
17:	9.6	→
18:	9.1	↖
19:	8.6	↘
20:	8.4	↖
<b>Serie</b>		<b>86 ( 0x)</b>
<b>Total</b>		<b>173 ( 0x)</b>

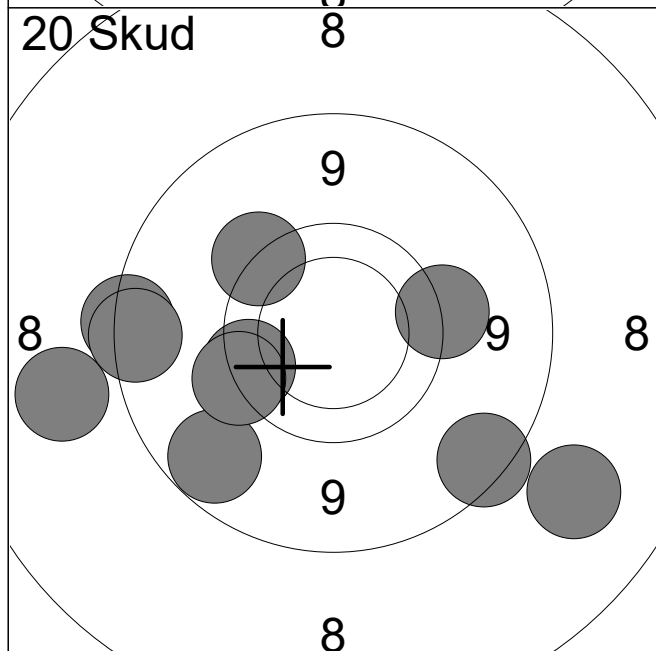
Hold <b>32</b>	Skive <b>12</b>	<b>Michelle Shawnley</b>		
ØSF		Ramløse Idrætsforening Skydning		MÅ3
18.11.2024		Ølstykke Skydningen 2024		Ølstykke skytteforening
<b>Prøve</b> 		1: 9.9		↙
		2: 9.9		↓
		3: 9.9		↘
		4: 10.4		→
		5: 9.6		↗
		<b>Serie</b>		<b>46 ( 0x)</b>
		<b>Total</b>		<b>0 ( 0x)</b>
<b>20 Skud</b> 		1: 10.5		→
		2: 10.5		↘
		3: 10.6x		↑
		4: 10.7x		↓
		5: 10.0		↑
		6: 9.0		↗
		7: 9.6		↑
		8: 9.3		↖
		9: 8.9		↑
		10: 10.1		←
		<b>Serie</b>		<b>95 ( 2x)</b>
		<b>Total</b>		<b>95 ( 2x)</b>
<b>20 Skud</b> 		11: 10.3		↑
		12: 9.9		↘
		13: 9.8		↑
		14: 10.4		↓
		15: 9.7		↑
		16: 9.7		←
		17: 10.2		↘
		18: 9.7		↓
		19: 9.7		→
		20: 9.9		↓
		<b>Serie</b>		<b>93 ( 0x)</b>
		<b>Total</b>		<b>188 ( 2x)</b>



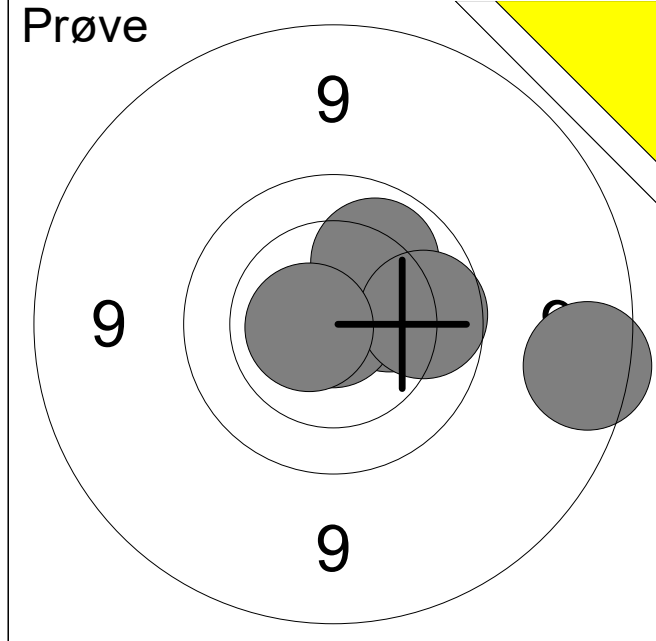
1:	9.0	↗
2:	10.3	↖
3:	8.8	↗
4:	10.1	↖
5:	9.0	↖
<b>Serie</b>		<b>46 ( 0x)</b>
<b>Total</b>		<b>0 ( 0x)</b>



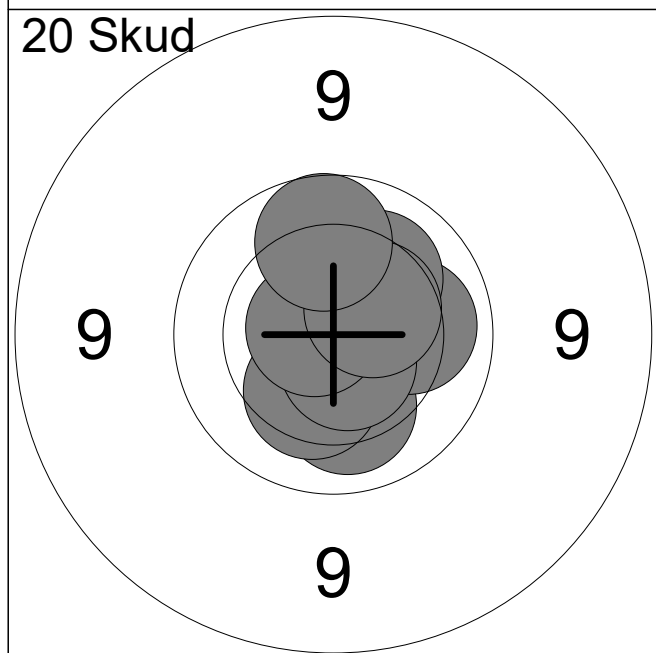
1:	8.4	→
2:	9.5	↑
3:	9.3	↖
4:	9.0	↗
5:	9.9	↓
6:	9.2	↓
7:	10.1	↓
8:	8.9	→
9:	10.4	↖
10:	9.4	↙
<b>Serie</b>		<b>90 ( 0x)</b>
<b>Total</b>		<b>90 ( 0x)</b>



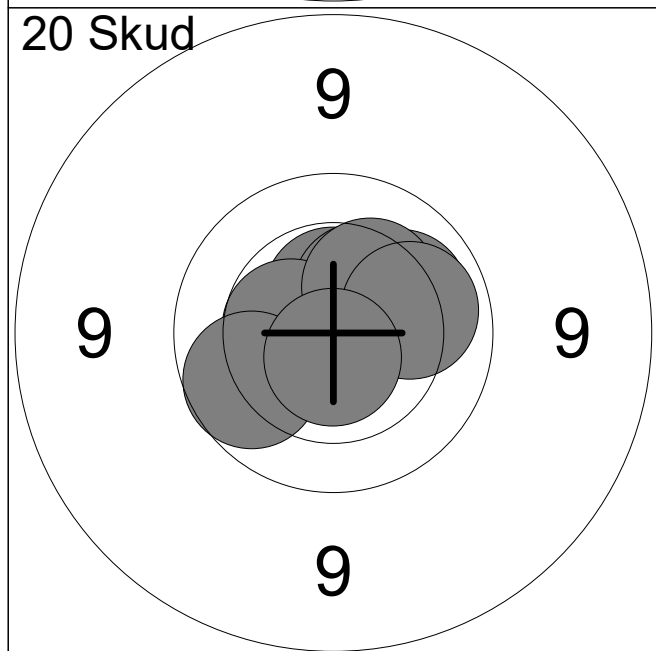
11:	8.7	↖
12:	8.3	↘
13:	8.8	↘
14:	8.3	↖
15:	9.6	↗
16:	8.8	↖
17:	9.5	→
18:	9.7	↖
19:	9.0	↘
20:	9.6	↙
<b>Serie</b>		<b>85 ( 0x)</b>
<b>Total</b>		<b>175 ( 0x)</b>



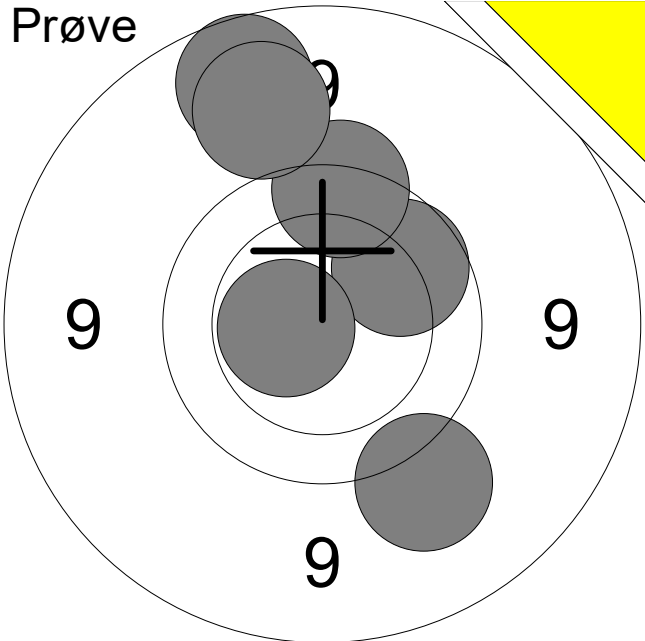
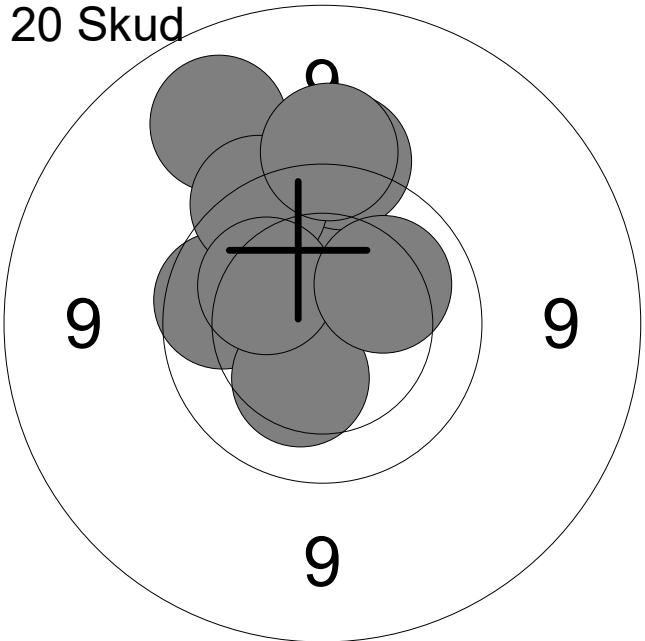
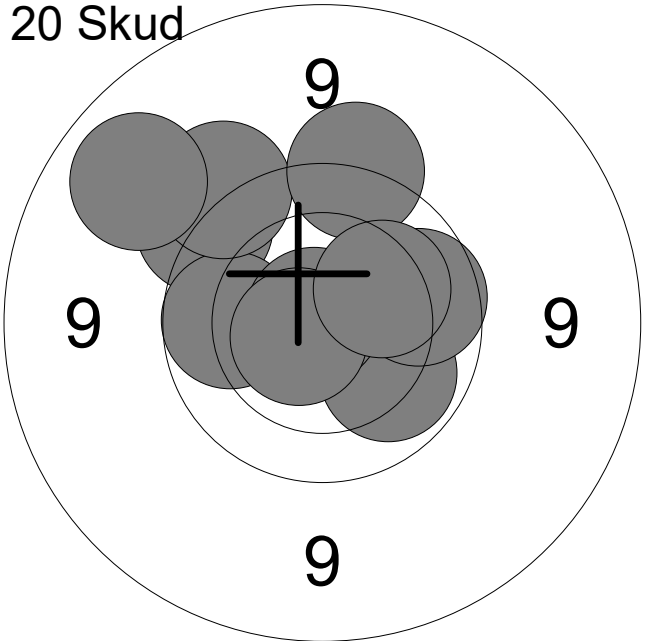
1:	8.9	→
2:	10.3	→
3:	10.9x	↖
4:	10.1	↗
5:	9.9	→
6:	10.7x	←
<b>Serie</b>		<b>57 ( 2x)</b>
<b>Total</b>		<b>0 ( 0x)</b>



1:	10.2	↓
2:	10.8x	↑
3:	10.1	→
4:	10.8x	↓
5:	10.3	↓
6:	10.6x	↓
7:	10.2	↗
8:	10.7x	←
9:	10.4	↗
10:	9.9	↑
<b>Serie</b>		<b>99 ( 4x)</b>
<b>Total</b>		<b>99 ( 4x)</b>



11:	10.9x	↓
12:	10.5x	↑
13:	10.1	→
14:	10.4	↗
15:	10.7x	→
16:	10.5	←
17:	10.3	↗
18:	10.1	→
19:	9.9	←
20:	10.7x	↓
<b>Serie</b>		<b>99 ( 4x)</b>
<b>Total</b>		<b>198 ( 8x)</b>

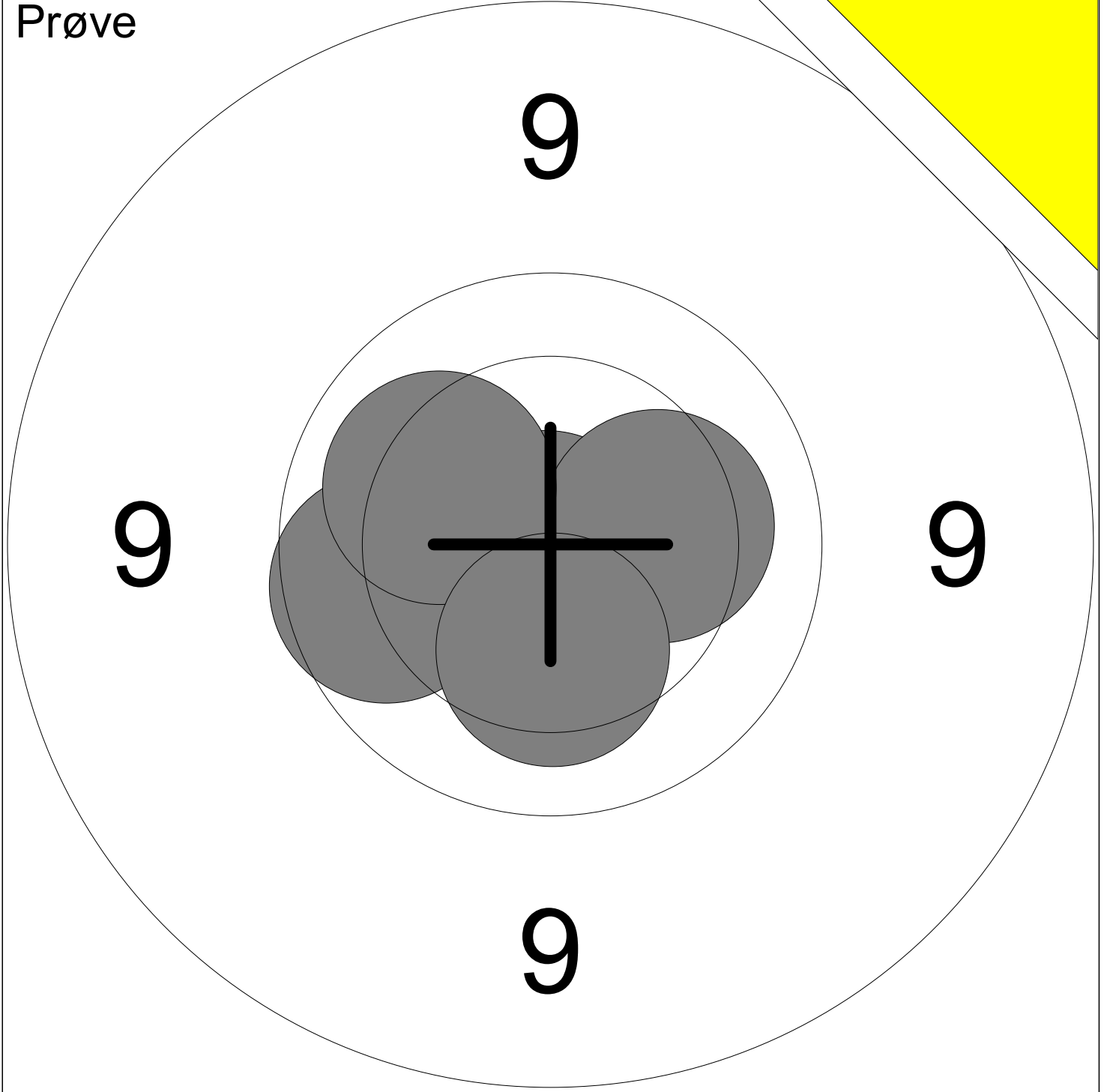
Hold <b>33</b>	Skive <b>7</b>	<b>Andreas Mortensen</b>		
ØSF		Ølstykke Skytteforening		MJ2
18.11.2024		Ølstykke Skydningen 2024		Ølstykke skytteforening
<b>Prøve</b> 		1: 9.9	↗	
		2: 9.3	↘	
		3: 9.7	↑	
		4: 10.5x	←	
		5: 8.9	↑	
		6: 9.1	↑	
		<b>Serie</b>	<b>54 ( 1x)</b>	
		<b>Total</b>	<b>0 ( 0x)</b>	
<b>20 Skud</b> 		1: 9.8	↑	
		2: 9.5	↑	
		3: 9.1	↑	
		4: 10.2	←	
		5: 9.9	←	
		6: 10.3	↘	
		7: 9.7	↑	
		8: 10.2	↗	
		9: 9.4	↑	
		10: 10.2	↗	
		<b>Serie</b>	<b>94 ( 0x)</b>	
		<b>Total</b>	<b>94 ( 0x)</b>	
<b>20 Skud</b> 		11: 9.6	↗	
		12: 9.9	←	
		13: 9.5	↗	
		14: 9.1	↗	
		15: 10.0	↘	
		16: 10.8x	↗	
		17: 10.6x	←	
		18: 9.9	→	
		19: 9.5	↑	
		20: 10.2	↗	
		<b>Serie</b>	<b>94 ( 2x)</b>	
		<b>Total</b>	<b>188 ( 2x)</b>	

Hold <b>33</b>	Skive <b>9</b>	
-------------------	-------------------	--

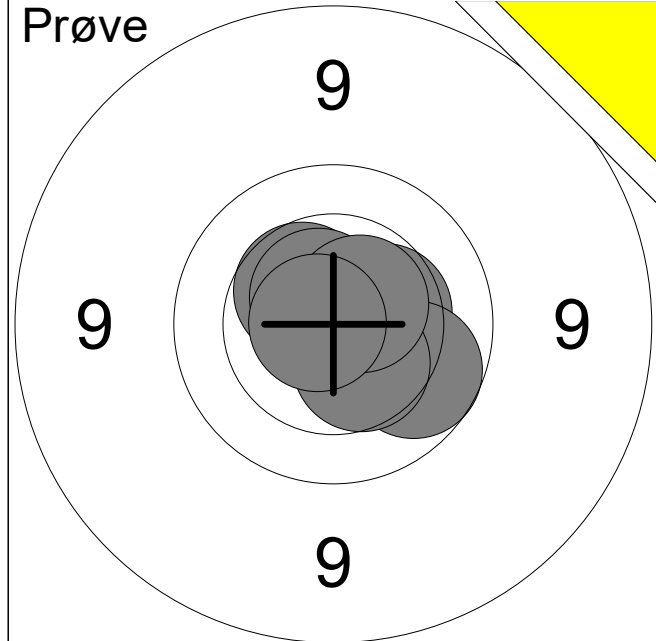
ØSF

18.11.2024      Ølstykke Skydningen 2024      Ølstykke skytteforening

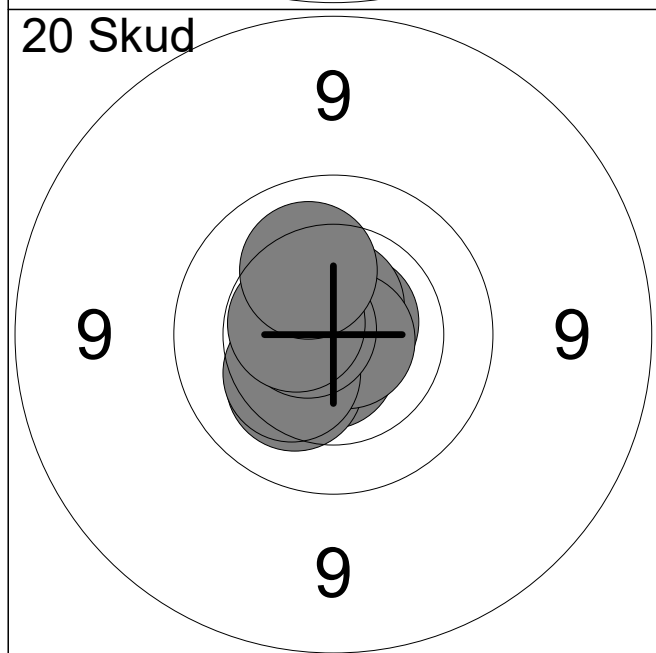
# Prøve



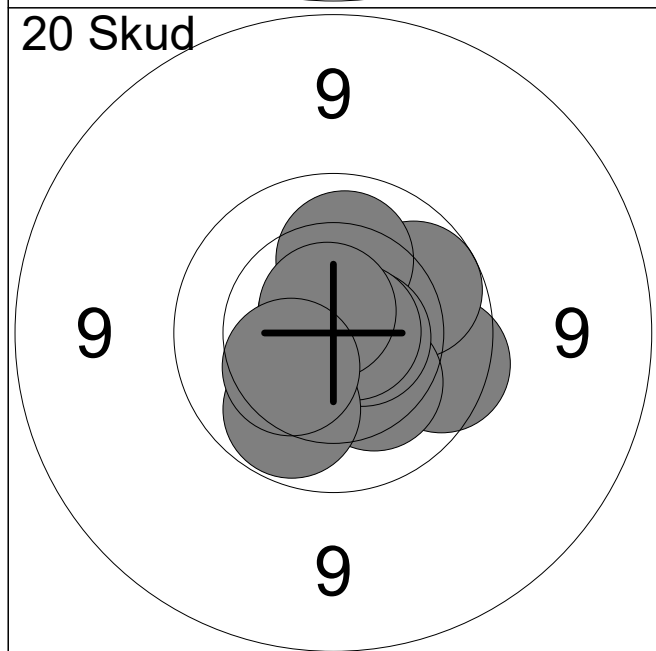
1:	10.9x	↙	Serie	49 ( 1x)
2:	10.2	→		
3:	9.9	↙	Total	0 ( 0x)
4:	10.1	↖		
5:	10.3	↓		



1:	10.3	→
2:	10.4	→
3:	10.4	↗
4:	10.6x	→
5:	10.6x	↗
6:	9.9	↘
7:	10.4	↘
8:	10.6x	↗
9:	10.8x	←
<b>Serie</b>		<b>89 ( 4x)</b>
<b>Total</b>		<b>0 ( 0x)</b>



1:	10.7x	↓
2:	10.3	↘
3:	10.5x	←
4:	10.7x	↗
5:	10.6x	↑
6:	10.8x	→
7:	10.3	↘
8:	10.7x	←
9:	10.5x	←
10:	10.2	↗
<b>Serie</b>		<b>100 ( 7x)</b>
<b>Total</b>		<b>100 ( 7x)</b>



11:	9.8	→
12:	10.0	↗
13:	10.1	↑
14:	10.8x	↗
15:	10.2	↘
16:	10.6x	→
17:	10.7x	→
18:	10.0	↘
19:	10.7x	↑
20:	10.3	↘
<b>Serie</b>		<b>99 ( 4x)</b>
<b>Total</b>		<b>199 (11x)</b>